

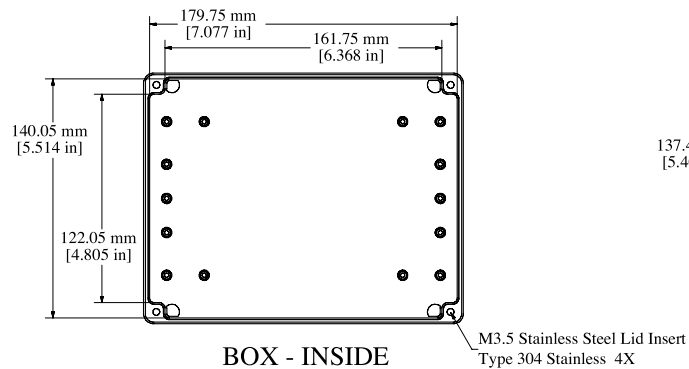
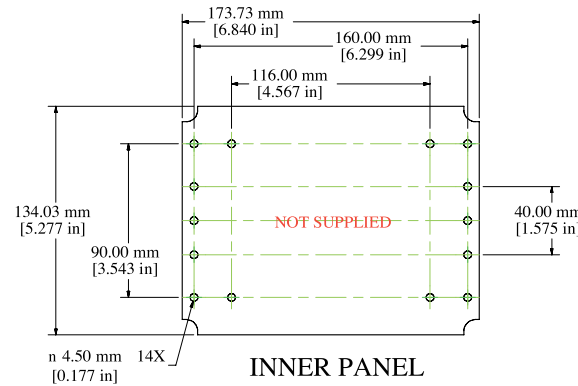
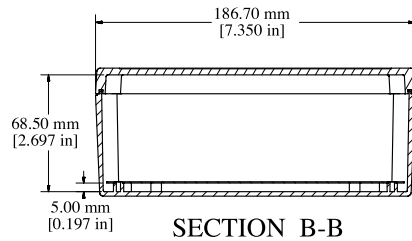
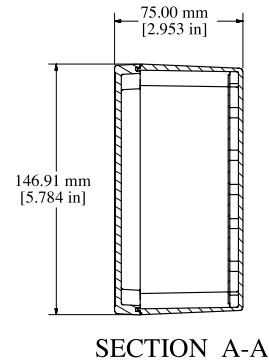
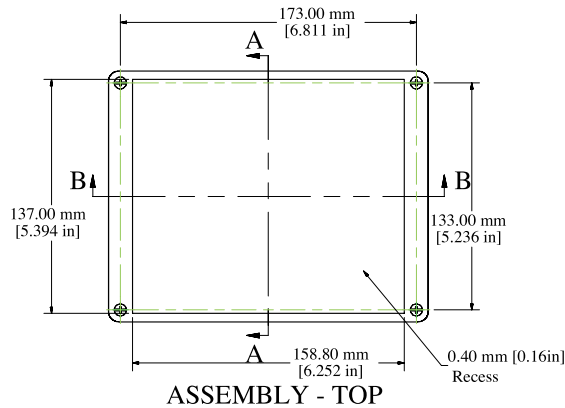
# ALTRONICS Specification Sheet

Phone: 1300 797 007    Internet: [www.altronics.com.au](http://www.altronics.com.au)  
 Fax: 1300 789 777    Email: [info@altronics.com.au](mailto:info@altronics.com.au)  
 International Phone: +61 8 9428 2188

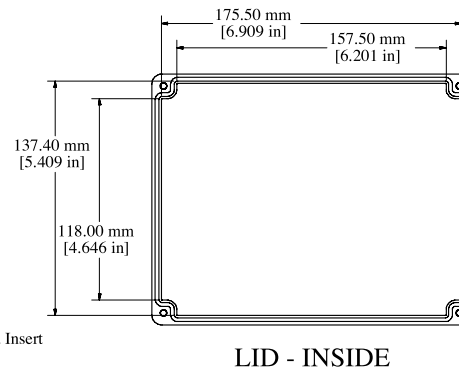
Manufactures please note, we recommend that a sample is obtained to confirm suitability. Specifications subject to change without notice.E&OE. © Altronic Distributors Pty. Ltd. ABN 84 177 396 871

Revision Date: 30/03/2010

Altronics Part Number	Description	Supplier Ordering Info
H 0310	Ritec® IP65 Sealed ABS Enclosure 186L x 146W x 75H (Grey Lid & Grey Base)	RP1285 ROHS
H 0330	Ritec® IP65 Sealed ABS Enclosure 186L x 146W x 75H (Clear Lid & Grey Base)	RP1285C ROHS



M3.5 Stainless Steel Lid Insert  
Type 304 Stainless 4X



RP1285
Material: ABS (UL94-HB), Light Grey Color
Lid Screws: M3.5 x 10, 304 Stainless
Gasket: EDPM Cord.
Circuit Board Screws, 4 Supplied (M3 self tap)
Suggested Lid Screw Torque: 30 ozf-in (21 cN-m)

Measurements given in mm.