

Product Guide**A 4488** 4 Zone Paging Microphone

A 4488 4 Zone Paging Microphone



Overview

An elegant desktop four zone paging mic with pre-announcement chime and balanced line level output. It allows the operator to manually select any zone or any combination of zones. Also includes an all call & cancel button. Connections for remote power (24V dc) and the balanced audio output are via an 8 pin RJ45 socket which is connected to any of the compatible Redback audio products listed below. Output volume is adjustable and the unit has an inbuilt pre-announcement chime. The high level balanced output allows transmission over 300m without interference. Suits for line level or 100V line zone switching. Operates as a stand alone paging solution or in conjunction with the compatible Redback products listed below. Requires 24V DC plugpack.

Key Features

- ✓ **Australian made**
- ✓ **10 year manufacturer warranty with local product support**
- ✓ Four zones of paging.
- ✓ High level balanced output via Cat 5 cable
- ✓ 3.5mm BGM input on rear
- ✓ 24V DC power supplied via Cat 5 cable *
- ✓ Pre-announcement chime.
- ✓ Chime volume adjustment
- ✓ Mic volume adjustment
- ✓ BGM volume adjustment

Compatible Redback Products

- A 4469/89/89A** Four Zone Relay Audio Switcher Unit.
- A 4580** Paging System Controller.
- A 4270** Public Address (PA) Mixer Amplifier 125W 100V 4 Zone.
- A 4280** Public Address (PA) Mixer Amplifier 250W 100V 4 Zone.

About Redback® Public Address Products

Redback® products are proudly designed, engineered and manufactured in Australia.

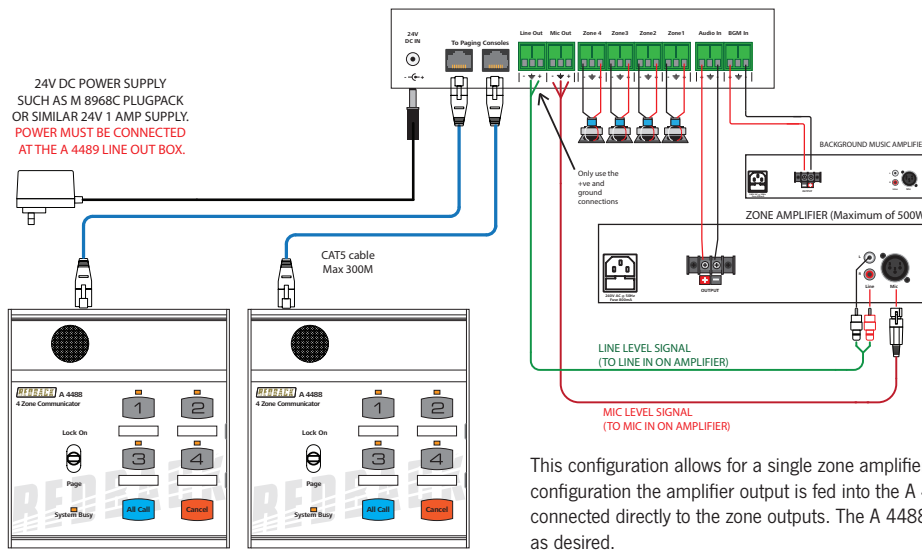
Each unit is covered by a comprehensive 10 year parts and labour warranty. Redback® offers rock solid reliability from over 30 years experience in the commercial sound industry. Redback® offer locally available servicing and parts, plus the ability to offer feedback direct to the manufacturer.

Product Guide

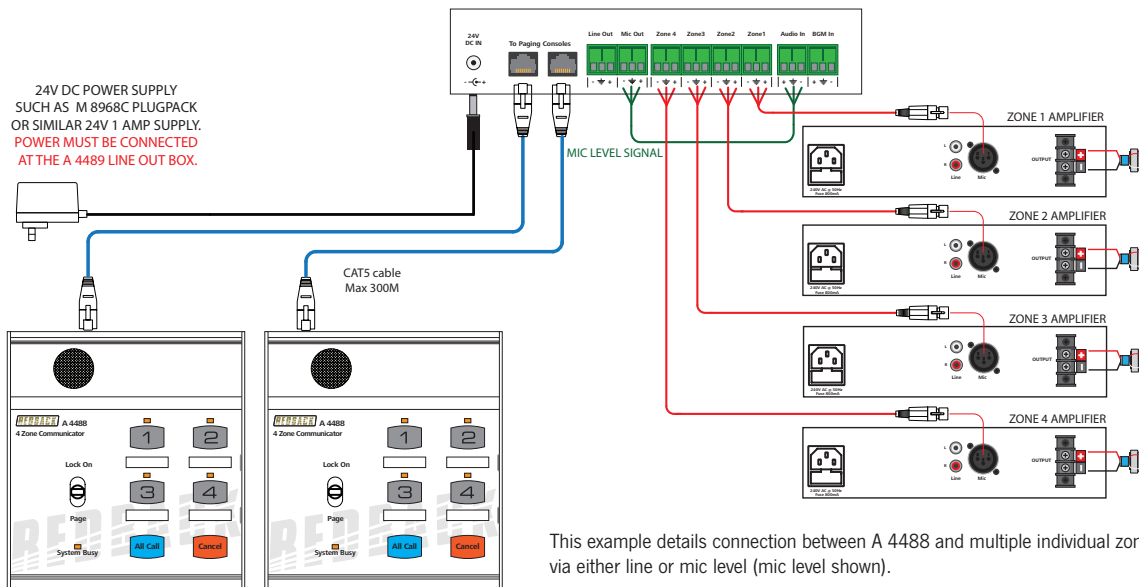
A 4488 4 Zone Paging Microphone



Example Connections



This configuration allows for a single zone amplifier powering all zones at once. In this configuration the amplifier output is fed into the A 4469/89A and speaker circuits are connected directly to the zone outputs. The A 4488 can then be used to page each zone as desired.



This example details connection between A 4488 and multiple individual zone amplifiers via either line or mic level (mic level shown).

Specifications

Electrical

Impedance:	500Ω
Sensitivity:	-76dB ±3dB
Mic frequency response:	100Hz - 10kHz
Mic polar pattern:	Cardioid (unidirectional)
Power supply:	24V DC

Mechanical

Mic gooseneck:	≈325mm
Base unit (mm):	137L x 113W x 59H

Architect Specifications

The paging console shall page to four zones with pre-announcement chime and balanced line level output. It shall be fitted with an all-call button and cancel button. It shall be connected via UTP data cabling with a maximum distance of 300m. It shall have adjustable output level. The paging console shall be REDBACK model A 4488.