

Product Guide**C 0720** Surface Mount 200mm (8") 100V 15W Ceiling Speaker White**C 0721** Surface Mount 200mm (8") 100V 15W Ceiling Speaker Black

200mm (8") 15W One Shot® Surface Mount EWIS Speakers

- ✓ High power 15W output for increased SPL
- ✓ Excellent speech intelligibility
- ✓ High quality speaker driver developed for BGM and paging applications.
- ✓ Patented 6 way latching ensures a neat, sag free installation.
- ✓ Fitted with 4 way wire protect terminal block for loop in, loop out wiring.
- ✓ Fitted with supervisory capacitor for line monitoring.
- ✓ High impact enclosure & grille.
- ✓ 5 year warranty.



Application

C 0720 and C 0721 are high power PA speakers designed for BGM and paging installations requiring high SPL output. They are moulded from industrial grade, high impact polystyrene and designed to mount directly to the underside of concrete slabs or inaccessible ceilings. The housing utilises the One-Shot® mounting system for reduced installation time. They are ideal for use in plant rooms, warehouses, shopping centres, malls etc.

About Redback® Speaker Drivers

Each custom designed speaker and transformer combination has been specifically engineered to ensure a wide frequency range and dispersion angle, plus a high sound pressure level (SPL) ensuring excellent music and speech intelligibility; which is critical for emergency paging applications.

Each transformer is fitted with multiple power settings which are user selectable via taps on the transformer. For reference, the transformer safety cover is imprinted with power selection information.

The Labour Saving One-Shot® Mounting System

Redback® "One-Shot®" speaker units install in seconds providing substantial labour cost savings for the professional installer compared to traditional mounting methods.

They simply snap fit to the outer mounting ring by means of the integral pressure clips. The snap clip material is formulated to retain long service life strength and spring action, ensuring a firm vibration free fit.

Speaker cable entry can be either from the rear, or via surface mounted conduit (four 19mm conduit knockouts are provided).

The neutral white RAL colour of C 0720 provides an architecturally unobtrusive finish to virtually any installation. C 0721 is fitted with a black grille for use on ceilings with a dark colour.

The transformer is fitted with a 4 way wire protect screw terminal block. This is suitable for loop in, loop out cabling. The cable can be secured to the in-built restraint plate with 100mm cable ties.

Manufacturing & Performance

Redback® drivers are engineered and manufactured to stringent specifications ensuring maximum reliability under all operating conditions. Each driver has a power rating well above the max tapping of the transformer, ensuring reliable operation and excellent longevity. A strict quality control procedure is employed during every step of the manufacturing process. Finally, every finished speaker is 100% QC checked prior to shipping.

Optional Conduit Mounting Plate

The C 0713 adaptor plate enables the C 0720 and C 0721 mounting rings to be fixed to a standard recessed conduit junction box without the need for drilling into the concrete slab, saving considerable installation time & hardware.



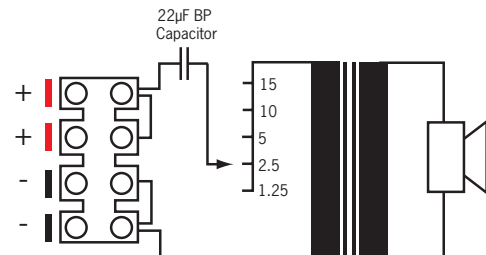
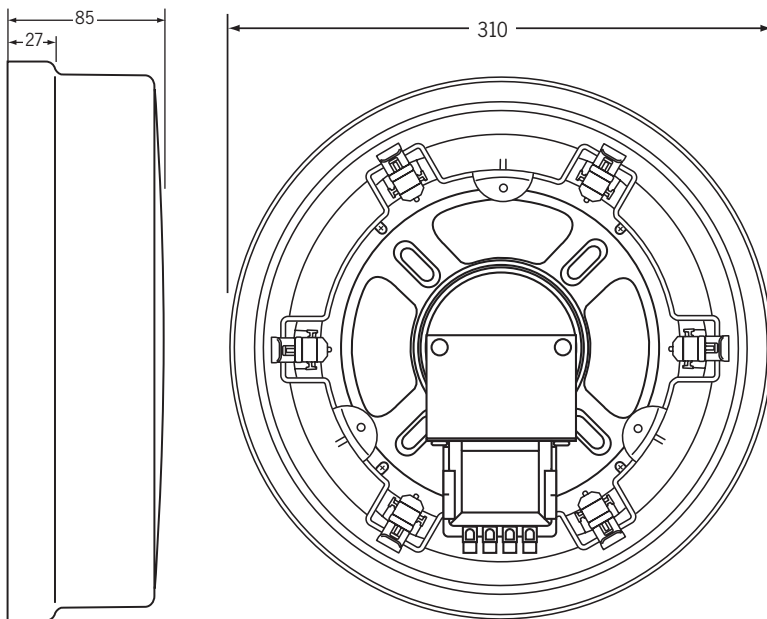
Product Guide

C 0720 Surface Mount 200mm (8") 100V 15W Ceiling Speaker White

C 0721 Surface Mount 200mm (8") 100V 15W Ceiling Speaker Black



Dimensions & Transformer Detail



Power tap shown selected to factory default setting.

Specifications

Electrical

| | |
|---------------------|---|
| Power taps: | 1.25, 2.5, 5, 10, 15W |
| SPL 1W @ 1m: | 95dB @ 1kHz (+/- 2dB) |
| Frequency response: | 80Hz-12kHz |
| Connection: | 4 way terminal block + 22uF bipolar capacitor |

Mechanical

| | |
|----------------------|-------------------------|
| Enclosure material: | High impact polystyrene |
| Driver construction: | Paper cone |
| Enclosure diameter: | 310mmØ |
| Depth: | 85mm |
| Overall weight: | 2kg |
| C 0720 Colour: | White |
| C 0721 Colour: | Black |

Environmental

| | |
|------------------------|----------------|
| Operating temperature: | -25°C to +55°C |
| Relative humidity: | < 95% |

Architect Specifications

C 0720

The surface mount speaker shall have a 200mm speaker driver which shall operate at 100V and have power taps of 15W, 10W, 5W, 2.5W and 1.25W. It shall have a SPL of 95dB (1W@1m). It shall have a 4 way wire protected terminal strip and be fitted with a 22uF bipolar capacitor for line monitoring. The speaker body shall be made of white high impact polystyrene and shall be surface mounted with concealed fixings. The surface mounting ring shall be provided with side and rear knockouts for conduit entry. The speaker driver shall be attached to the grill which shall be snap-fit attached to the surface mount ring. The ceiling mount speaker shall be a Redback model C 0720.

C 0721

The surface mount speaker shall have a 200mm speaker driver which shall operate at 100V and have power taps of 15W, 10W, 5W, 2.5W and 1.25W. It shall have a SPL of 95dB (1W@1m). It shall have a 4 way wire protected terminal strip and be fitted with a 22uF bipolar capacitor for line monitoring. The speaker body shall be made of black high impact polystyrene and shall be surface mounted with concealed fixings. The surface mounting ring shall be provided with side and rear knockouts for conduit entry. The speaker driver shall be attached to the grill which shall be snap-fit attached to the surface mount ring. The ceiling mount speaker shall be a Redback model C 0721.