

Wall Mount

C 0902

2-Way 3.5" 20W 100V/8 Ohm Wall Speakers White (pair)

Overview

These high power music speakers feature exceptional sound quality for professional sound reinforcement. The two way woofer & mylar dome tweeter combination employed offers excellent frequency response and clarity.

A high standard of music and speech reproduction ensures these speakers are suitable for both music sound reinforcement & paging.

Features

- Ideal for music sound reinforcement.
- Flexible 100V or 8 Ohm rotary switch selections.
- 2-way woofer & mylar dome tweeter combination for optimum frequency response and clarity.
- Stylish contoured profile with integrated adjustable mounting bracket.
- IP54 rated for outdoor, marine & tropical applications.
- Grilles & brackets constructed from marine grade aluminium.
- Long lasting powdercoat finish.
- Horizontal or vertical mounting

Testing

Redback® drivers are subject to strenuous factory testing reducing the risk of unit failure or performance reduction over time. Each driver has a power rating well above the max tapping of the transformer, ensuring reliable operation and excellent longevity.

Installation Guidelines

Each speaker is designed with a contoured enclosure providing a stylish finish to your installation - it virtually disappears once mounted. Thumbscrews allows easy adjustment once mounted to the wall.

The bracket suits both horizontal or vertical mounting.

Connection is via the recessed spring terminals. 100V line models provide multiple power taps and 8 ohm settings, easily selected via the inbuilt rotary switch.

These models are IP54 rated for outdoor, marine and tropical applications. Grilles and brackets are constructed from marine grade aluminium and painted with long lasting industrial strength powdercoat to withstand harsh environments.

REDBACK®



About Redback® Speaker Drivers

Each custom designed speaker and transformer combination has been specifically engineered to ensure a wide frequency range and dispersion angle, plus a high sound pressure level (SPL) ensuring excellent music and speech intelligibility. Redback® drivers exhibit optimum frequency response and efficiency for BGM, paging and EWIS applications. The transformers are wound on professional grade grain oriented steel cores for high efficiency and extended frequency response. Each transformer is fitted with multiple power tapings which are selected via rotary switch on rear of each speaker.

Wall Mount

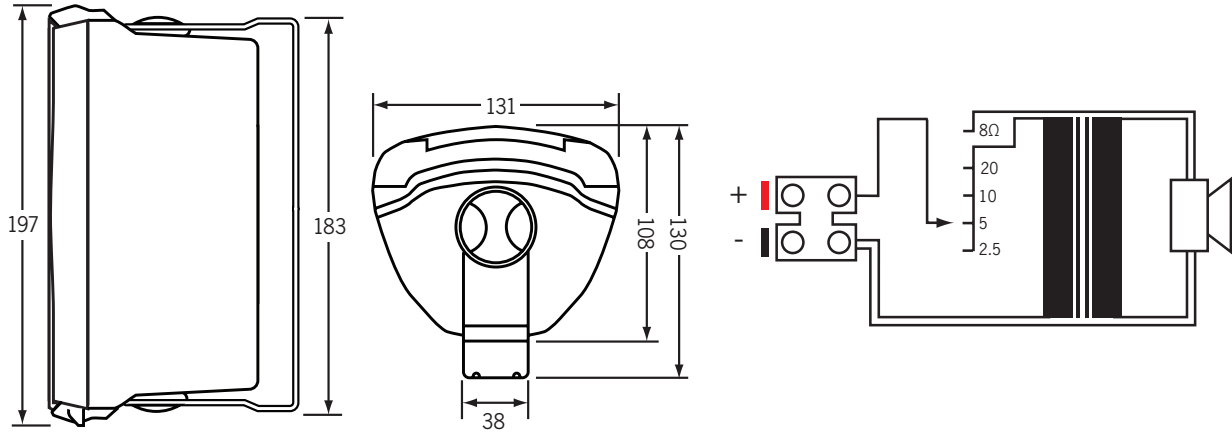
C 0902

2-Way 3.5" 20W 100V/8 Ohm

Wall Speakers White (pair)



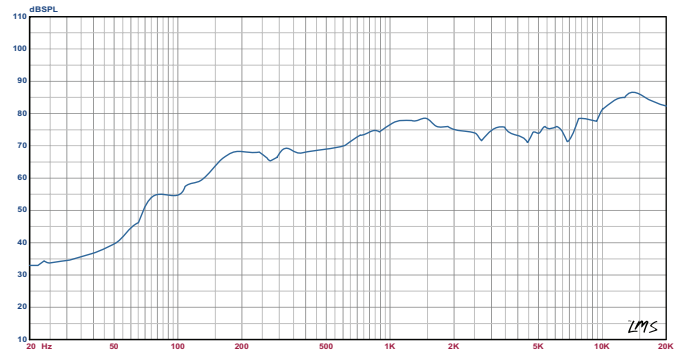
Transformer Detail



Specifications

Electrical	
Power Taps	2.5, 5, 10, 20W
Low Impedance Power Taps	8 Ohm (30W)
SPL 1W @ 1m	87dB @ 1kHz (+/-2dB)
Frequency response	82Hz-20kHz
Connection	Recessed spring terminals
Mechanical	
Grille Material	Aluminium mesh
Mounting Depth (from wall surface)	130mm 2.2kg
Overall Weight	
Environmental	
Operating Temperature	-25°C to +55°C
Relative Humidity	<95%

Frequency Response (SPL 1W @ 1m)



Architect Specifications

The bookshelf speaker shall consist of a white enclosure incorporating a 3.5" bass driver and mylar dome tweeter. It shall be fitted with a 100V transformer with power taps of 20W, 10W, 5W and 2.5W. It shall also have a setting for 8 ohm connection. It shall have a frequency response of 82Hz to 20 kHz and SPL of 87dB. Line connection shall be by spring terminals. Power setting shall be via inbuilt rotary switch. Mounting bracket and perforated grill will be powder coated aluminium. The bookshelf speaker system shall be a REDBACK model C 0902.