

**Product Guide****C 2026** 25W 8 Ohm IP65 Rated Horn Speaker

# C 2026 25W Weatherproof Horn Speaker

- ✓ Tough UV stabilised high impact ABS construction
- ✓ Durable powdercoated mounting bracket
- ✓ Nickel Chrome plated bolts & fixings
- ✓ Exceptional speech reproduction
- ✓ Voice coil wound on aluminium bobbin for extra efficiency
- ✓ Suitable for indoor or outdoor use
- ✓ High 122dB SPL forceful and effective sound penetration
- ✓ Suitable for indoor or outdoor use



## Application

This Redback® sound projector is made from strong UV stabilised ABS plastic with a perforated metal grille.

Its wide dynamic range facilitates use with both paging and background music applications eg: sports stadiums, train station platforms, shopping centres, aquatic arenas, etc.

## Installation Guidelines

The C 2026 is an 8 ohm horn speaker designed for direct connection to a commercial amplifier with an 8 ohm output. It is fitted with a 600mm twin core cable.

The speaker is supplied with a zinc plated bracket and fixings ensuring rust-free performance even in harsh environments.

The neutral grey RAL colour of C 2026 provides an architecturally unobtrusive finish to virtually any installation.

## About Redback® Speaker Drivers

Each custom designed speaker and transformer combination has been specifically engineered to ensure a wide frequency range and dispersion angle, plus a high sound pressure level (SPL) ensuring excellent music and speech intelligibility; which is highly desirable.

Redback® drivers exhibit optimum frequency response and efficiency for BGM, paging and EWIS applications. The transformers are wound on professional grade grain oriented steel cores for high efficiency and extended frequency response.

## Testing

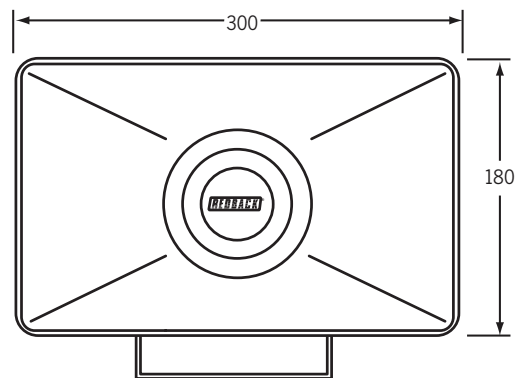
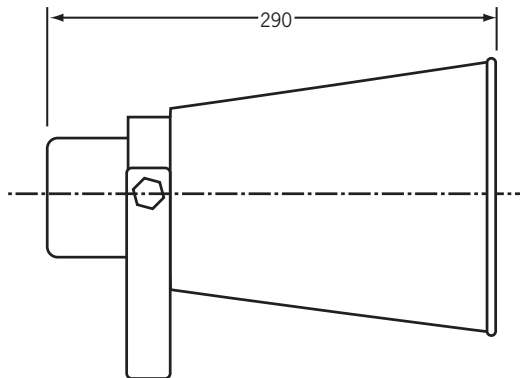
Redback® drivers are subject to strenuous factory testing reducing the risk of unit failure or performance reduction over time. Each driver has a power rating well above the max tapping of the transformer, ensuring reliable operation and excellent longevity.

## Product Guide

C 2026 25W 8 Ohm IP65 Rated Horn Speaker



### Dimension Detail



### Specifications

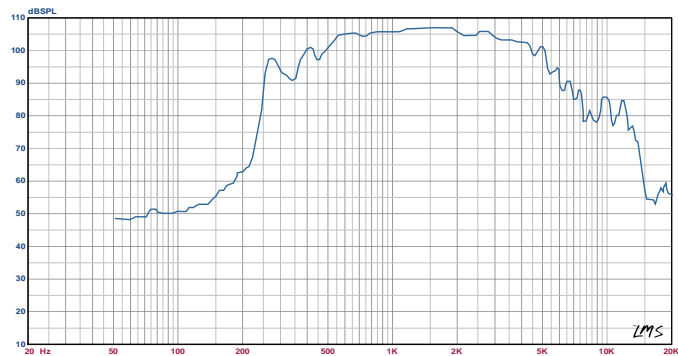
#### Electrical

Impedance:	8Ω
Power handling	25W
SPL 1W @ 1m:	108dB @ 1kHz (+/- 2dB)
SPL full power @ 1m:	122dB @ 1kHz (+/- 2dB)
Frequency response:	250Hz-10kHz
Dispersion angle:	110°
Connection:	Bare wire

#### Mechanical

Driver construction:	Voice coil wound on aluminium bobbin
Housing construction:	ABS
Dimensions:	300W x 180H x 290Dmm
Overall weight:	2.8kg

### Frequency Response



### Architect Specifications

The horn speaker shall operate at 100V and have power taps of 40W, 30W, 20W, 10W and 5W. Power settings shall be made by inbuilt selector switch. It shall have SPL of 112.5 to 128.5dB. It shall have a frequency response of 180Hz to 7 kHz. The speaker body shall be made of ABS and have an IP65 rating. The horn speaker shall be a REDBACK model C 2059.