

Horn Speakers

C 2056

20W 100V EWIS IP66 Weather Proof Plastic Horn Speaker



Overview

The C 2056 is an IP66 rated weatherproof horn speaker designed for indoor or outdoor installations.

Used for distributed paging systems requiring a high degree of speech articulation and program clarity.

Fitted with 22uf bipolar isolation capacitor to permit line monitoring function when employed with EWIS installations.

Features

- High output power model
- Weather resistant
- UV stabilised ABS construction
- Superb speech & music reproduction
- Excellent sound dispersion
- EWIS line monitoring system compatible
- 5 year warranty



About Redback® Speaker Drivers

Each horn speaker has been specifically engineered to ensure a wide frequency range and dispersion angle, plus a high sound pressure level (SPL) ensuring excellent music and speech intelligibility; which is highly desirable.

Redback® drivers exhibit optimum frequency response and efficiency for BGM & paging applications.

Redback® drivers are subject to strenuous factory testing reducing the risk of unit failure or performance reduction over time.

Installation Guidelines

The C 2056 is a 100V line horn speaker designed for direct connection to a commercial amplifier with 100V output. It is fitted with a 300mm 4 core cable for loop through connection. Power tap selection is via rear mounted rotary switch.

Supplied with nickel plated chrome hardware.

The neutral grey RAL colour provides an architecturally unobtrusive finish to virtually any installation.

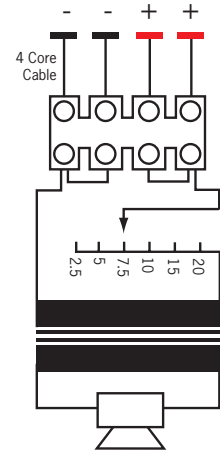
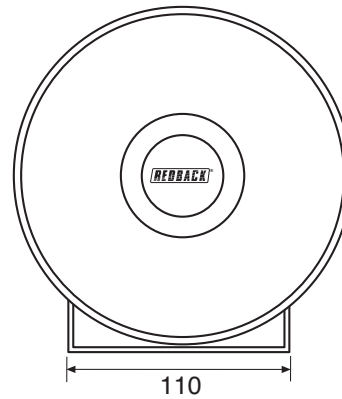
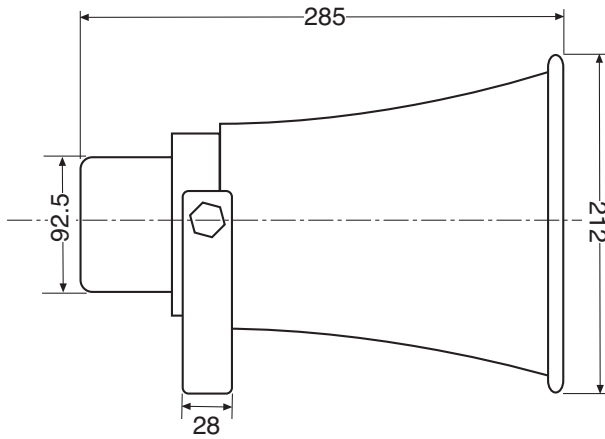
Horn Speakers

C 2048

20W 100V EWIS IP66 Weather Proof Plastic Horn Speaker



Dimensions (mm) & Transformer Details



Specifications

Electrical

Power taps	1.25, 2.5, 5, 7.5, 10W
SPL 1W @ 1m	105dB @ 1kHz (+/- 2dB)
SPL Max Tap @ 1m	115dB @ 1kHz (+/- 2dB)
Frequency response	300Hz-13kHz
Connection	4 core fly lead
EWIS line monitoring	22uF bipolar capacitor fitted
Dispersion angle	110°

Mechanical

Driver construction	Aluminium voice coil former
Mounting depth	270 mm
Overall weight	1.7kg

Environmental

Operating temperature	-25°C to +70°C
Relative humidity	< 95%

Architect Specifications

The horn speaker shall operate at 100V and have power taps of 10W, 7.5W, 5W, 2.5W and 1.25W. Power settings shall be made by screw driver switch. It shall have SPL of 105 - 115dB. It shall have a frequency response of 300Hz to 13 kHz and a dispersion angle of 110°. It shall have a 22uF bipolar isolation capacitor for line monitoring. The horn will be provided with a four core cable for field wiring connection. Two for the in- coming circuit and two for the outgoing circuit.

The speaker body shall be made of ABS and have an IP66 rating. The speaker shall incorporate stainless steel fixing hardware enabling use in marine environments. The horn speaker shall be a REDBACK model C 2048.