

**Product Guide****C 2070** Compact 30W Weatherproof 100V Line Music Horn

# C 2070 Compact 30W Weatherproof 100V Line Music Horn

- ✓ Tough UV stabilised high impact ABS
- ✓ Durable powder coated mounting bracket
- ✓ High SPL for effective sound penetration
- ✓ Selectable power taps via 3 core cable
- ✓ High efficiency driver and line transformer
- ✓ Suitable for indoor or outdoor use - IP56
- ✓ 5 year warranty



## Application

A high performance weatherproof music horn for use in installations requiring a high output speaker for BGM programming and paging playback. This high efficiency design produces an astonishing 115db at 1KHz whilst providing excellent clarity and music reproduction.

It is eminently suited to outdoor applications where a high standard of speech and music reproduction is demanded eg: schools, gymnasiums, aquatic centres, sporting arenas, stadiums etc.

The housing is IP56 weatherproof rated and is fitted with aluminium mounting bracket and stainless steel hardware. Fitted with 22uf bipolar capacitor for line monitoring applications.

## Installation Guidelines

It is supplied with an in-built bipolar capacitor making it compatible with EWIS control systems employing line monitoring circuitry. Power taps are selected via multi-core cable.

Supplied with nickel plated chrome hardware.

The neutral grey colour provides an architecturally unobtrusive finish to virtually any installation.

## About Redback® Speaker Drivers

Each horn speaker has been specifically engineered to ensure a wide frequency range and dispersion angle, plus a high sound pressure level (SPL) ensuring excellent music and speech intelligibility; which is highly desirable.

Redback® drivers exhibit optimum frequency response and efficiency for BGM & paging applications.

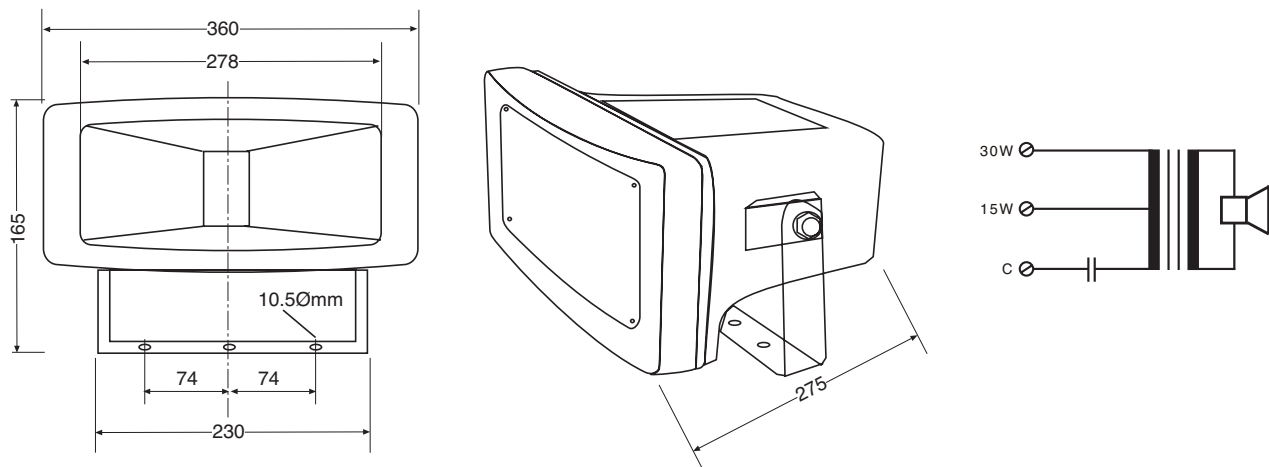
Redback® drivers are subject to strenuous factory testing reducing the risk of unit failure or performance reduction over time.

## Product Guide

**C 2070** Compact 30W Weatherproof 100V Line Music Horn



### Dimensions & Transformer Detail



### Specifications

#### Electrical

Power taps:	15, 30W
SPL 1W @ 1m:	100dB
SPL Max @ 1m:	115dB
Frequency response:	130Hz-18kHz
Connection:	3 core cable + 22uF bipolar capacitor

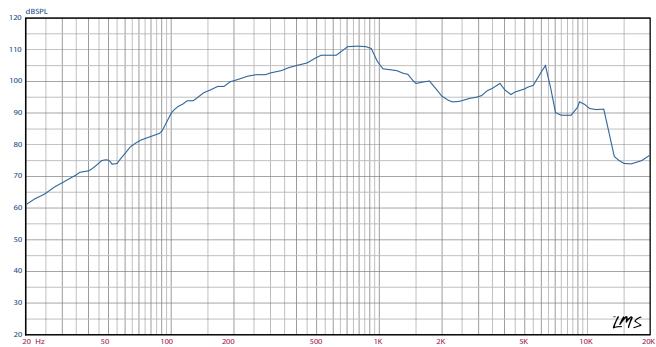
#### Mechanical

Driver construction:	Aluminium voice coil former
Dimensions:	360W x 165H x 275mm
Overall weight:	3.1kg
Colour:	Grey

#### Environmental

IP Rating:	IP56
Operating temperature:	-20°C to +55°C
Relative humidity:	< 95%

### Frequency Response (SPL 1W @ 1m)



### Architectural Specifications

The horn speaker shall operate at 100V and have power taps of 15W and 30W. Power settings shall be selectable via 3 core cabling. It shall have SPL of 100dB (1W @ 1m). It shall have a frequency response of 130Hz to 18kHz and be suitable for BGM programming. It shall have a 22uF bipolar isolation capacitor for line monitoring.

The speaker body shall be made of grey ABS and fitted with powdercoated steel mounting bracket. The horn speaker shall be a REDBACK model C 2070.