

Product Guide**C 2144** 100mm (4") 10W 8Ω 2 Way Coaxial Ceiling Speaker

C 2144 One-Shot® 2 Way Coaxial Ceiling Speaker

- ✓ Excellent speech intelligibility
- ✓ 2 way coaxial speaker driver
- ✓ High quality speaker driver developed for BGM and paging applications
- ✓ Patented 2 way latching ensures a neat, sag free installation.
- ✓ High impact styrene grille.
- ✓ 5 year warranty.



Application

The C 2144 is a standard 8 ohm speaker designed for direct connection to a stereo amplifier.

The high performance two way coaxial driver employed is ideal for background music in stores, boutiques, offices etc.

The Labour Saving One-Shot® Mounting System

Redback® "One-Shot®" speaker units install in seconds providing substantial labour cost savings for the professional installer compared to traditional mounting methods.

They simply snap fit to the ceiling by means of the integral pressure clips. The snap clip material is formulated to retain long service life strength and spring action, ensuring a firm vibration free fit to either gyprock tiles, mineral fibre tiles or fixed gyprock ceilings.

A neutral white RAL colour provides an architecturally unobtrusive finish to virtually any installation.

Testing

Redback® drivers are subject to strenuous factory testing reducing the risk of unit failure or performance reduction over time. Each driver has a power rating well above the max tapping of the transformer, ensuring reliable operation and excellent longevity.

Installation Guidelines

The C 2144 may be directly connected to a standard stereo amplifier. All One-Shot® speakers are designed for fast installation due to the integral pressure clips which grip to the reverse side of the ceiling tile. They are suit any 10-13mm ceiling tile, including gyprock, mineral fibre or fixed gyprock ceilings. Redback provide a range of optional tile supports to minimise sag and vibration.

About Redback® Speaker Drivers

Each custom designed speaker has been specifically engineered to ensure a wide frequency range and dispersion angle, plus a high sound pressure level (SPL) ensuring excellent music and speech intelligibility; which is highly desirable.

Redback® drivers exhibit optimum frequency response and efficiency for BGM & paging applications.

Ceiling support pans: These pans fit inside the 't-bar' supports for the tile ceiling and provide a solid surface on which the One-Shot® clips secure to. Once the hole is cut, these simply slide up into the hole, the speaker is then pushed in until the clips release.

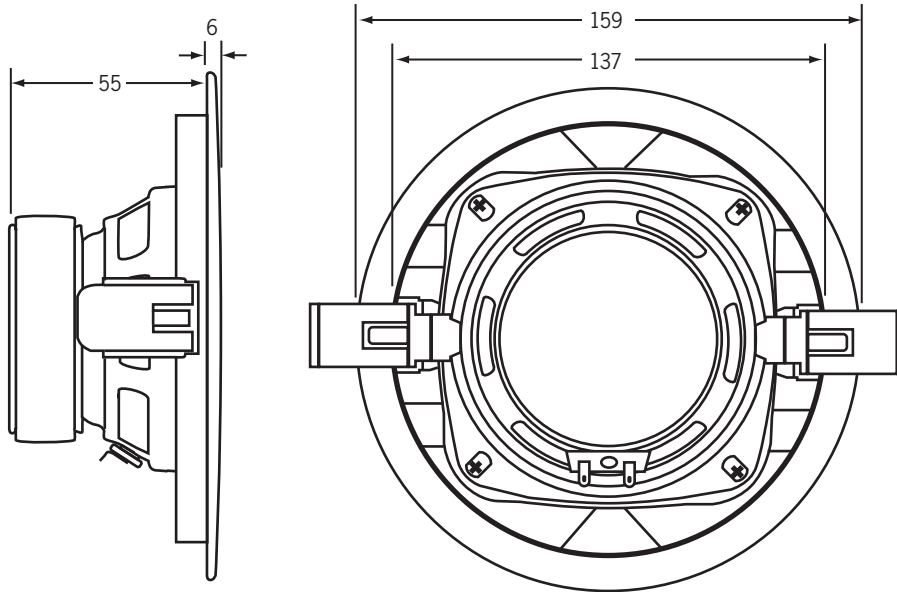
Ceiling support ring: This plastic 'split-ring' offers the same protection for soft tiles. With the added benefit of being lightweight and compact. For 100mm (4") models we recommend a speaker hole of 140mm. This is easily cut using the T 2312A holesaw.

Product Guide

C 2144 100mm (4") 10W 8Ω 2 Way Coaxial Ceiling Speaker



Dimensions



Specifications

Electrical

Power:	10W Max
Impedance:	8Ω
SPL 1W @ 1m:	83dB @ 1kHz (+/- 2dB)
Frequency response:	80Hz-20kHz

Mechanical

Grille material:	High impact styrene
Driver construction:	2 way coaxial
Ceiling cutout:	140Ømm
Grille diameter:	159Ømm
Mounting depth:	55mm
Overall weight:	700g
Colour:	White

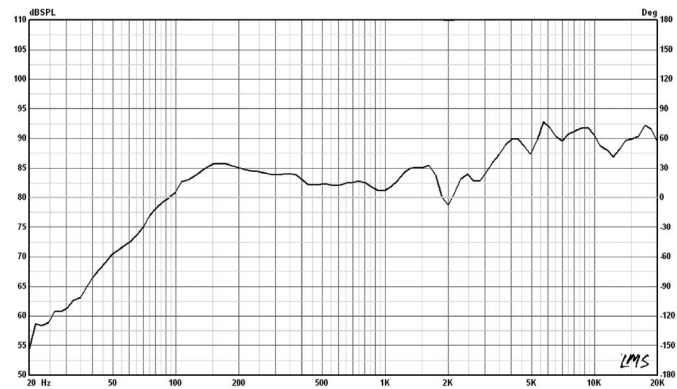
Environmental

Operating temperature:	-25°C to +55°C
Relative humidity:	< 95%

Additional Installation Accessories

- C 2164 Ceiling tile support split ring
- C 2143 Steel ceiling tile support pan
- T 2312A 140mm holesaw

Frequency Response (SPL 1W @ 1m)



Architect Specifications

The speaker shall be of 100mm diameter and rated at 10W. It shall have a SPL of 83dB (1W@1m). The speaker shall have an 8 ohm impedance. The speaker shall be attached to a white ABS grill with One-Shot mounting mechanism. The speaker/grille combination shall be a Redback model C 2144.