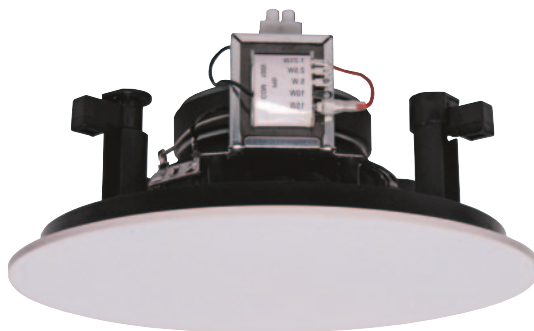


Product Guide**C 2188** 165mm (6.5") 100V 15W Coaxial Ceiling Speaker**C 2188** Fast-Fix 'Edge to Edge' Ceiling Speaker

- ✓ Magnetic fit 'edge to edge' steel grille for a neat flush finish.
- ✓ High power output
- ✓ Excellent speech intelligibility
- ✓ High quality speaker driver developed for BGM, paging and emergency warning applications
- ✓ Flip-lock mounting system reduces installation time.
- ✓ 5 year warranty.

**Application**

The C 2188 is a high power PA speaker designed for general PA use where high SPL is required.

About Redback® Speaker Drivers

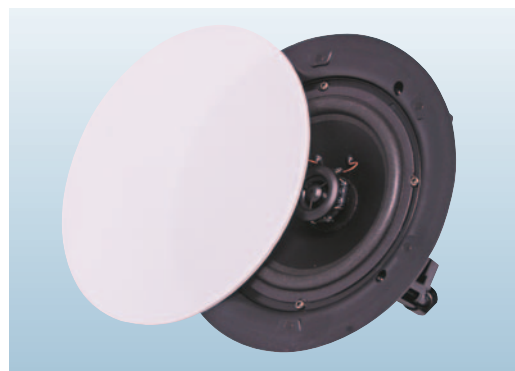
Each custom designed speaker and transformer combination has been specifically engineered to ensure a wide frequency range and dispersion angle, plus a high sound pressure level (SPL) ensuring excellent music and speech intelligibility; which is highly desirable for paging applications.

Redback® drivers exhibit optimum frequency response and efficiency for BGM & paging applications. The transformers are wound on professional grade grain oriented steel cores for high efficiency and extended frequency response.

Each transformer is fitted with multiple power tapings which are selected via a tab on the top of the transformer.

Testing

Redback® drivers are subject to strenuous factory testing reducing the risk of unit failure or performance reduction over time. Each driver has a power rating well above the max tapping of the transformer, ensuring reliable operation and excellent longevity.

Magnetic Edge To Edge Grille

The C 2188 is unique to the Redback® "Fast-Fix" range in that it features a magnetic snap fit steel grill which extends right to the edge of the speaker assembly. The result is a near flush finish with the ceiling tile, providing an architecturally unobtrusive installation.

Installation Guidelines

Redback® "Fast-Fix" speaker utilise a time saving flip lock mounting method. It results in a finish with no visible screw heads or caps.

The flip lock tabs slide outwards as the speaker is screwed into the hole, securing the speaker to the ceiling material from the top side. Suitable for use with any 8-33mm ceiling tile, including gyprock, mineral fibre or fixed gyprock ceilings. We recommend a speaker hole of 195mm. This is easily cut using the T 2314 holesaw.

The neutral white RAL colour of C 2188 provides an architecturally unobtrusive finish to virtually any installation.

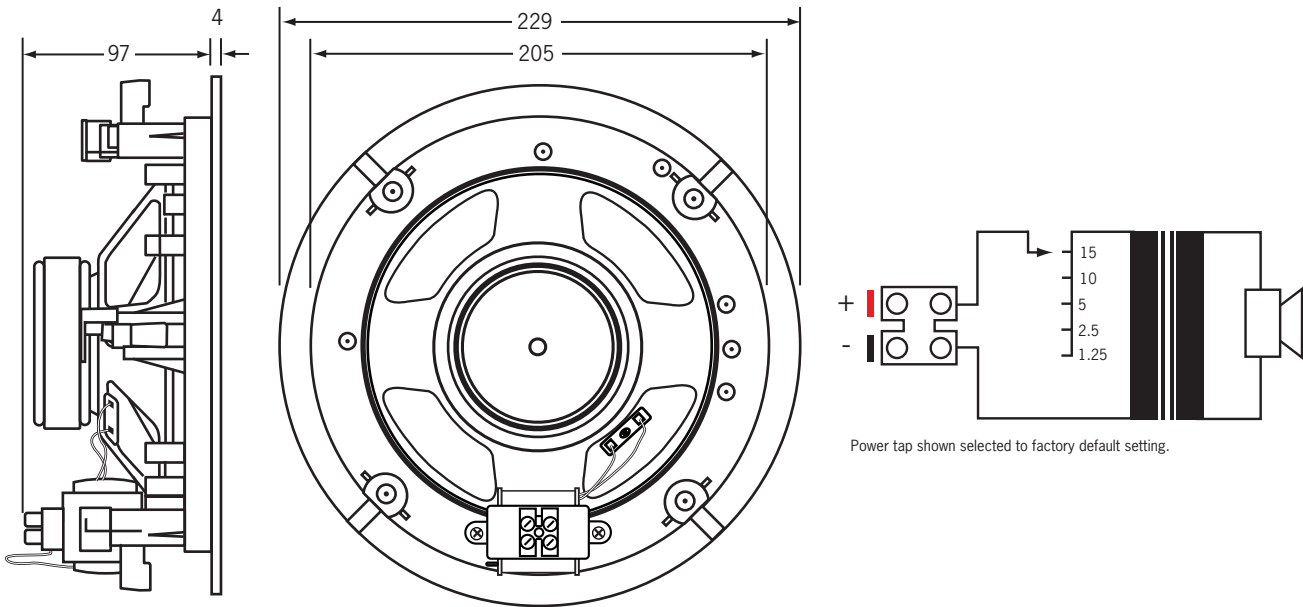
The transformer is fitted with a 2 way wire protect screw terminal block.

Product Guide

C 2188 165mm (6.5") 100V 15W Coaxial Ceiling Speaker



Dimensions & Transformer Detail



Power tap shown selected to factory default setting.

Specifications

Electrical

Power taps:	1.25, 2, 5, 10, 15W
SPL 1W @ 1m:	92dB @ 1kHz (+/- 2dB)
Frequency response:	90Hz - 20kHz
Connection:	2 way terminal block

Mechanical

Grille material:	ABS surround, steel mesh grille
Driver construction:	2 way coaxial, PECC cone
Ceiling cutout:	205mmØ
Grille diameter:	229mmØ
Mounting depth:	97mm (including ceiling tile thickness)
Overall weight:	2.2kg
Colour:	White

Environmental

Operating temperature:	-25°C to +55°C
Relative humidity:	< 95%

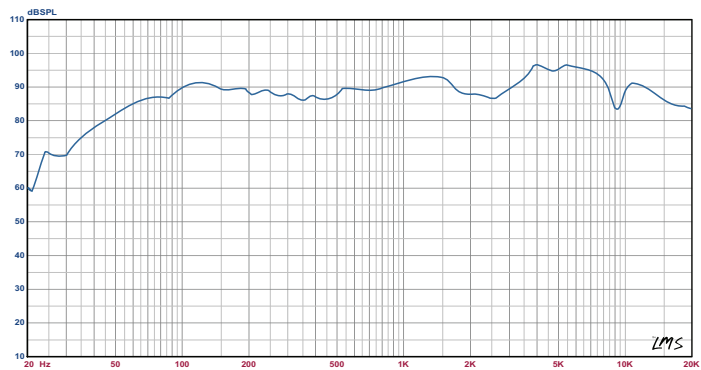
Additional Installation Accessories

T 2314 Adjustable 40-270mm holesaw

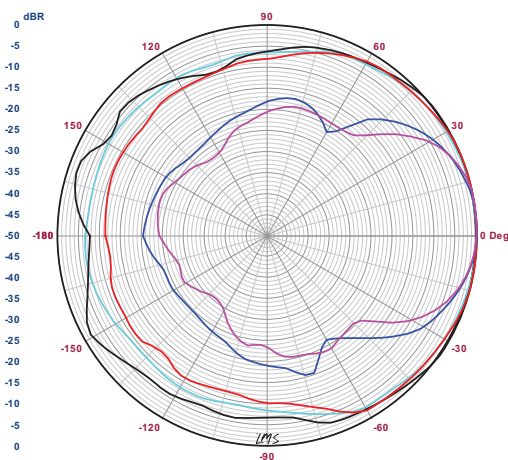
Architect Specifications

The speaker shall be a coaxial 2-way of 165mm diameter and be fitted with a 100V transformer with power taps of 15W, 10W, 5W, 2W and 1.25W. It shall have a SPL of 92dB and frequency response of 90Hz to 20kHz. It shall be fitted with a 2 way wire protect terminal block for cable connection. The speaker shall be attached to a white steel grill with ABS surround & flip-lock mounting mechanism. Grill shall be attached by magnets and provide a near flush finish. The speaker & grill combination shall be a Redback model C 2188.

Frequency Response (SPL 1W @ 1m)



Polar Plot (Ratio vs Angle)



	500Hz	1kHz	2kHz	4kHz	6kHz
SPL 1W @ 1m (dB)	88	92	88	97	96
Beam Width (BW)	153	164	145	62	51
Q-Factor	2.4	2.2	2.5	5.8	7.1
Directivity Index (DI)	3.7	3.4	3.9	7.7	8.5