

The AT-603AP is a flush-mounted wall attenuator and uses a transformer which allows connection of a wide range of loads (60 W or less). Volume can be adjusted in five steps. The AT-603AP features push-in terminal block for easy connection.

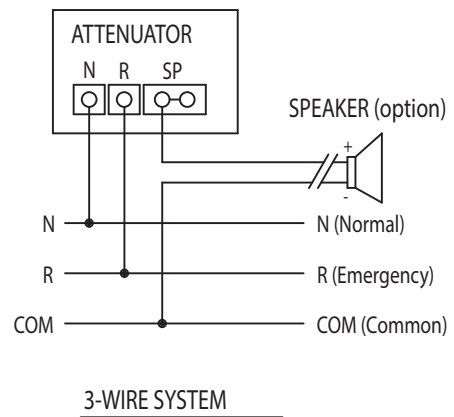
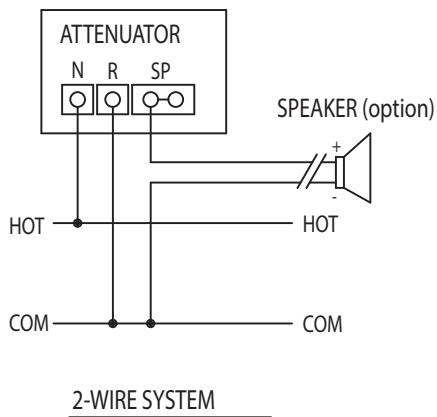
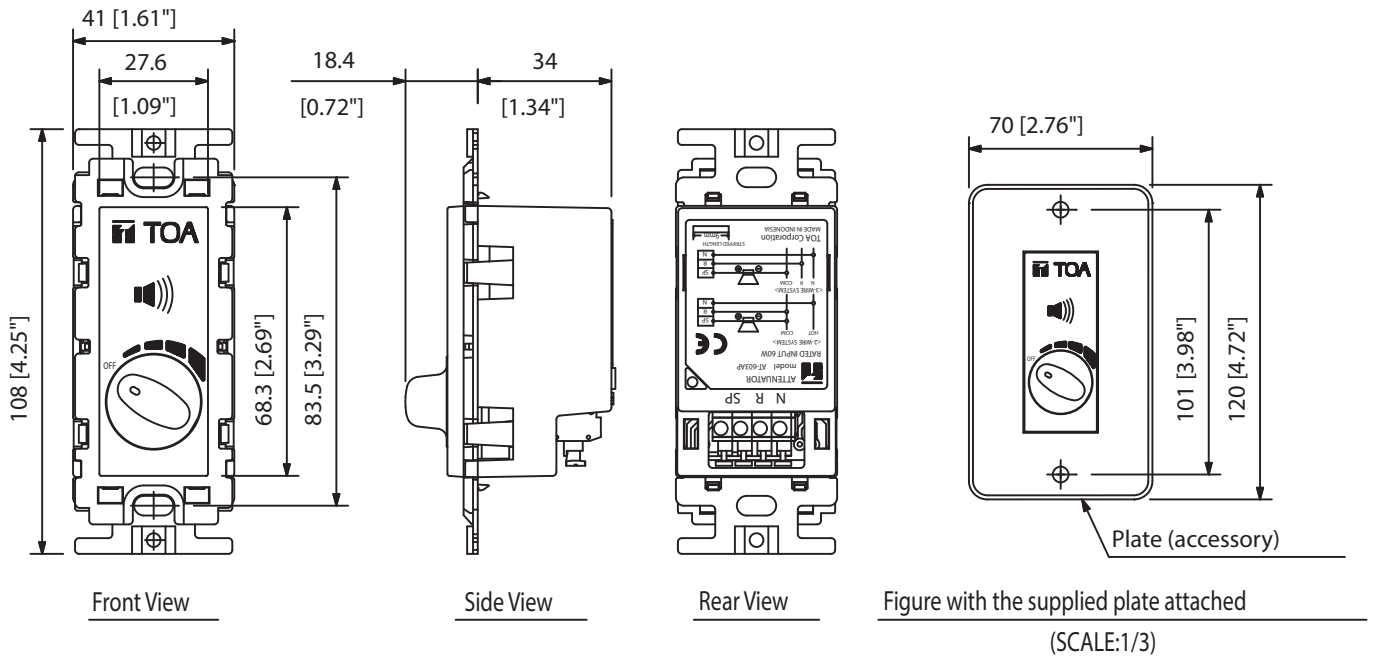


Article number:AT-603AP

Specifications

Finish	ABS resin, white,
Operating temperature	-10 °C to +50 °C

Appearance



UNIT:mm

SCALE:1/2