

The CS-154 outdoor speaker features stainless steel hardware for all-weather durability. It is designed to offer the high intelligibility of weather-resistant horns combined with the high sound quality of dynamic speakers. The CS-154 employs the rotary switch that facilitates impedance changes. It also employs a constant directivity horn for clear sound output over its horizontal range of 90° operation.

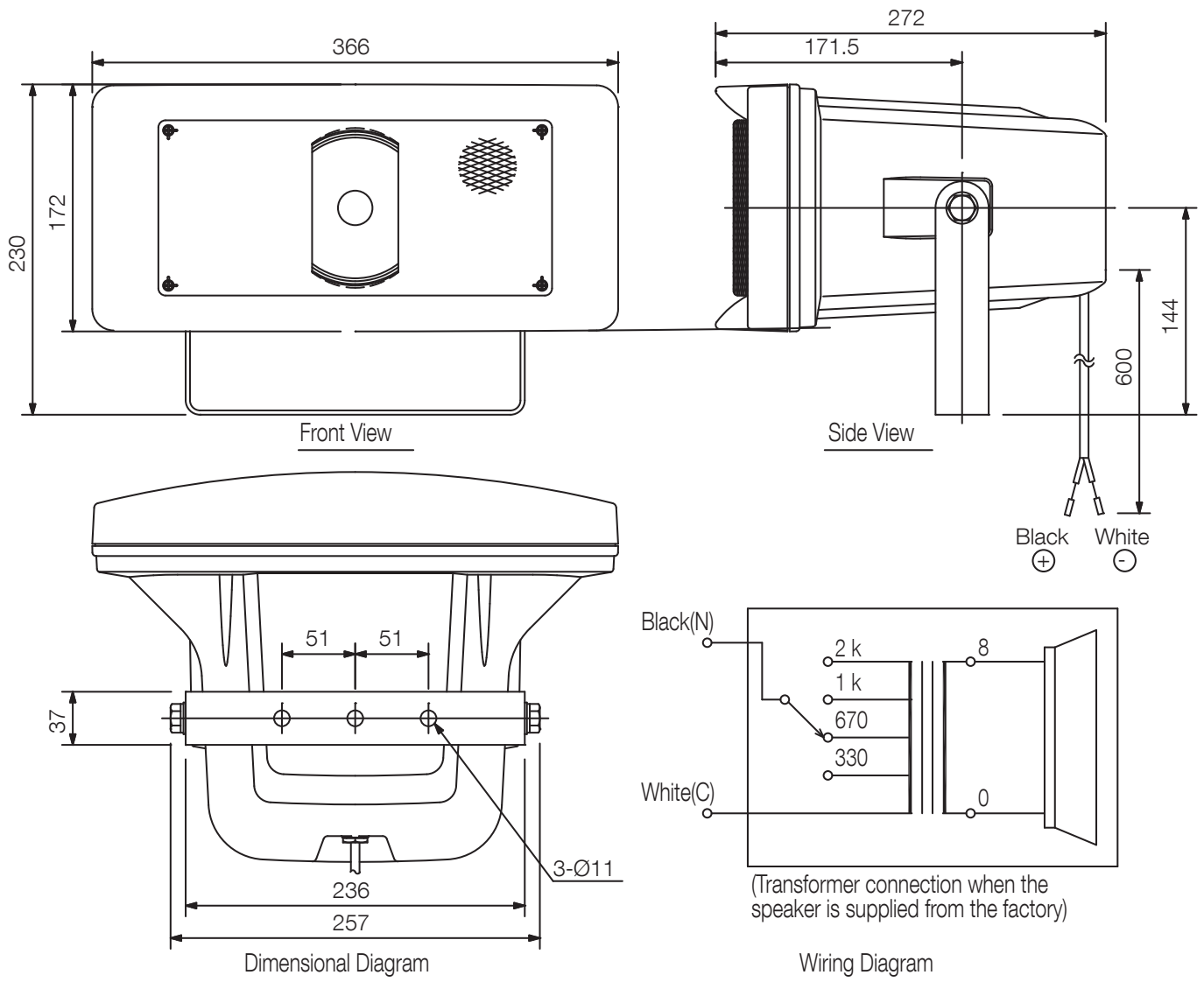


Article number: CS-154 EU
Alternative products: CS-154BS, CS-304,
CS-64

Specifications

Sensitivity (1#V, 1#m)	97 dB 330 Hz - 3,3 kHz, pink noise
Frequency response	150 Hz - 15 kHz
Connection	2-core cable cord with diameter of 6mm
Rated input (high impedance)	15 W
Tappings	100V : 670 Ω (15 W) / 1 kΩ (10 W) / 10 kΩ (1 W) 70V : 330 Ω (15 W) / 670 Ω (7.5 W) / 1 kΩ (5 W) / 2 kΩ (2.5 W)
Speaker component	12 cm cone-type
Finish	ABS resin, paint, off-white (RAL 9010 or equivalent),
Operating temperature	-10 °C to +55 °C

Appearance



UNIT:mm

SCALE:1/5