

ER-520S

6W HAND MEGAPHONE, SIREN SIG.



Small in size and light in weight, the ER-520S megaphone can be easily carried by a single hand. It can also provide a siren tone. The newly developed polyimide diaphragm is employed to ensure high sound quality.

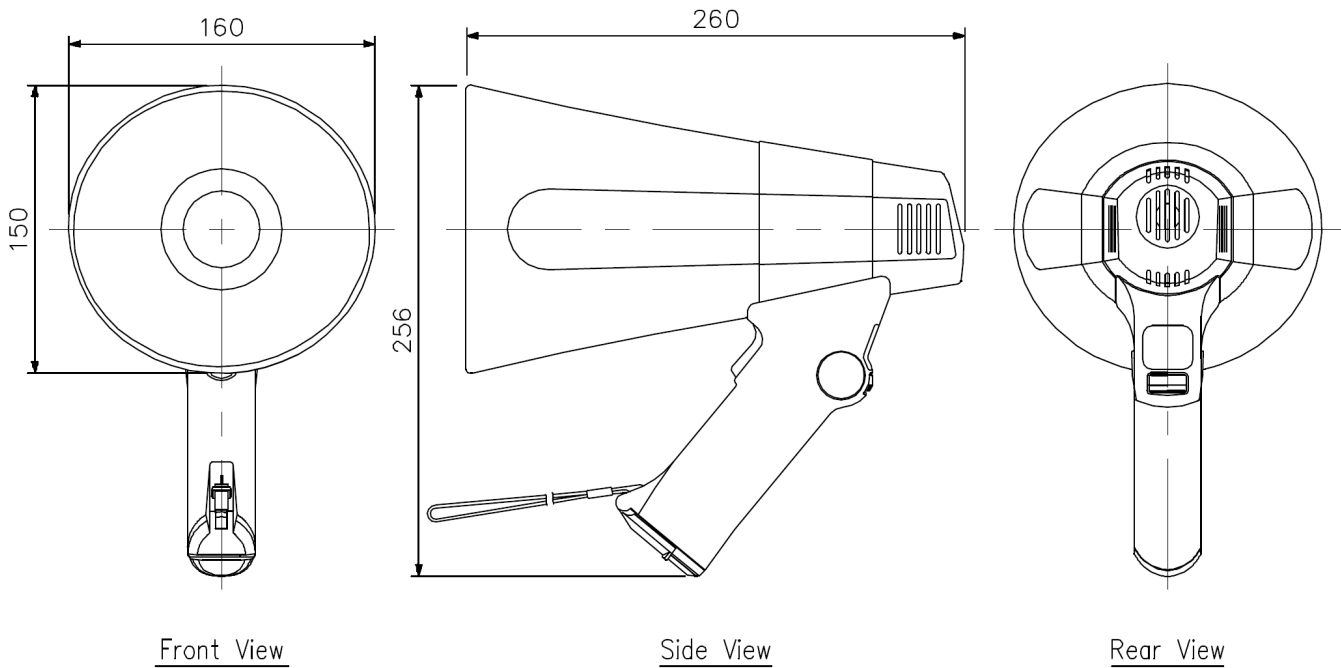
Key features

Specifications

Anti-bacteria Treatment	Mouth and handle
Power Source	R6P (AA) x 8 (12 V DC)
Rated Output	6 W
Maximum Output	10 W
Battery Life	Voice: Approx. 10 hours (JEITA)* Siren: Approx. 40 minutes (JEITA)*
Audible Range	Voice: Approx. 250 m (JEITA)* Siren: Approx. 315 m (JEITA)*
Signal Sound	Siren
Diaphragm	Polyimide film
Operating Temperature	-10 °C to +40 °C
Finish	Horn, mouth and handle: ABS resin, red Strap: Teton, black
Dimensions	160 (W) x 256 (H) x 260 (D) mm
Weight	650 g (without batteries)

*JEITA: Japan electronics and information technology industries association.

Dimensions



<Note on the audible range and battery life>

1. The indications of the audible range and battery life are based on the JEITA Standard*.
2. Audible Range presumes that the megaphone employs new batteries and is used on a quiet street.
It varies depending on such conditions as battery consumption, ambient noise, wind direction and obstacles.
3. Battery Life assumes that megaphone is used for 30 minutes a day.

UNIT: mm