

TU-660M

DRIVER UNIT 60W (WITH TRANSFORMER)



The TU-660M is a highly intelligible driver unit suited to public address announcement applications. Use the driver unit in combination with a suitable horn (option). Its powder-coated finish and stainless steel screws ensure the unit's weatherproof capability. Also employing a newly developed ring diaphragm ensures the unit's high frequency characteristics.

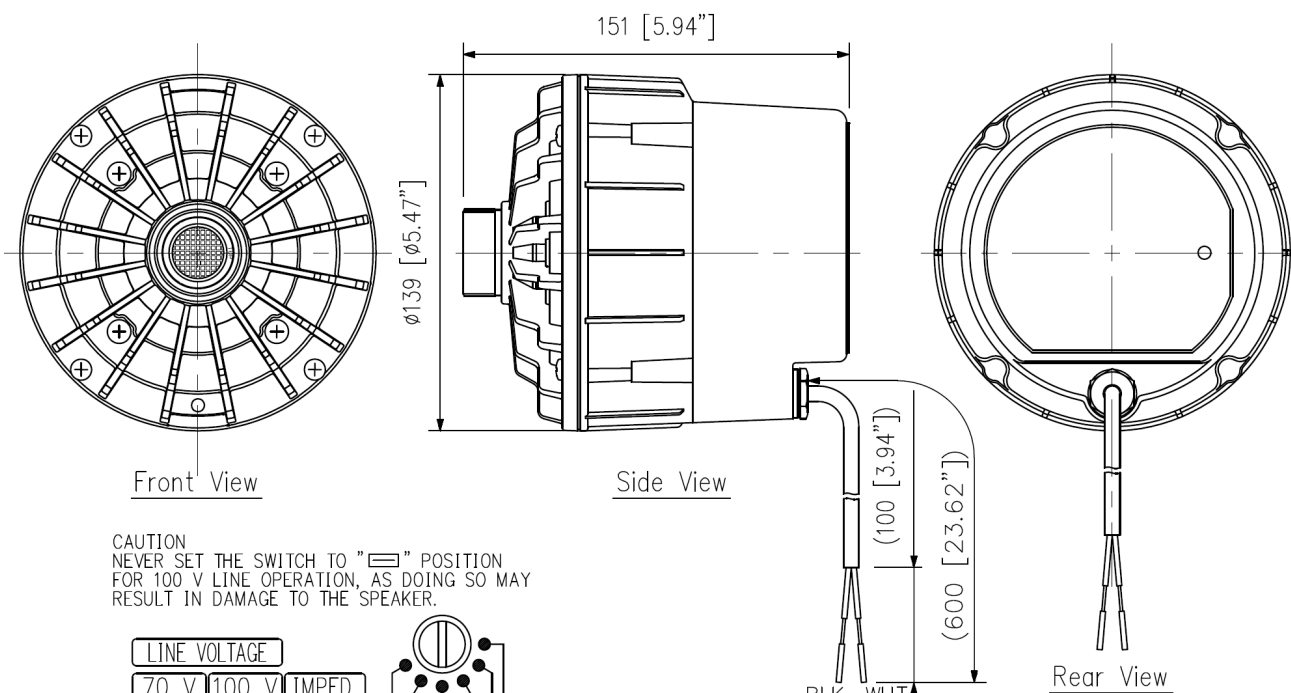
Key features

- High quality sound
- High SPL
- High durability

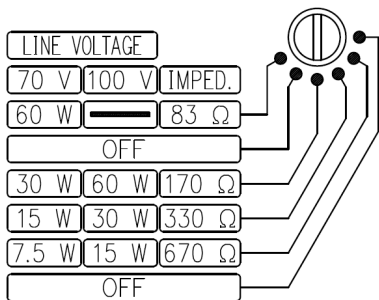
Specifications

Horn Coupling	1 -3/8 18 threads (inch screw)
Rated Input	60 W
Impedance	100 V line: 170 Ω (60 W), 330 Ω (30 W), 670 Ω (15 W) 70 V line: 83 Ω (60 W), 170 Ω (30 W), 330 Ω (15 W), 670 Ω (7.5 W)
Sensitivity	110 dB (1 W, 1 m) (When operated with JIS C 5504 standard horn.)
Frequency Response	150 Hz -8 kHz (When operated with JIS C 5504 standard horn.)
Water Protection	IP65 (When a driver is operated with a horn.)
Operating Temperature	-20° to +55 °C (-4 °F to +131 °F) (no condensation)
Finish	Flange: Aluminum, gray, powder coating Rear cover: ABS resin, gray Screws: Stainless steel Speaker cable: Polyvinyl chloride insulated cabtyre cable (6 mm (0.24" lin diameter, 600 mm (23.62" lin length)
Dimensions	ϕ 139 x 151 (D) mm (ϕ 5.47" x 5.94")
Weight	2.7 kg (5.95 lb)
Optional Accessories	Driver unit cover: UC-200A

Dimensions

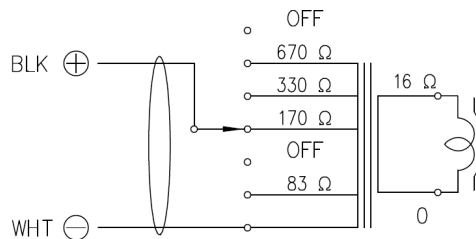


CAUTION
NEVER SET THE SWITCH TO "III" POSITION FOR 100 V LINE OPERATION, AS DOING SO MAY RESULT IN DAMAGE TO THE SPEAKER.



Set the impedance selector to the desired impedance.

Impedance Selection



(Transformer connection when the speaker is supplied from the factory)

Wiring diagram

UNIT: mm

Note: Numerical values in parentheses are for reference only.

A&E specifications

The driver unit shall be designed to operate in combination with a standard type horn for the purpose of broadcasting speech and music internally and externally and shall have a smooth frequency response between 150Hz to 8kHz. The driver unit shall produce a Sound Pressure Level (SPL) of 110 dB on axis at 1 meter with a power input of 1 watt and shall be capable of producing 60 watts of continuous power. The unit shall include an integral 60-watt dual voltage line transformer for 70 V or 100 V applications. Four impedance levels shall be available for 70 V line: 83 Ω (60 W), 170 Ω (30 W), 330 Ω (15 W), 670 Ω (7.5 W) and three for 100 V line: 170 Ω (60 W), 330 Ω (30 W), 670 Ω (15 W). The driver unit shall employ the newly developed polyimide ring-type diaphragm construction that improves frequency characteristics and shall be housed in a grey aluminium, powder coated flange with an ABS resin rear cover and shall comply with IP65 dust and water ingress protection rating, when operated with a standard type horn. The driver unit shall be capable of operating in temperatures of between -20 °C to +55 °C (-4 °F to +131 °F) and shall weigh 2.7 kg (5.95 lb.) measuring \varnothing 139 x 151 (D) mm (\varnothing 5.47" x 5.94") Applicable Horns: TH-650 (\varnothing 500 x 394 (D) mm), TH-660 (\varnothing 600 x 425 (D) mm) manufactured by TOA Corporation. Optional extras: UC-200A driver unit cover manufactured by TOA Corporation.

Manufacturer: TOA Corporation

Model: TU-660M