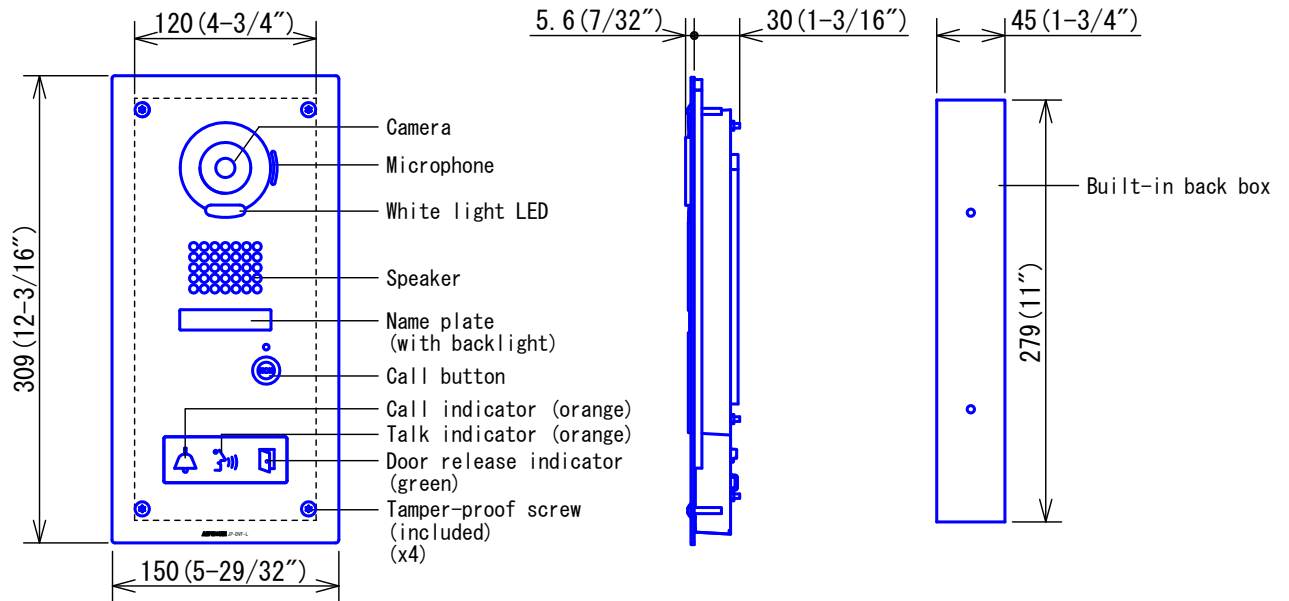
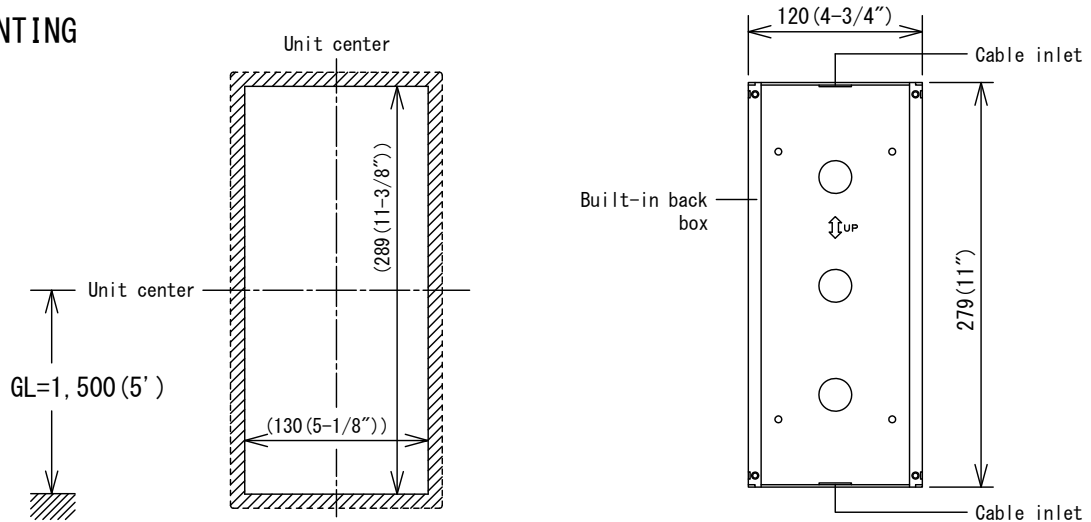


■ PRODUCT DRAWING



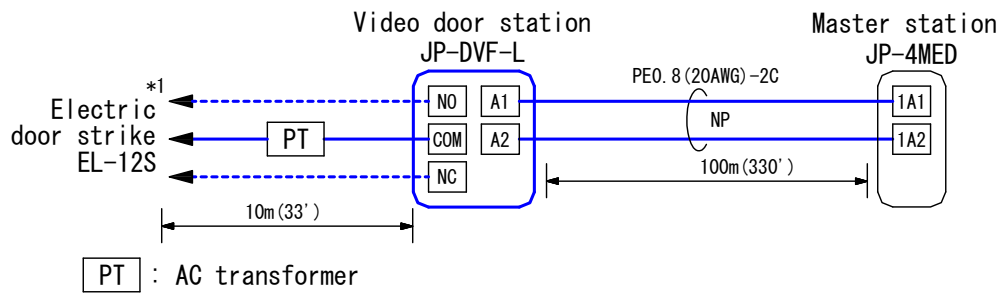
● MOUNTING



■ SPECIFICATIONS

Power source	Supplied from Master station			
Type of communication	Open voice hands-free communication			
Camera	1/4 inch color CMOS			
Minimum illumination	5 Lux			
Camera angle	Wide: 170° (approx.) (Horizontal)			
Ambient temperature	-10~ 60°C (+14° F - +140° F)			
Mounting	Flush mount			
Electrical box	Not used (Mounts on built-in back box.)			
Housing	Front panel: Stainless steel.			
Weight	980g (approx.) (2.16lbs), back box 670g (approx.) (1.48lbs)			
Unit color	Stainless steel, vertical hair-line processed.			
IP rating	IP54			
IK rating	IK08			
DESCRIPTION VIDEO DOOR STATION (Color, Vandal-resistant)	FIG. NAME PRODUCT/SPECIFICATIONS	UNIT mm	DATE 7 October, 2014	
MODEL NO. JP-DVF-L	FIG. NO. 59637-1-3	PAGE 1/3	REVISION 1	AIPHONE

■ WIRING DIAGRAM

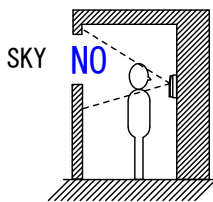


*1. Output specifications

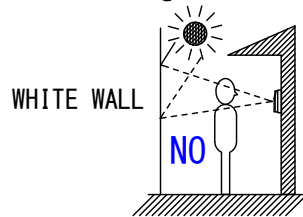
Output method	N/O or N/C dry closure contact
Voltage between terminals	24V AC, 0.5A (resistive load)
	24V DC, 0.5A (resistive load)
	Minimum overload (AC/DC): 100mV, 0.1mA

■ RESTRICTIONS

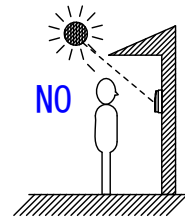
- JP-DVF-L door station is exclusively used with JP Series Master stations.
- Avoid to install JP-DVF-L in the following locations:



At the Entrance where background is sky in upper floors of Condominiums, etc.



The background of the standing caller's is white wall.



Where the standing location is strongly sunlit.

■ FUNCTIONS

- Initiating a call to and entering communication with Master station
- Calling/communicating with/image checking (with guidance) with Residential station.
- Activating door release by a Residential station(s)

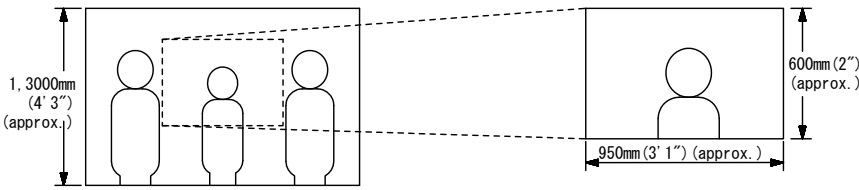
DESCRIPTION VIDEO DOOR STATION	(Color, Vandal-resistant)	FIG. NAME WIRING/RESTR. /FCN.	UNIT mm	DATE 7 October, 2014
MODEL NO. JP-DVF-L		FIG. NO. 59637-2-3	PAGE 2/3	REVISION 1

AIPHONE

IMAGE VIEW AREA & MOUNTING HEIGHT

●Wide

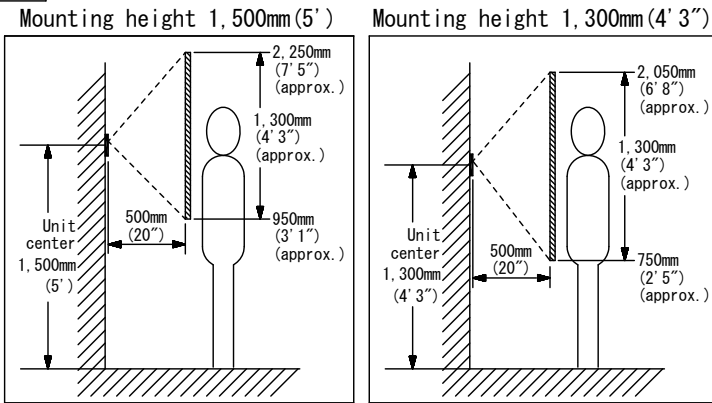
●Zoom



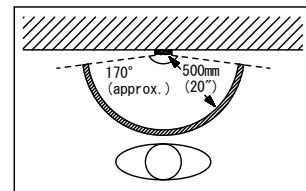
- Objects appear smaller due to greater distortion in the surrounding sections compared to the central section, but a wider area is displayed.
- Image view area depends on the camera zoom position.

●Wide

Vertical



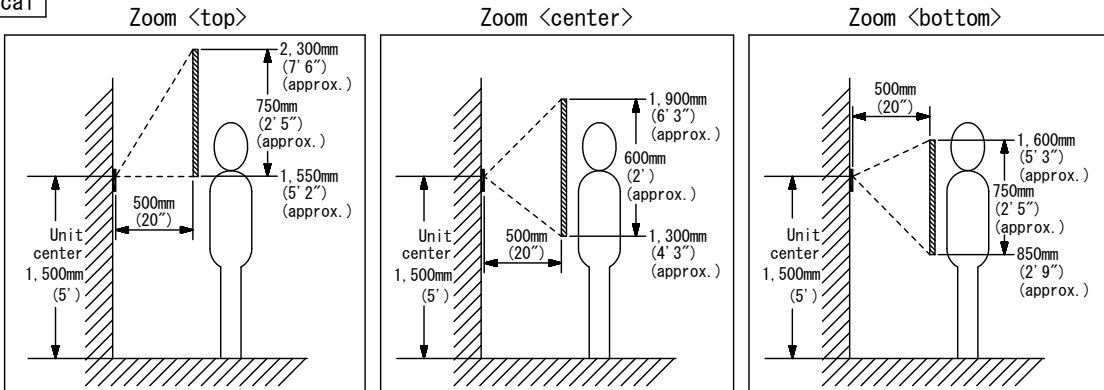
Horizontal



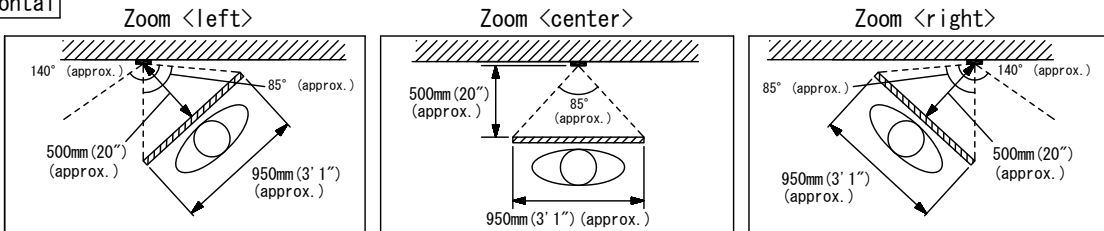
- ◆ An area over a range of approx. 170° in a 500mm (20") radius from the camera displays. (The display range is a rough estimation and may change due to the installation environment.)

●Zoom (Mounting height: 1,500mm (5'))

Vertical



Horizontal



DESCRIPTION VIDEO DOOR STATION	(Color, Vandal-resistant)	FIG. NAME IMAGE VIEW AREA	UNIT mm	DATE 7 October, 2014
MODEL NO. JP-DVF-L		FIG. NO. 59637-3-3	PAGE 3/3	REVISION 1
				AIPHONE