

- 170° angle wide view camera
- Audio & visual guidance to provide visitors status and operation assistance
- Search names and numbers using the keypad
- Custom programmable welcome messages can be displayed
- 9 languages (English, French, German, Spanish, Dutch, Italian, Norwegian, Turkish and Finnish) are available for messages on Guidance display
- 6 languages (English, French, German, Spanish, Dutch and Norwegian) are available for audio guidance
- White light LED illuminates automatically in low-light conditions

Front frame & back box



- GT-4F**  
4-module front frame
- GF-3F**  
3-module front frame
- GF-2F**  
2-module front frame

- GT-4B**  
4-module back box
- GF-3B**  
3-module back box
- GF-2B**  
2-module back box

Call switch Module



**GF-1P**  
1-call panel



**GF-2P**  
2-call panel



**GF-3P**  
3-call panel



**GF-4P**  
4-call panel



**GT-SW**  
Call switch module

10-key module



**GF-10KP**  
10-key module panel



**GT-10K**  
10-key module

Option



**GF-AP**  
Address module panel



**GT-AD**  
Address module



**GF-BP**  
Blank panel



**GT-AC**  
Access control keypad module



**GT-nH**  
Rain hood



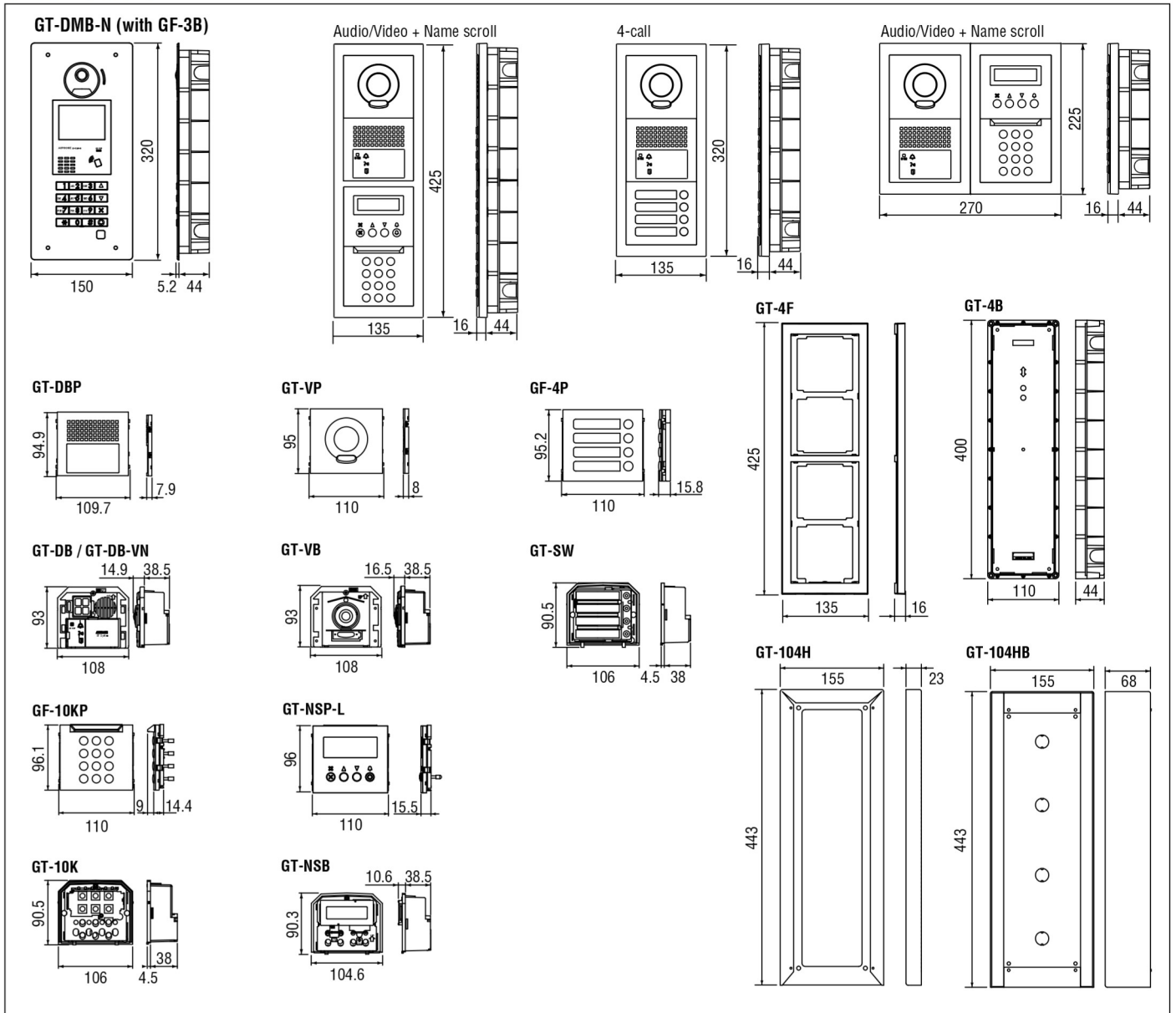
**GT-nHB**  
Hooded surface-mount box  
**GF-nBA**  
Surface-mount box

Specifications (GT-SW,GT-10K,GT-AD)

Lighting	Yellow LED
Material	Fire-retardant ABS plastic

# Video Multi-Tenant System

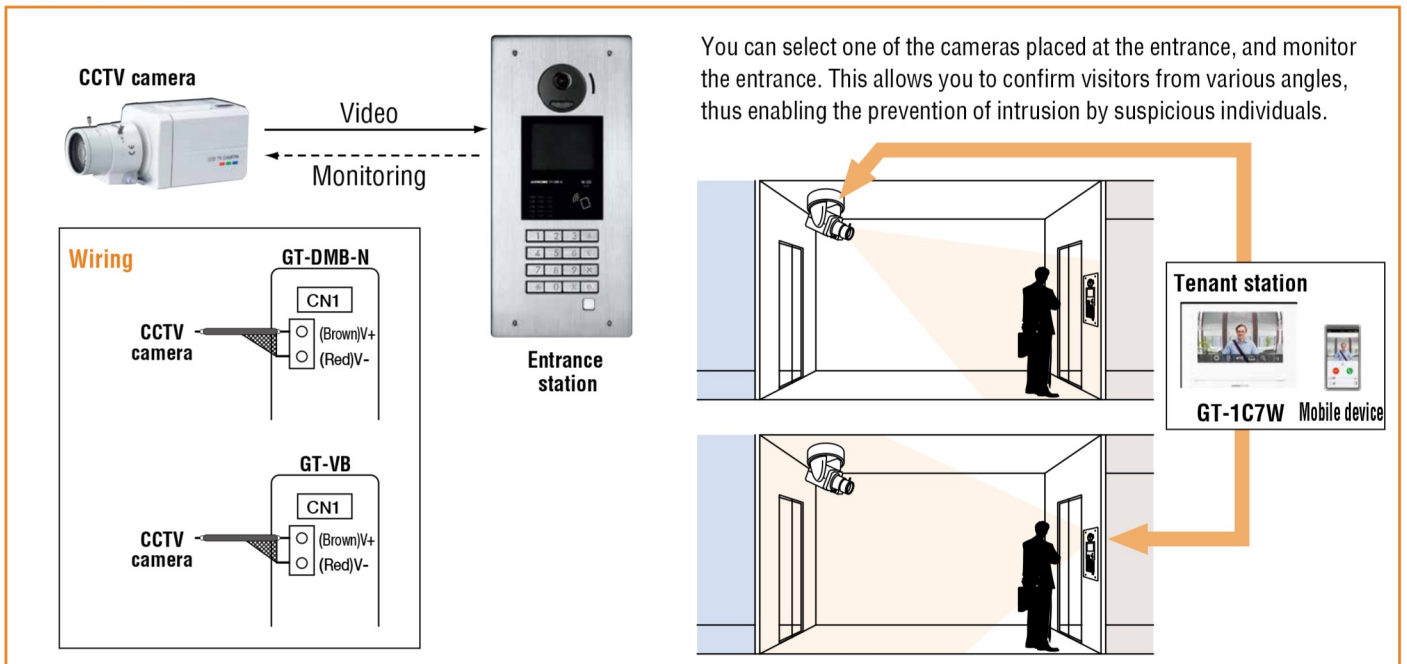
## Unit dimensions



IXG

GT

## Security camera



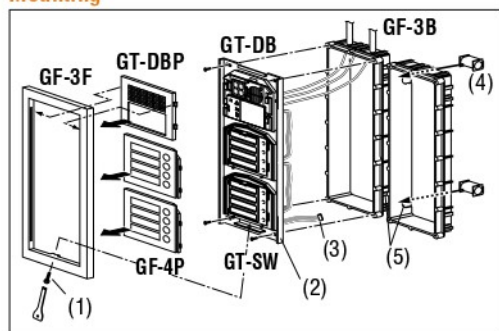
You can select one of the cameras placed at the entrance, and monitor the entrance. This allows you to confirm visitors from various angles, thus enabling the prevention of intrusion by suspicious individuals.

### Entrance station components

Number of call buttons	4	8	12	16	20	24	25-48	GT-NSB, GT-10K
(1) GT-VB & GT-VP	1	1	1	1	1	1	For more than 7 x GT-SW, installation of additional power supply & special device required. Contact local AIPHONE distributor	1
(2) GT-DB(-VN) & GT-DBP	1	1	1	1	1	1		1
(3) GT-SW & GF-4P	1	2	3	4	5	6		1*
(4) GF-3F & GF-3B	1	—	2	2	—	3		—
(5) GT-4F & GT-4B	—	1	—	—	2	—		1
(6) GF-BP	—	—	—	—	—	1		—
GT-AD & GF-AP	—	—	1	—	1	—		—
(7) GT-NSB & GT-NSP-L	—	—	—	—	—	—	1	
GT-10K & GF-10KP	—	—	—	—	—	—	1	

(1) Camera (2) Audio (3) Call switch (4) 3-module Front frame (5) 4-module Front frame (6) Option (7) Digital name scroll \* For the GT-SW, only one module can be connected (max. 4 buttons).

### Mounting

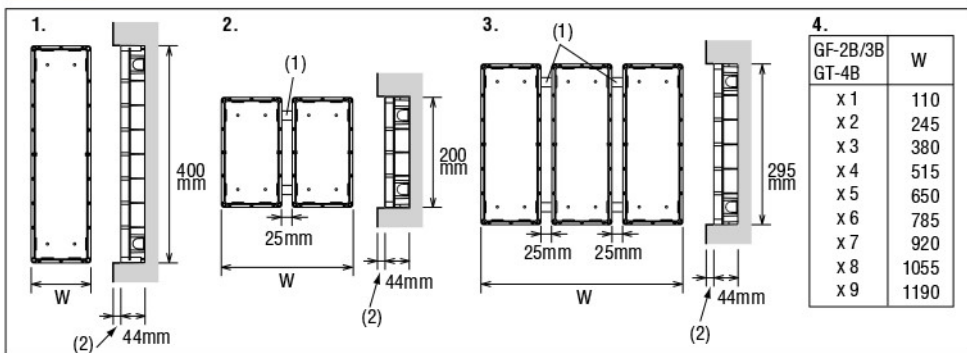


Model	H	W
GT-102H/HB	243	155
GT-202H/HB	243	290
GT-103H/HB	338	155
GT-203H/HB	338	290
GT-303HB	338	425
GT-104H/HB	443	155

Model	H	W
GF-102BA	229	139
GF-202BA	229	274
GF-103BA	324	139
GF-203BA	324	274

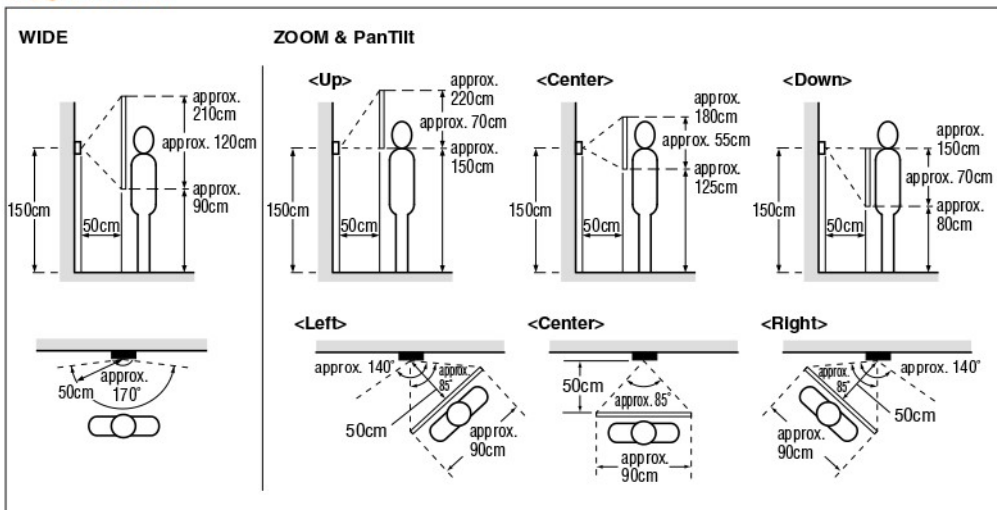
(1) Tamper-proof screw & screwdriver (supplied with GT-BC) (2) Module-mounting bracket (supplied with GF-3F) (3) Internal wiring connector (4) Joint pipe(x2) (5) Cut out openings in advance.

### Back box



- One 4-module back box
  - Two 2-module back boxes
  - Three 3-module back boxes
  - Back box total width (mm)
- (1) Joint pipe(x2)  
(2) Do not recess back box more than 15mm.

### Image view area



### Interconnecting Modules with Plug-in Connectors

