



DESCRIPTION

The GT-1A is an audio-only tenant station for the GT Series multi-tenant entry system. Up to four GT-1A units can be used in the same tenant location, using a 2-conductor to connect to the rest of the system. It is designed to be surface mounted on a 1-gang box, and has a slim streamlined design.

During a call from a GT entrance station, the tenant station rings and is answered by pushing the talk button. Communication is hands-free or push-to-talk at the tenant station when speaking with the visitor. During communications, the key button will activate the door release for the entrance station that called.

The GT-1A can call to the Concierge/Security Guard station(s) using the bell button or a GFK-PS pull cord (sold separately). An input is also available that can be tied to a separate doorbell button, which will trigger a tone on the GT-1A when it is activated. The option button can be used to activate a light or other device as needed.

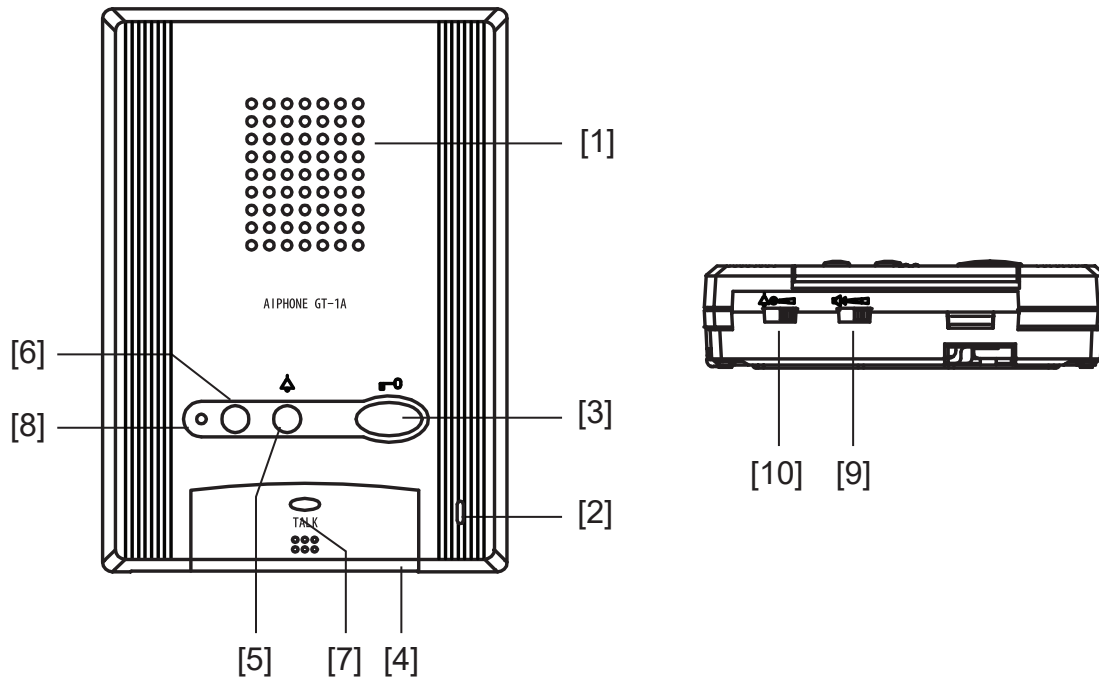
FEATURES

- Hands free audio communication
- Door release
- Call to Security Guard / Concierge station
- Doorbell button input
- Input for external panic switch connection (GFK-PS)
- Volume controls for call tone and communication
- 2-conductor common bus wiring

Model Number

Component Description

FEATURE CALL-OUT



FEATURE CALL-OUT DEFINITIONS

- [1] Speaker
- [2] Microphone
- [3] Door release button
- [4] Talk button
- [5] Light button / Guard station call button
- [6] Service button (option)
- [7] Talk LED
- [8] Call tone off LED
- [9] Receive volume control
- [10] Call tone volume control

SPECIFICATIONS

- Power Source:** 24V DC, supplied from GT-BC
- Call:** Varying ring tones from entrance station, guard, or doorbell
- Communication:** Hands-free or Push-to-Talk
- Capacity:** Max. four stations per resident location
- Wiring:** 2-conductor, PE insulated, common bus
- Mounting:** Wall mount
- Temperature:** 32~104°F (0~40°C)
- Dimensions:** 6-7/8" H x 4-15/16" W x 1-1/4" D
- Weight:** Approx. 0.70 lbs (330g)