

Expanded control units



GT-BCXB-N
Expanded Bus control unit
Available 3rd Quarter 2017



GT-BCX
Expanded Bus control unit

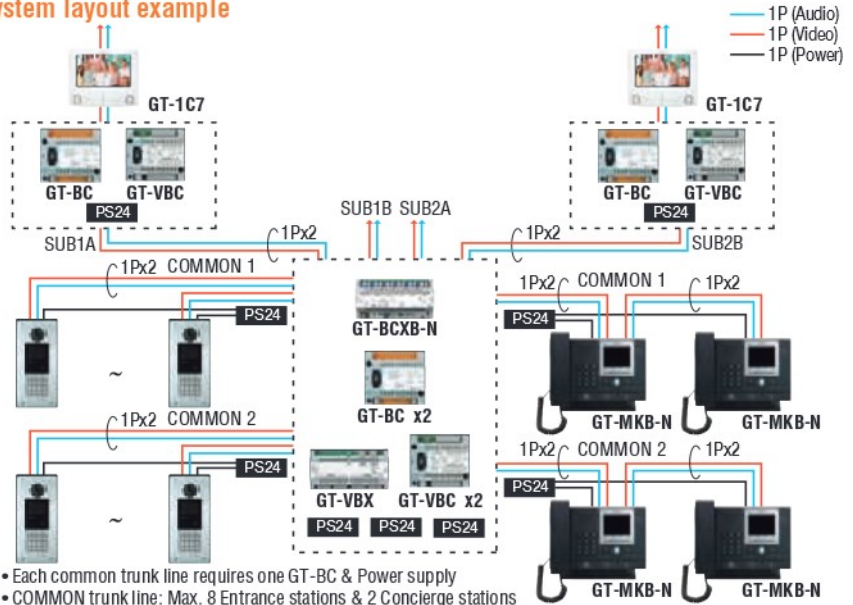


GT-VBX
Expanded video control unit

Features

- Expandable to max. 500 Tenant stations, 16 Entrance stations, and 4 Concierge stations
- * If IP Adaptor (GT-MCX) is used:
 - Max. 500 Tenant stations, 15 Entrance stations and 3 Concierge stations.
 - GT-BCX cannot be used.

System layout example



- Each common trunk line requires one GT-BC & Power supply
- COMMON trunk line: Max. 8 Entrance stations & 2 Concierge stations
- SUB COMMON trunk line: Max. 125 Tenant stations

Specifications

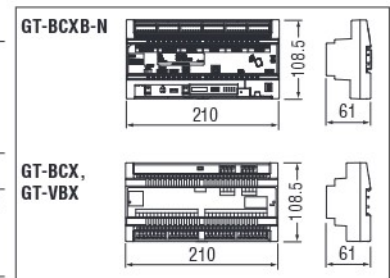
(GT-BCXB-N, GT-BCX, GT-VBX)

Power source GT-BCXB-N, GT-BCX: 24V DC, supplied by PS-2420
 GT-VBX: Supplied from GT-BCXB-N, or GT-BCX

Wiring Common single-pair cable

Material GT-BCXB-N: Self-extinguishing ABS resin
 GT-BCX, GT-VBX: Fire-retardant ABS plastic

Unit dimensions



Power supply

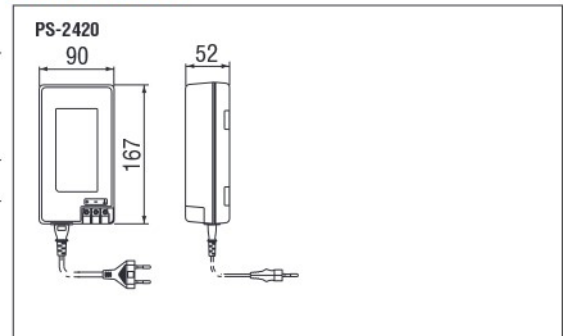


PS-2420

Specifications (PS-2420)

Input voltage & Capacity	100-240V AC,
	50/60Hz
	60W/100-125VA
Output voltage	24V DC, 2A

Unit dimensions



Option



GT-RY
External signaling relay for entrance light, external buzzer



W-DIN11
DIN mounting rail for GT-BC, GT-VBC, GT-4Z



AC-10S
Access control keypad, surface mount → P.101



AC-10F
Access control keypad, flush mount → P.101



AE7090220B AE7090220G AE7090210B AE7090210G
AIPHONE approved product wire → P.106