



DESCRIPTION

The IX-DVM mullion-mount IP video door station is weather and vandal resistant. The unit contains a contactless call sensor for touchless call-in. The touchless sensor incorporates a Class 1 laser. The station connects to a network using Cat-5e/6 cable and is SIP compliant. The station is equipped with a 720p HD, wide dynamic range fixed color camera. The video can be streamed to third-party devices using ONVIF Profile S or RTSP. Video can be captured on a microSD™ card.

The IX-DVM can be programmed to call up to 20 different stations with three different call level selections.

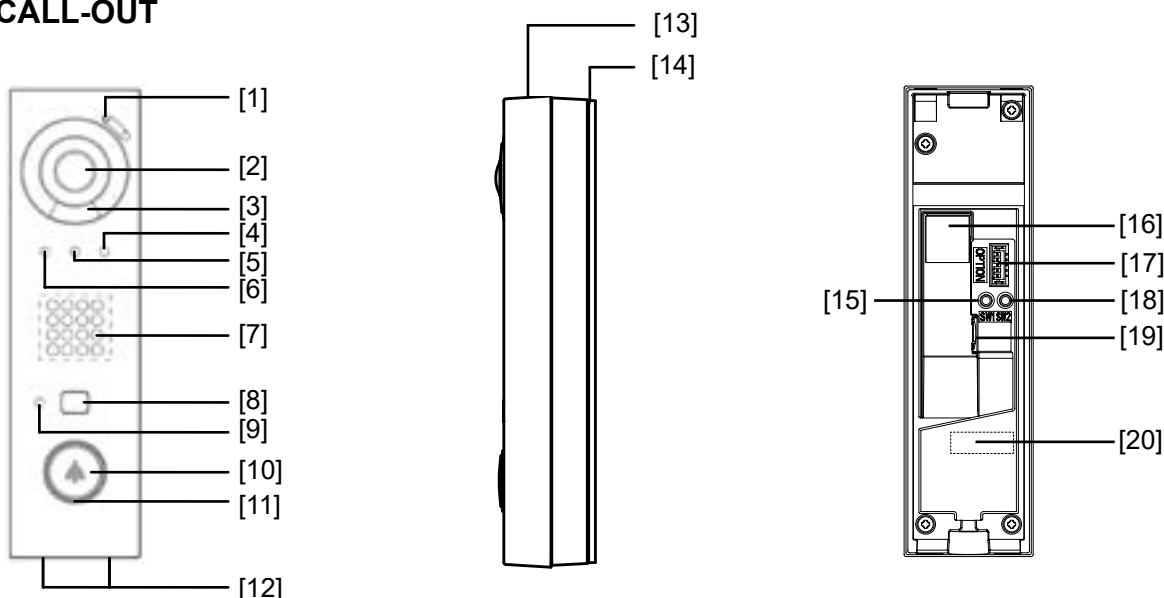
There is one contact output that can be used for door release, and one input that can be used to trigger an outgoing call or answer a call/page.

Sound files can be uploaded for custom messages to be played during certain functions (door release, call placed, communication start, error message, and more). The stations have audible and LED indicators for calling, communication, and door release.

FEATURES

- Trade Agreements Act (TAA) compliant
- Manufactured in Japan
- Small form factor for mullion mounting
- Contactless call sensor
- SIP compliant
- 720p HD, wide dynamic range camera
- White LED for low light illumination
- ONVIF Profile S compliant
- Slot for microSD™ card (not provided by Aiphone)
- One contact output
- One trigger input
- PoE (802.3af)

FEATURE CALL-OUT



FEATURE CALL-OUT DEFINITIONS

- [1] Microphone
- [2] Camera
- [3] LED for low-light illumination
- [4] Door release indicator (green)
- [5] Communication indicator (orange)
- [6] Call indicator (green)
- [7] Speaker
- [8] Contactless call sensor
- [9] Sensor OFF indicator (red)
- [10] Call button
- [11] Status indicator ring (orange/blue)
- [12] Moisture drainage hole
- [13] Intercom station
- [14] Mounting frame
- [15] Reset button
- [16] LAN port
- [17] Option connector terminal.
- [18] Eject button for microSD™
- [19] Card slot for microSD™
- [20] MAC address sticker

SPECIFICATIONS

Power Source:	PoE (IEEE 802.3af class 0)
Power Draw:	4.6W max.
Camera:	720p HD, wide dynamic range
Camera angle:	Approx. 170° horizontal
Class 1 laser:	This product incorporates a Class 1 laser. (transmissions conform with IEC 60825-1:2014)
Relay Output	
Output Method:	Form C dry contact (N/O or N/C)
Contact Rating:	24V AC, 1A (resistive load) 24V DC, 1A (resistive load)
Audio Codec:	G.711 (μ-law, A law), G.722
Video Codec:	H.264/AVC, motion JPEG
Protocols:	IPv4, IPv6, TCP, UDP, SIP, HTTP, HTTPS, RTSP, RTP, RTCP, IGMP, MLD, SMTP, FTP, DHCP, NTP, DNS
Port Security:	IEEE 802.1X
Operating Temp:	-40° ~ 140°F (-40° ~ 60°C)
Protection:	IP54, IK07
Dimensions:	1-7/8" W x 1-5/16" L x 6-7/8" H