

**DESCRIPTION:**

The IX-NVP is a vandal and weather resistant sub station designed for use with the IX Series system. It is SIP compatible and can be used with or without other IX Series stations. The station can be programmed to call up to 20 different stations, with the ability to assign up to three different call levels.

Sound files can be uploaded allowing for custom messages to be played during certain functions (door release, call placed, communication start, error message, etc.).

The IX-NVP is constructed of 12 gauge carbon steel with a white powder-coated finish and will flush mount horizontally into a 3-gang masonry type box (Raco model 692 or equivalent) or surface mount using the SBX-NVP/A.

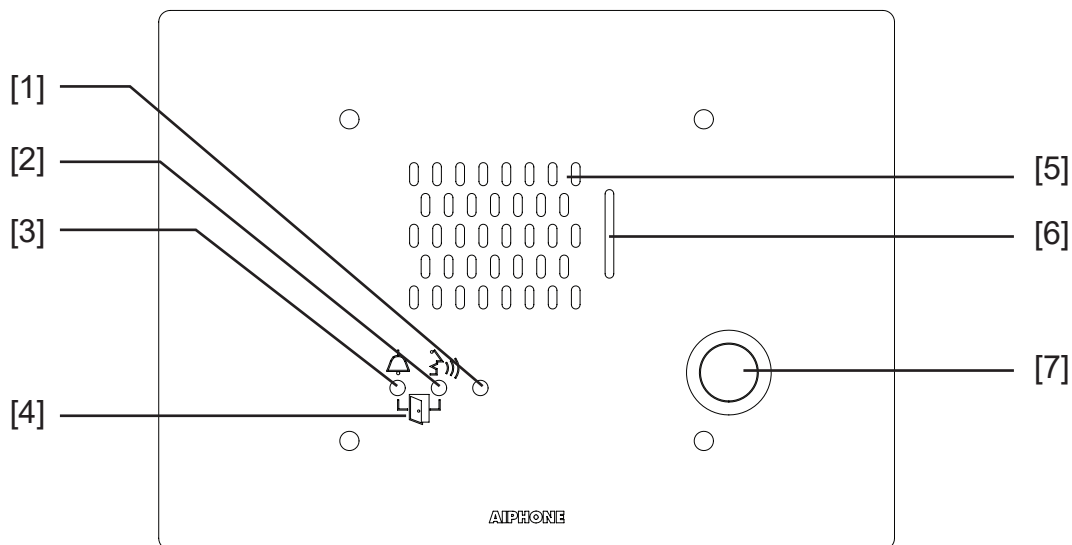
IX-NVP FEATURES:

- SIP compatible
- Weather and vandal resistant
- For indoor or outdoor use
- Normally Open dry contact output (24V AC/DC, 500mA)
- Contact input for call-in
- Connects using CAT-5e/6 cable
- 802.3af PoE compliant

IX-NVP

IP 3-Gang Sub Station

FEATURE CALL-OUT:



FEATURE CALL-OUT DEFINITIONS:

- [1] Status Indicator (Orange/Blue)
- [2] Communication Indicator (Orange)
- [3] Call Indicator (Green)
- [4] Door Release Indicator
(Communication and Call Indicator simultaneously)
- [5] Speaker
- [6] Microphone
- [7] Call Button

SPECIFICATIONS:

- Power Source: 802.3af PoE compliant
- Power Draw: 3.36W
- Audio Codec: G.711 (μ -law, A law), G.722
- Protocols: IPv4, IPv6, TCP, UDP, SIP, HTTP, HTTPS, RTSP, RTP, RTCP, IGMP, MLD, SMTP, FTP, DHCP, NTP, DNS
- Operating Temp: $-40^{\circ} \sim 140^{\circ}\text{F}$ ($-40^{\circ} \sim 60^{\circ}\text{C}$)
- Ingress Protection: IP54
- Dimensions: $5\text{-}\frac{1}{2}\text{''}$ H x $7\text{-}\frac{1}{2}\text{''}$ W x 2" D