

**IX-PR****DESCRIPTION:**

The IX-PR is an IP addressable stainless steel, flush mount audio door station. It is an anti-ligature door station that meets the Australian standards to suit prison applications. The faceplate is marine grade stainless steel, making it weather resistant as well as vandal resistant. It connects to the network using CAT-5e/6 cable. The door stations have a built-in dry contact for door release (24V AC/DC, 500mA). The door station can call up to 20 different master stations (IX-MV). An additional 20 master stations can be called using the contact input. The speaker and microphone allow for two-way communication with a master station. The units are 802.3af PoE compliant.

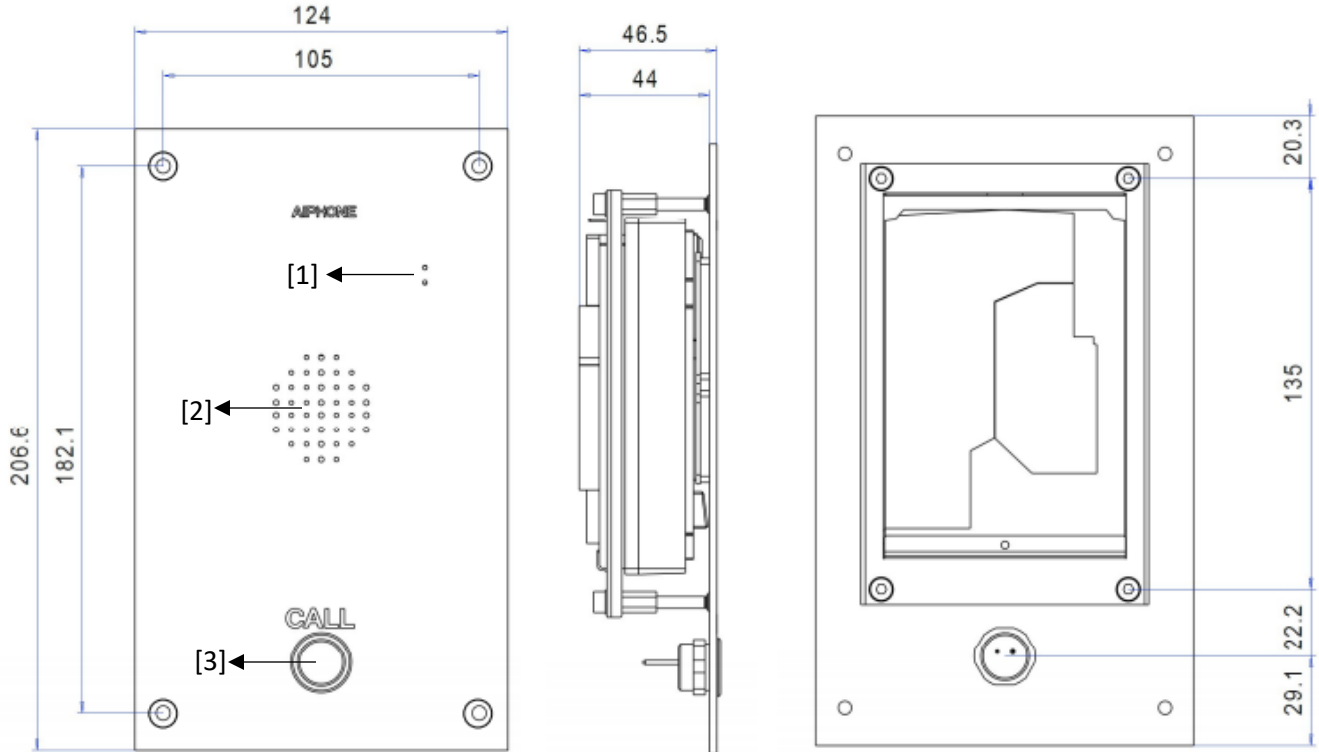
IX-PR FEATURES:

- Anti-ligature door station
- Weather resistant
- Marine grade stainless steel
- For indoor or outdoor use
- Normally Open dry contact for door release (24V AC/DC, 500mA)
- Connects using CAT-5e/6 cable
- 802.3af PoE compliant
- Sealed to IP68 Piezo Switch

IX-PR

IP Addressable Flush Mount Door Station for the IX Series

Measurements. (mm)



Features

- [1] Microphone
- [2] Speaker
- [3] Sealed to IP68 Piezo Switch

Specifications

- Power Source: 802.2af PoE compliant
- Communication: Open voice, hands free
- Wiring: Cat-5e, Cat-6
- Wiring Distance: 100m from PoE switch
- Door Release*: 24V AC/DC, 500mA
(N/O, COM, N/C)
- Operating temperature: -10c to 60c

*Use of IP relay module RY-IP44 recommended for correctional facilities