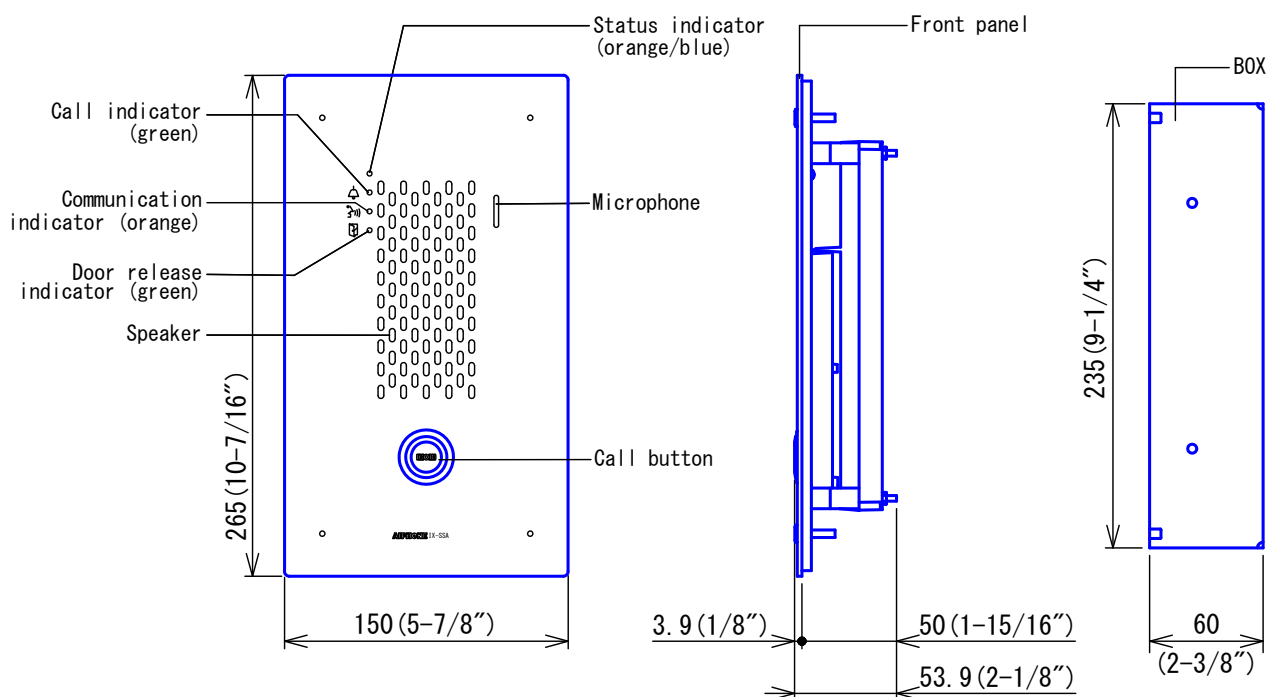


PRODUCT DRAWING

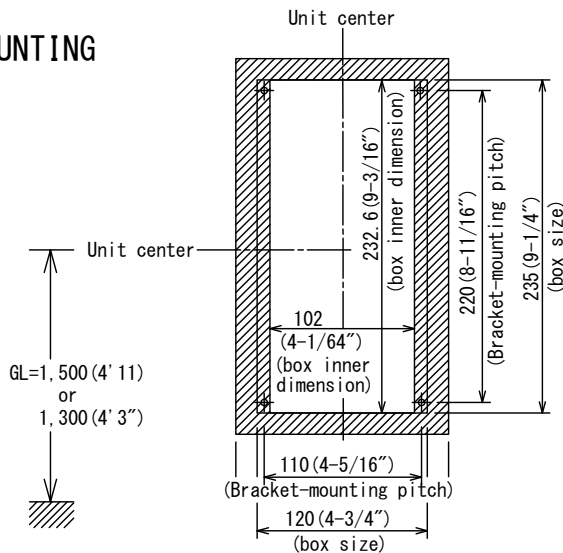


SPECIFICATIONS

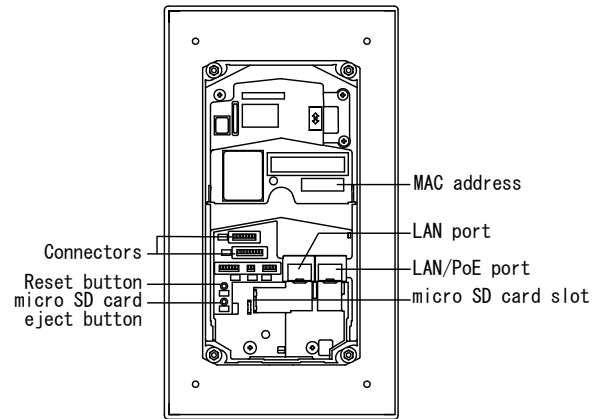
Power source	Power-over-Ethernet(IEEE 802.3af/at Class 0)/ 24V DC External power supply
Current consumption	Power-over-Ethernet Standby: 72mA/Standby with continuous recording: 77mA Maximum: 155mA 24V DC External power supply Standby: 130mA/Standby with continuous recording: 140mA Maximum: 300mA
Type of communication	Hands-free: automatic voice switching
LAN	Ethernet(10BASE-T, 100BASE-TX), MDI(Auto MDI/MDI-X)
Audio codec	G.711(μ-law, A-law)、G.722
Protocol	IPv4, IPv6, TCP, UDP, SIP, HTTP, HTTPS, RTSP, RTP, RTCP, IGMP, MLD, SMTP, FTP, DHCP, NTP, DNS
Encryption method	TLS1.0, TLS1.1, TLS1.2
Packet delivery	Unicast
Number of called stations	20 stations
Ambient temperature	-10~+60°C (+14 ~+140° F)
Mounting	Flush wall-mount
Material	Front panel: stainless steel / Unit case: self-extinguishing ABS resin
Unit color Finish	Front panel: stainless steel, vertical hair-line processed
Weight	Unit: approx. 1.2kg (2.7 lbs) / Box: approx. 690g (1.53 lbs)
IP rating	IP65
IK rating	IK08

DESCRIPTION DOOR STATION	FIG. NAME PRODUCT/SPECIFICATIONS	UNIT mm	DATE 1 November, 2017
MODEL NO. IX-SSA	FIG. NO. 154124-1-4	PAGE 1/4	REVISION 1
			AIPHONE

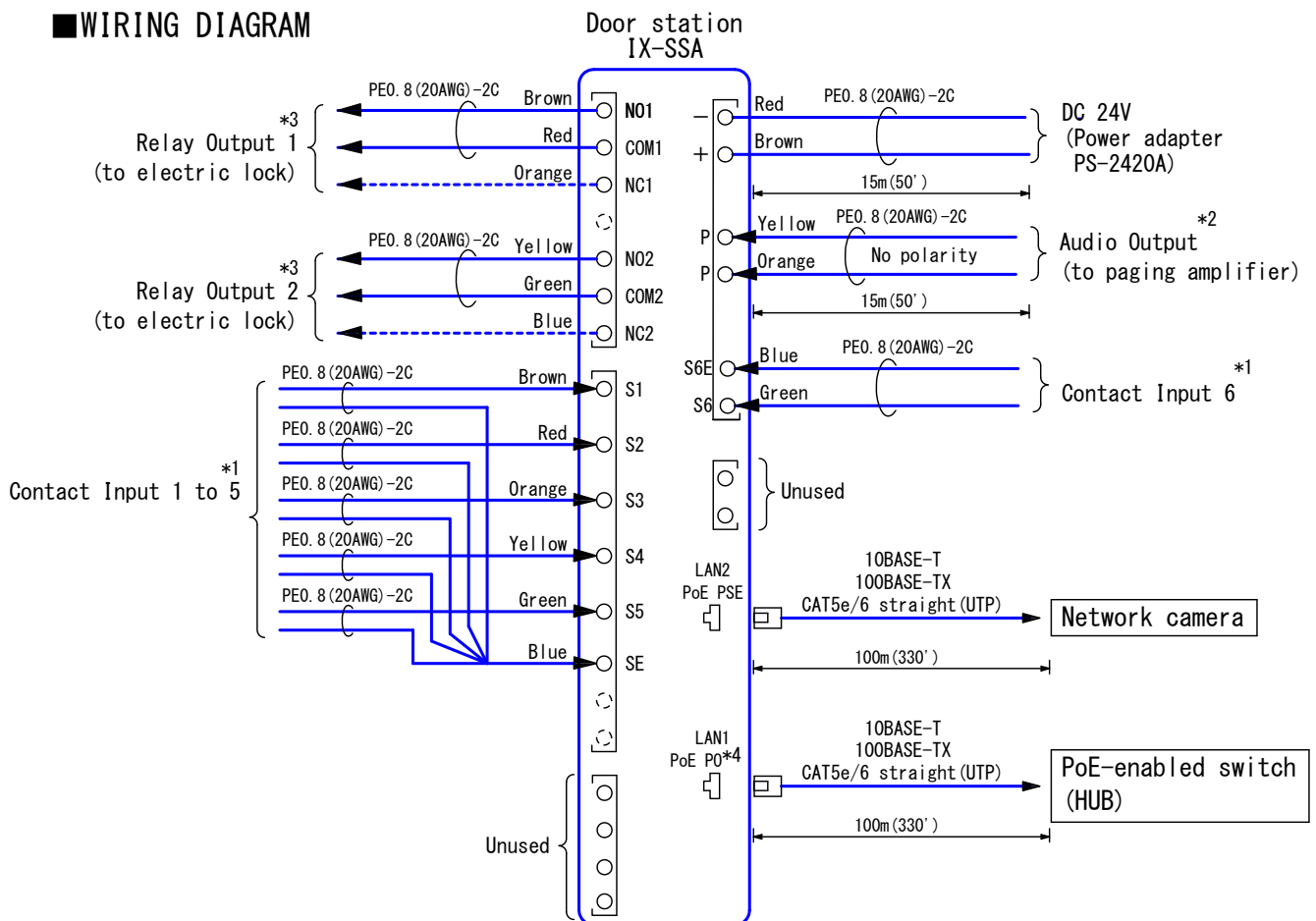
● MOUNTING



<Back view>
Behind the Terminal cover



■ WIRING DIAGRAM



*1. Contact Input Specifications

Input method	Form C dry contact(N/O or N/C) System detecting electromotive signal only
Detection time	100msec or more
Contact resistance	Make: 700Ω or less Break: 3kΩ or more
Terminal short-circuit current	20mA or less
Voltage between terminals	5V DC or less(when open terminals)

*2. Audio Output Specifications

Output impedance	600Ω
Output audio level	300 mVrms(with 600Ω terminal)

*3. Relay Output Specifications

Output method	Form C dry contact(N/O or N/C)
Voltage between terminals	24V AC, 1A(resistive load) 24V DC, 1A(resistive load) Minimum overload(AC/DC) : 100mV, 0.1mA

*4. IEEE802.3af

DESCRIPTION DOOR STATION	FIG. NAME PRODUCT/WIRING DIAGRAM	UNIT mm	DATE 1 November, 2017
MODEL NO. IX-SSA	FIG. NO. 154124-2-4	PAGE 2/4	REVISION 1
			AIPHONE

■ RESTRICTIONS

- A PoE-compatible switch must be used as the switch (hub) for station connection.
- A computer is required to make system settings.
IX system can be configured in one of the two methods, "IX Support Tool" application or Web browser. Once the system has been configured through a browser, the settings cannot be transferred to IX Support Tool. The IX Support Tool is recommended for system settings management.
- Do not cover the moisture escape holes with caulking seals.
- This station is exclusively used with IX Series Master stations.
- While updating the System settings, stations unavailable.

■ RESTRICTIONS ABOUT THE NETWORK

- Connection cannot be made over the Internet (global IP network).
- We do not recommend using a wireless LAN as it may not operate correctly due to security issues or communication speed delays.
- The procedures used for making network settings differ depending on the availability of automatic IP address assignment through DHCP or stateless automatic setup.
- For IPv4 Address with DHCP, due to the architecture of the IX system, DHCP configuration is only recommended for network environments utilizing managed (static) IP address leasing.
- For stateless IPv6 Address, do not change the prefix of the device so that it cannot transmit Router Advertisement (RA).
- For IPv6 Address with DHCP, due to the architecture of the IX system, DHCP configuration is only recommended for network environments utilizing managed (static) IP address leasing.
The DUID of the device: 00030001 + MAC address
- Depending on the network environment and computer, prior arrangements and setup operations involving the network administrator might be necessary.
- Download the Settings data and store it at a safe location. Otherwise, it may become impossible to restore the settings after fixing a failure.
Make sure not to use duplicate file names when saving data.
- Depending on the network environment, operation delay might occur.
- Some time might be required for picture transmission or paging over a network.
- Depending on the network environment or other factors, audio or video dropout, delays, lower frame rates, or other loss of correct operation might occur.
- The protocols used by this system must be supported.
IPv4, IPv6, TCP, UDP, SIP, HTTP, HTTPS, RTSP, RTP, RTCP, IGMP, MLD, SMTP, FTP, DHCP, NTP, DNS
- The network bandwidth required by each device when communicating are as follows.
G. 711 - G. 722 : 64kbps x 2 (in communication), 64kbps x stations (on page)
- IPv4 and IPv6 cannot be mixed in the same system.
- When using multicasting for web-setup network-camera searches, video, or audio, use in an environment that does not reject IGMPv3 or MLDv2.

DESCRIPTION DOOR STATION	FIG. NAME RESTRICTIONS	UNIT mm	DATE 1 November, 2017
MODEL NO. IX-SSA	FIG. NO. 154124-3-4	PAGE 3/4	REVISION 1 AIPHONE

■ FUNCTIONS

- Calling
 - Group Call: Make an outgoing call to all stations that belong to the selected group.
 - Contact input call: Make an outgoing call to all stations that belong to the selected Contact input call group.
- Response function
 - Call response: When receiving a call, respond using Call Button. (Requires setup.)
- Audio recording function
 - Audio recording: Record audio of call to a microSD card at the start of or during a call.
 - Audio playback: Play an audio recording saved to a microSD card on a computer.
- Paging
 - Receive a page
- Others
 - Send e-mails: E-mails can be sent to pre-registered e-mail addresses when triggering events occur.
 - Schedule-linked message: Play message data following a preset schedule.
- Indicators

Name	Status *	Description
Status indicator	Orange flashing	Booting
		Device error
		Communication failure
		Firmware version upgrading
		Initializing
	Blue light	In communication, normal operation
	Blue flashing	Call destination busy
		Incoming call
Incoming paging		
	Station monitored	
Call indicator	Green flashing	Outgoing calling
Communication indicator	Orange light	In communication
Door release indicator	Green flashing	Door releasing

*. The flashing pattern varies depending on the state of door station.

DESCRIPTION DOOR STATION	FIG. NAME FUNCTIONS	UNIT mm	DATE 1 November, 2017
MODEL NO. IX-SSA	FIG. NO. 154124-4-4	PAGE 4/4	REVISION 1
			AIPHONE