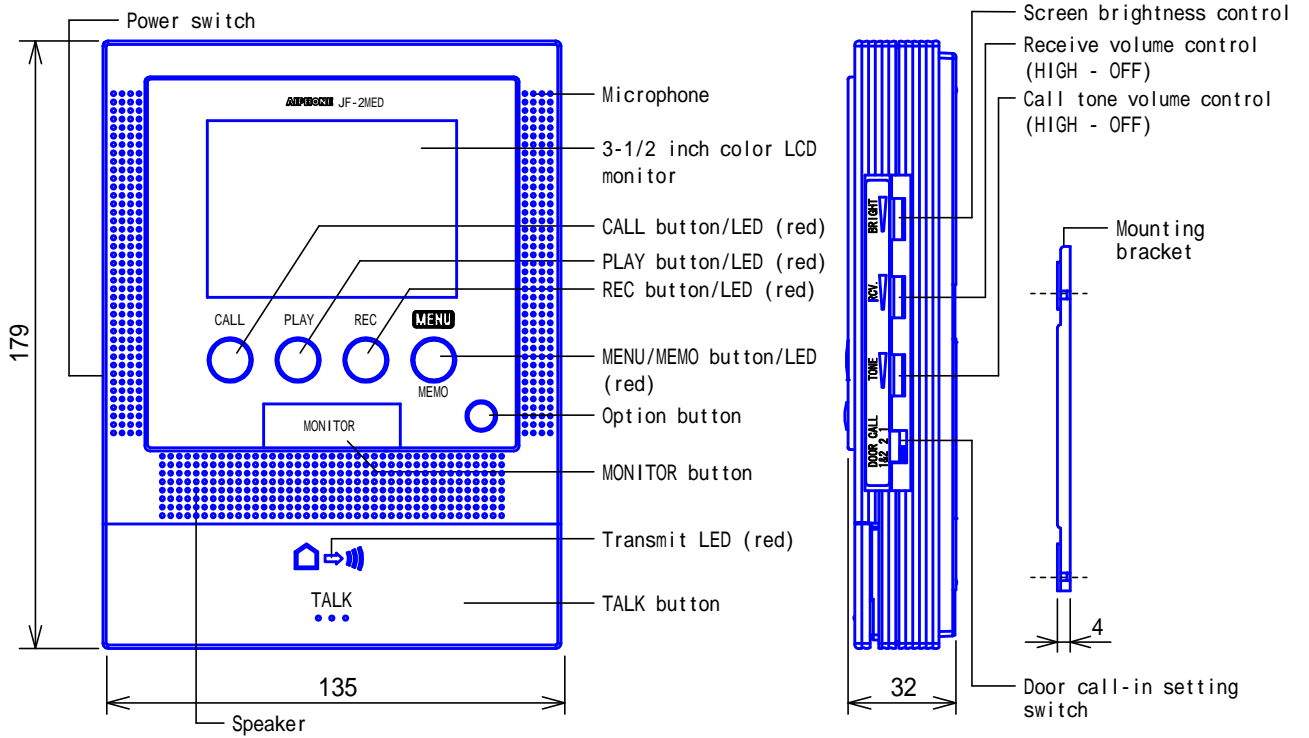
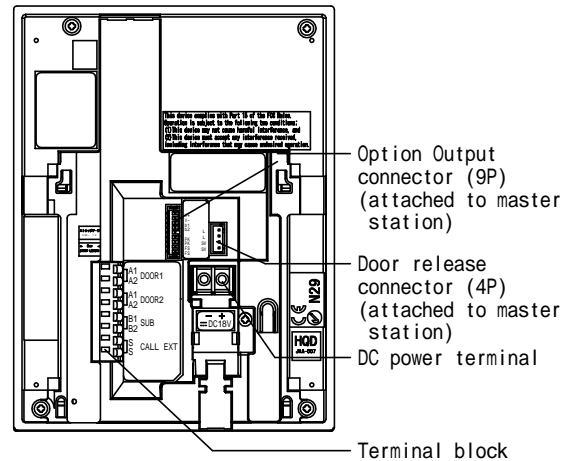
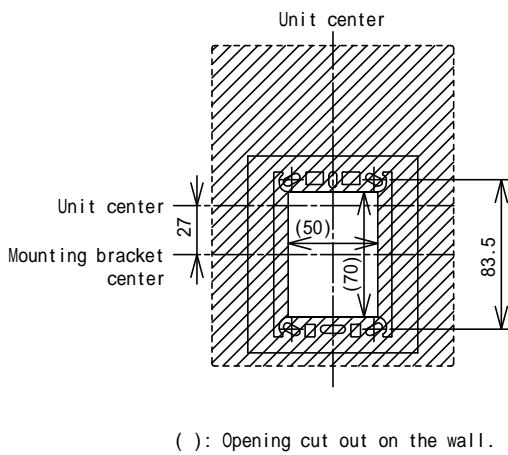


PRODUCT DRAWING



MOUNTING



DESCRIPTION	FIG. NAME		UNIT	DATE
MASTER STATION (Color monitor)	PRODUCT DRAWING		mm	12 October, 2006
MODEL NO.	FIG. NO.	PAGE	REVISION	AIPHONE
JF-2MED	50759-1-5	1/5	1	

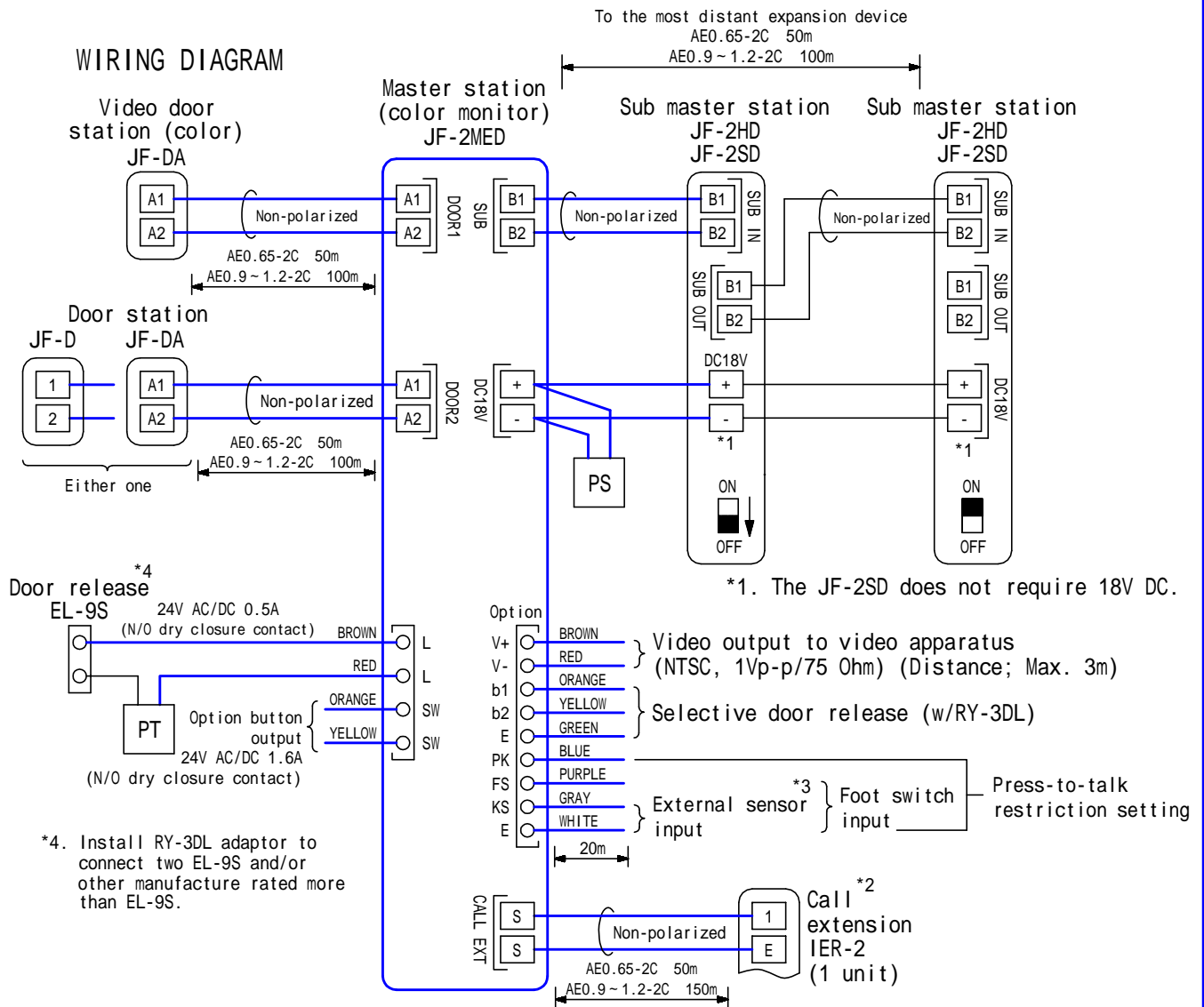
SPECIFICATIONS

Power source	18V DC, Supplied from a power supply
Power consumption	400mA (max.)
Video monitor	3-1/2 inch TFT color LCD
Pixels	120,000 pixels
Type of communication	Open voice hands-free auto-voice actuation or Press-to-talk communication
Station capacity	Video door station: 2 units
	Audio door station: 1 unit
	Sub station (w/monitor): 2 units
	Audio sub station: 2 units
	Total 2 units
	Total 2 units
	Call extension: 1 unit
External sensor input	1 input (N/O dry closure contact)
	Notification sound
Picture memory	50 pictures (8 shots/picture)
Save picture	10 pictures
Door release contact	24V AC/DC, 0.5A (N/O dry closure contact)
Call tone	Door: 4 selections
	Between inside station: Pre-tone & voice direct
Ambient temperature	0 ~ 40
Mounting	Surface wall mount
Electrical box	Single-gang box
Housing	Unit case: Fire-retardant ABS plastic
	Acrylic panel: Fire-retardant plastic
Weight	Approx. 440g(0.97lbs.)
Unit color	Panel: Metallic silver
	Front case: Snow white(5Y9.3/0.1 Munsell Approximation)

DESCRIPTION	FIG. NAME	UNIT	DATE
MASTER STATION (Color monitor)	SPECIFICATIONS	mm	2 October, 2006
MODEL NO.	FIG.NO.	PAGE	REVISION
JF-2MED	50759-2-5	2/5	1

AIPHONE

WIRING DIAGRAM



*1. The JF-2SD does not require 18V DC.

*4. Install RY-3DL adaptor to connect two EL-9S and/or other manufacture rated more than EL-9S.

- PS : 18V DC, PS-1820 or PS-1810DIN power supply
- PT : AC transformer

*2. The Call extension makes the following sounds

Call tone	The same sound as the call tone setting
Notification tone	Pororororon

External sensor input specifications

Input method	N/O dry closure contact External sensor input (start signal only detection method)
Detection confirmation time	100 mSec or more
Contact resistance	During dry closure: Less than 700
Terminal short current	Less than 10mA
Voltage between terminals	Less than DC 20V (when open between terminals)

*3. When the output of the External sensor has polarity, set to KS (+) or E (-) and connect.

RESTRICTIONS

- Due to hands-free auto-voice actuation system, smooth voice switching may be hindered by voice strength of the opponent or ambient noise, etc.
- One Call extension can be connected. However instant voice call of door station is not available from Call extension.
- The adjusting with call tone volume on the Master station does not vary the volume from Call extension.
- Instant voice call is not activated when calling from JF-D audio door station.

DESCRIPTION	FIG. NAME	UNIT	DATE
MASTER STATION (Color monitor)	WIRING/RESTRICTIONS	mm	2 October, 2006
MODEL NO.	FIG.NO.	PAGE	REVISION
JF-2MED	50759-3-5	3/5	1

AIPHONE

FUNCTIONS

Calling door station, call stand-by approx. 45 sec.
 Hands-free auto-voice actuation communication, approx. 1 min. timed
 Transmit LED is steadily lit in red while speaking.
 Press-to-talk communication, after depressing TALK button approx. 1 sec. or more
 Instant voice call: Instant-on audio and video, upon called from door station
 (approx. 45 seconds)
 All-Call the inside stations (Master & Sub-master) (approx. 10 min.)
 External sensor input: When external sensor activates, monitor stations are notified by
 displaying icon (Ⓜ), notification sounds, and flashing Transmit LED
 (door station 1 also sounds by setting)
 Reset notification by pressing CALL button or sounds stop automatically after 30 sec.
 by setting
 Monitoring audio/video of door station, approx. 1 min. timed.
 Transfer entrance call to another inside station
 Activating door strike: Press "MENU/MEMO" button, then press "CALL" button
 Provides video signal output while monitor is on
 Foot switch connection: Connectable external switch to operate the same operation as
 TALK button
 Press-to-talk restriction: Disable Press-to-talk function
 Option button: Controls external device such as entrance light

<Picture memory>

Records call from video door station automatically (first shot is recorded after 2
 seconds, and total of 8 shots per sec.) / REC LED flashes (red)
 Press REC button to record manually (total of 8 shots per sec.) / REC LED flashes (red)
 Max. 50 pictures can be recorded (automatic and manual recording), (max. 8 shots per
 picture)
 Save max. 10 pictures

<Voice Memo>

Leave messages internally
 Max. 3 messages can be recorded (approx. 15 sec. per message)

<Message for entrance>

Recorded messages can be played from door station by operation of monitor station
 Max. 2 messages can be recorded (approx. 10 sec. per message)

SETTING

Adjust Screen brightness (sliding) BRIGHT (screen brightness) control
 Adjust Receive volume (HIGH - LOW) RCV. (receive) volume control
 (Instant voice call is also adjusted)
 Adjust Call tone volume (HIGH - OFF) TONE (call tone) volume control
 (Notification sounds is also adjusted)
 Select door call-in (1 & 2, 1, 2)..... Call-in setting switch
 Press-to-talk restriction..... Option connector
 Short-circuit PK (Blue) and E (White)

<Setting before use>

Language (English/French/German/Spanish/Dutch)
 Date/Time
 Screen background color (Black/Orange/Green/Blue)
 Door station Call tone (1 to 4 for each door 1 and 2)
 Door station 2 (Video/Audio/None)
 Door release (on/off)
 External sensor input
 (The notification period: 30 sec./Continuously/Continuously, also DOOR1)

DESCRIPTION	FIG. NAME	UNIT	DATE
MASTER STATION (Color monitor)	FUNCTIONS/SETTING	mm	9 October, 2006
MODEL NO.	FIG.NO.	PAGE	REVISION
JF-2MED	50759-4-5	4/5	1

AIPHONE

RESTRICTIONS ON WIRING

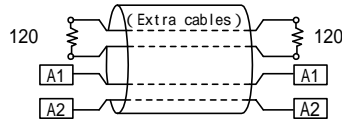
For wiring, it is recommended to use a single vinyl jacketed cable with PE (polyethylene) insulation. The following cables can not be used;

- Coaxial cable
- Individual conductors
- Twisted pair cable
- Cable with conductors in odd number



Besides 2-conductor cable, when using a cable with extra wires, terminate with a 120 Ohm at both ends of an extra pair(s).

(Otherwise, the system does not operate properly, affecting seriously on communication).

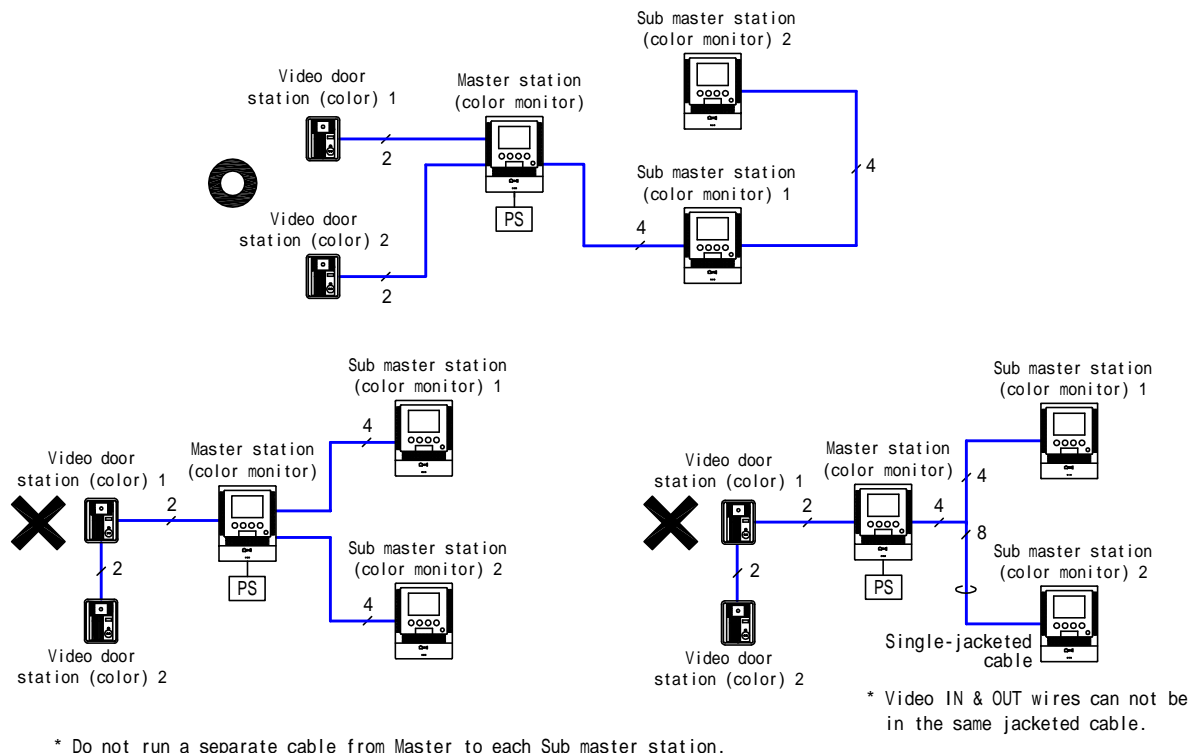


Do not run intercom wires and door release wires in a same jacketed cable, and keep two cables more than 10cm away from each other. (The door station can not complete a call)

Keep the intercom wires more than 30cm away from AC power lines.

(It causes noise in communication and malfunction) When using the existing cable run, the system may not work properly by type. In that case, it becomes necessary to install a new cable.

The Master & Sub master stations shall be wired in a Monitor-to-Monitor manner (like a line drawn with a single brush). (System does not operate properly, deteriorating image quality.)



* Video IN & OUT wires can not be in the same jacketed cable.

The same holds true on Audio sub station.

DESCRIPTION MASTER STATION (Color monitor)	FIG. NAME RESTRICTIONS ON WIRING	UNIT mm	DATE 17 August, 2006
MODEL NO. JF-2MED	FIG. NO. 50759-5-5	PAGE 5/5	REVISION 1
			AIPHONE