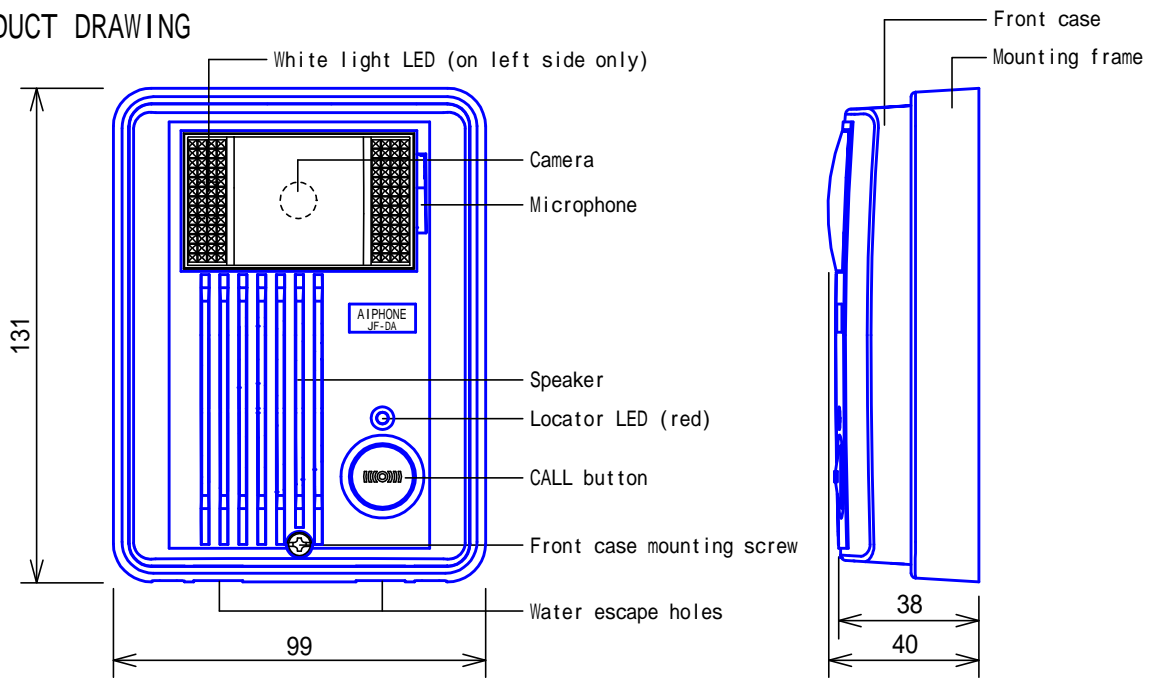
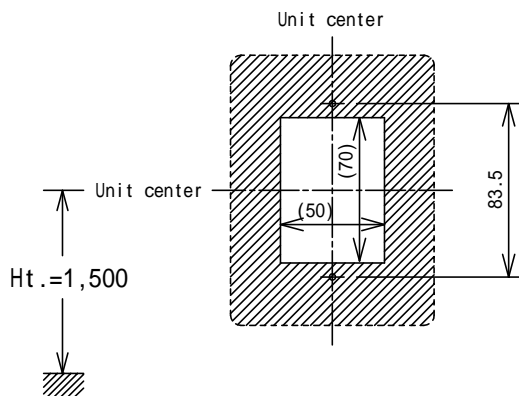


PRODUCT DRAWING



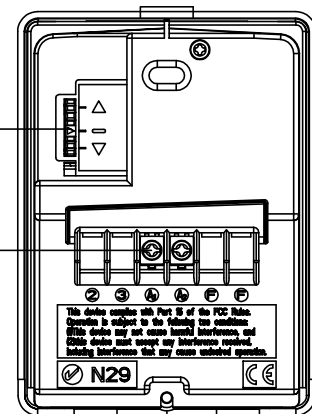
MOUNTING



70(H) x 50(W): Opening cut out on the wall.

Camera angle lever
(-6°, 0°, +16°)

Terminals



BACK VIEW

SPECIFICATIONS

Power source	Supplied from Master station
Type of communication	Open voice hands-free communication
Camera	1/4 inch color CCD
Pixels	250,000 Pixels
Minimum illumination	5 Lux
Camera angle adjustment	-6°, 0°, +16° (3-position)
Ambient temperature	-10 ~ 60
Mounting	Surface wall mount
Electrical box	Single-gang box
Housing	Fire-retardant PC + PS plastic
Weight	210g (approx.)
Unit color	Viscount (gray) (5YR4/0.2 Munsell Approximation)
Remarks	Weather-resistant (JIS C 0920 Protection Class 3 equivalent)

DESCRIPTION	FIG. NAME	UNIT	DATE
VIDEO DOOR STATION (Color)	PRODUCT/SPECIFICATIONS	mm	22 June, 2006
MODEL NO.	FIG.NO.	PAGE	REVISION
JF-DA	50782-1-2	1/2	1

AIPHONE

WIRING DIAGRAM

Video door station

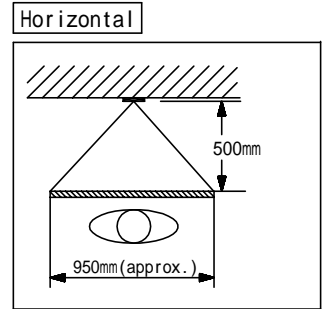
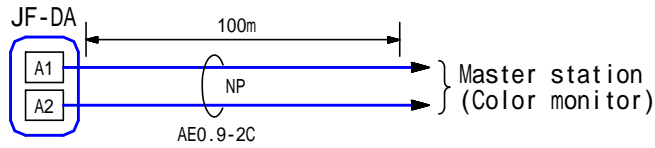
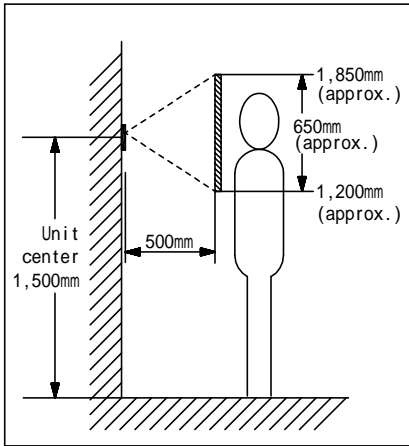


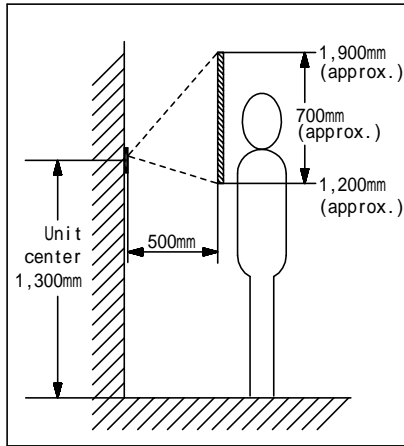
IMAGE VIEW AREA & MOUNTING HEIGHT

Vertical

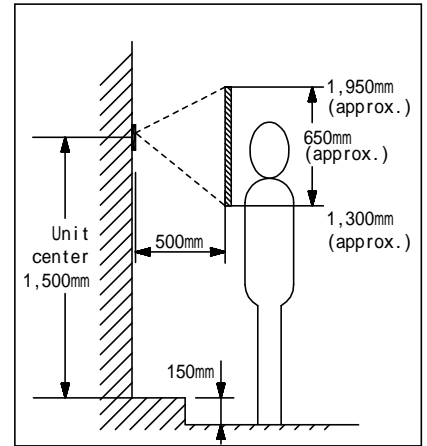
Camera angle 0° Straight forward position



Camera angle +16°



Camera angle -6° Where standing location is a step lower;



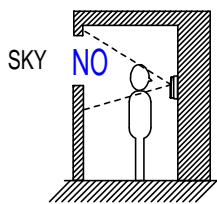
RESTRICTIONS

Do not cover the water escape holes with caulking seals.

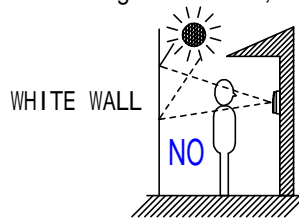
JF-DA door station is exclusively used with JF & JB Series Master stations.

JF-DA is mountable on each Angle box: JBW-D, KAW-D & MLW-DT.

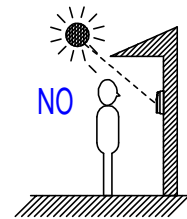
Avoid to install JF-DA in the following locations;



At the Entrance where background is sky in upper floors of Condominiums, etc.



The background of the standing caller's is white wall.



Where the standing location is strongly sunlit.

FUNCTIONS

Initiating a call to and entering communication with Master station

White light LED turns on in low-light conditions

Locator LED is steadily lit while the Master station is in powered status

DESCRIPTION	FIG. NAME	UNIT	DATE
VIDEO DOOR STATION (Color)	WIRING/IMAGE/RESTR./FCN.	mm	2 October, 2006
MODEL NO.	FIG.NO.	PAGE	REVISION
JF-DA	50782-2-2	2/2	1

AIPHONE