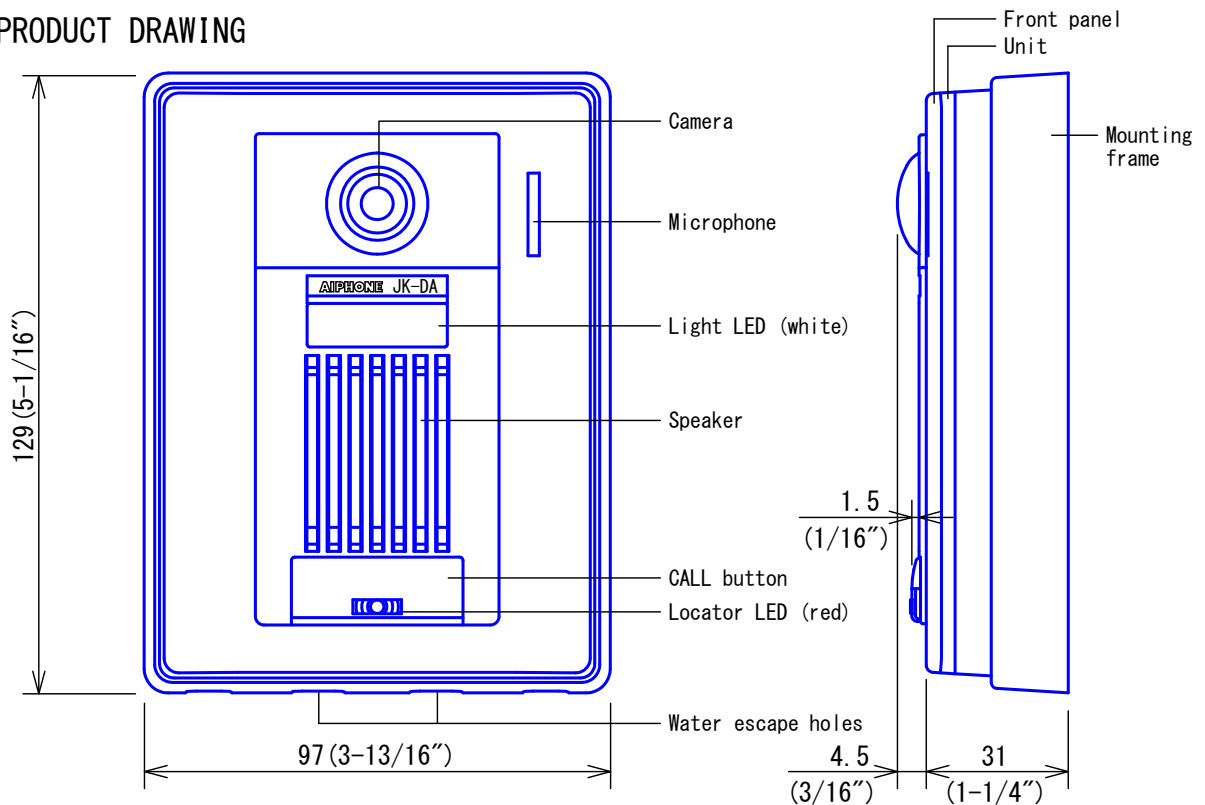
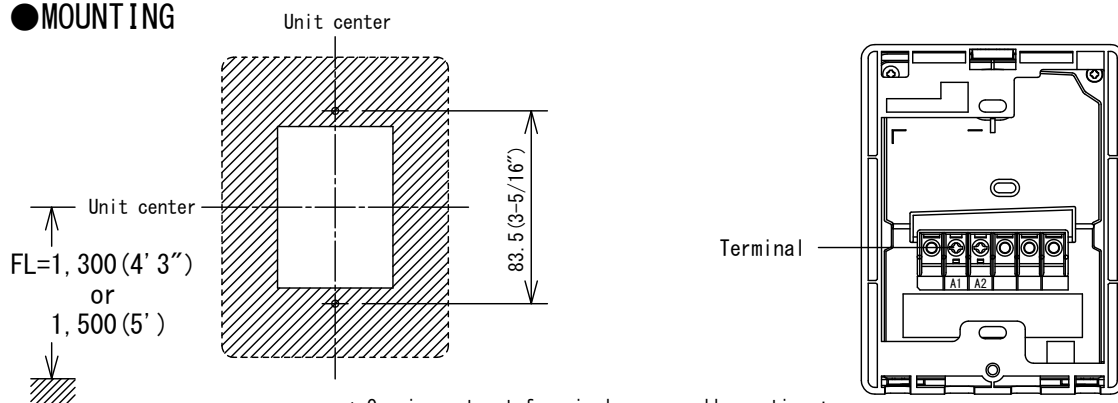


PRODUCT DRAWING



MOUNTING



* Opening cut out for single-gang wall mounting :
H70 (2-3/4") x W50 (1-15/16")

SPECIFICATIONS

Power source	Supplied from Master station or Residential/tenant station
Type of communication	Open voice hands-free communication
Camera	1/4 inch color CMOS
Minimum illumination	5 lux (approx.)
Camera angle	Wide: 170° (approx.) (Horizontal)
Ambient temperature	-10~+60°C (+14~+140° F)
Mounting	Surface wall-mount (Directly to wall or electrical box)
Electrical box	Single-gang box
Material	Self-extinguishing ABS plastic
Weight	190g (approx.) (0.42 lbs)
Unit color	Front panel: Shining silver Unit: Clear Black
Remarks	Weather-resistant (JIS C 0920 Protection grade 3 equivalent)

DESCRIPTION	FIG. NAME	UNIT	DATE
VIDEO DOOR STATION (Color)	PRODUCT/SPECIFICATIONS	mm	14 July, 2017
MODEL NO.	FIG. NO.	PAGE	REVISION
JK-DA	56832-1-3	1/3	3

AIPHONE

WIRING DIAGRAM

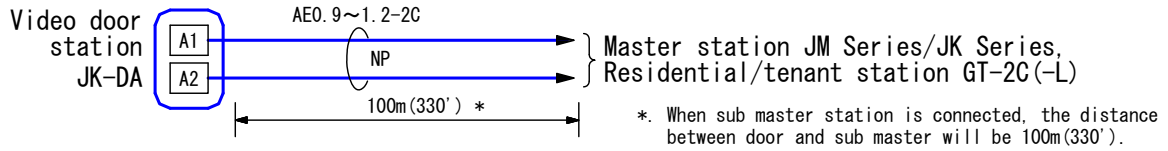
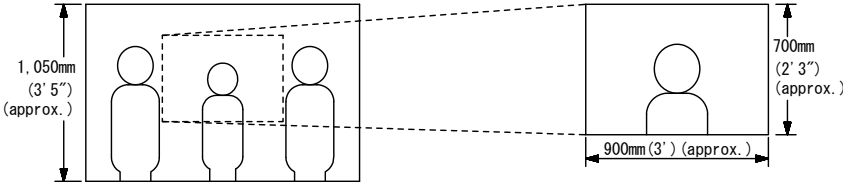


IMAGE VIEW AREA & MOUNTING HEIGHT

Wide

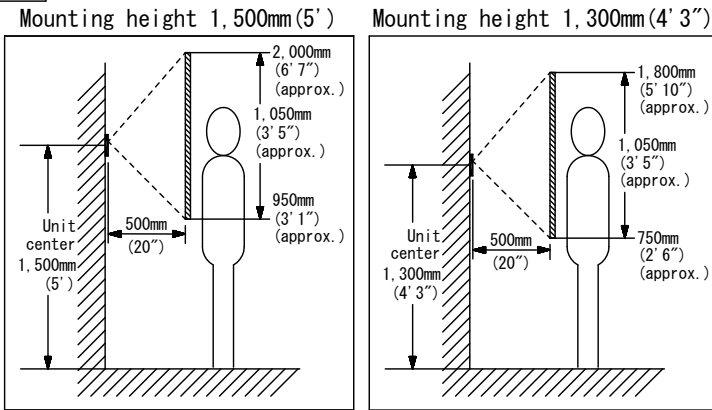


- Objects appear smaller due to greater distortion in the surrounding sections compared to the central section, but a wider area is displayed.
- Image view area depends on the camera zoom position.

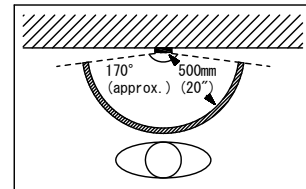
Zoom

Wide

Vertical

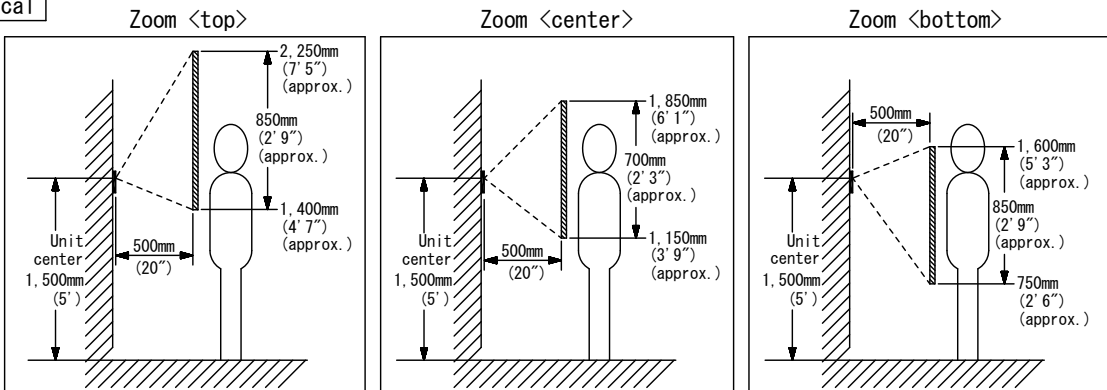


Horizontal

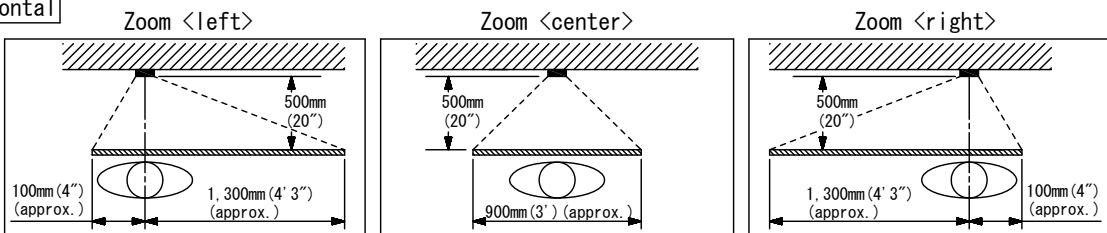


Zoom (Mounting height: 1,500mm (5'))

Vertical



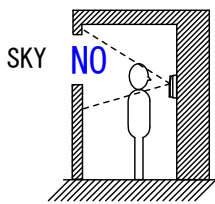
Horizontal



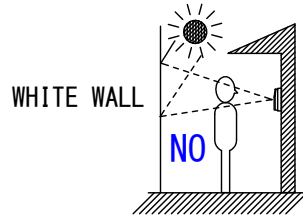
DESCRIPTION VIDEO DOOR STATION (Color)	FIG. NAME WIRING DIAGRAM/IMAGE	UNIT mm	DATE 14 July, 2017
MODEL NO. JK-DA	FIG. NO. 56832-2-3	PAGE 2/3	REVISION 3
			AIPHONE

■ RESTRICTIONS

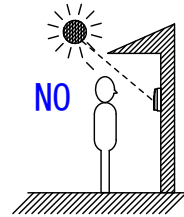
- Do not cover the water escape holes with caulking seals.
- JK-DA door station is exclusively used with JK Series, JM Series, and GT-2C(-L).
- Avoid to install JK-DA in the following locations;



At the Entrance where background is sky in upper floors of Condominiums, etc.



The background of the standing caller's is white wall.



Where the standing location is strongly sunlit.

■ FUNCTIONS

- Initiating a call to and entering communication with Master station or Residential/tenant station.
- The illuminator LED lights up during communication with Master station or Residential/tenant station.

DESCRIPTION VIDEO DOOR STATION (Color)	FIG. NAME RESTRICTIONS/FUNCTIONS	UNIT mm	DATE 7 July, 2017
MODEL NO. JK-DA	FIG. NO. 56832-3-3	PAGE 3/3	REVISION 3
			AIPHONE