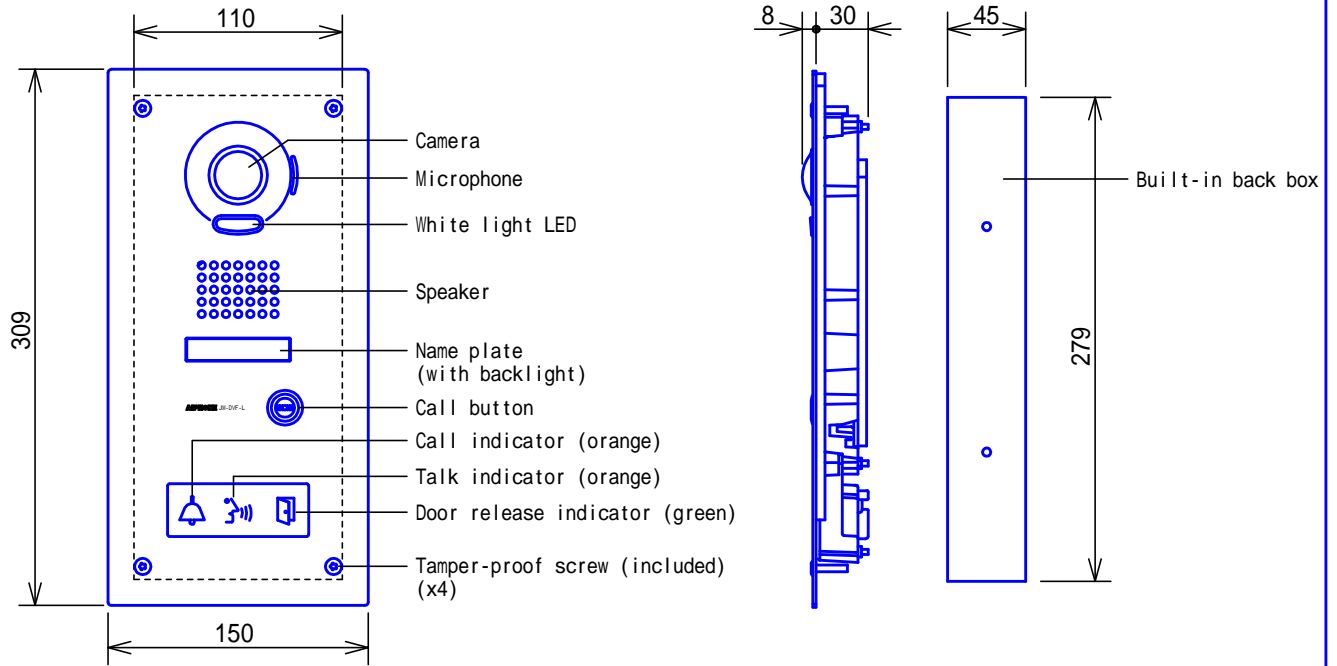
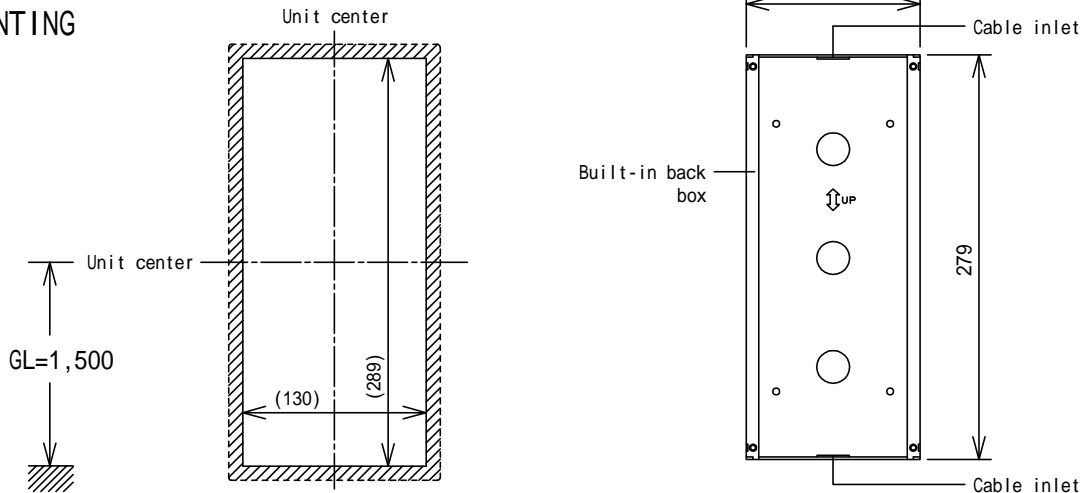


PRODUCT DRAWING



MOUNTING



() : Opening cut out on the wall for the built-in back box.

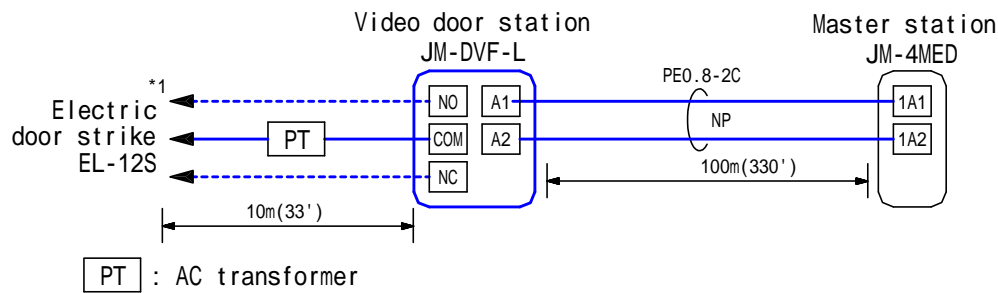
SPECIFICATIONS

Power source	Supplied from Master station
Type of communication	Open voice hands-free communication
Camera	1/4 inch color CMOS
Minimum illumination	5 Lux
Camera angle	Wide: 170 ° (approx.) (Horizontal)
Ambient temperature	-10 ~ 60
Mounting	Flush mount
Electrical box	Not used (Mounts on built-in back box.)
Housing	Front panel: Stainless steel.
Weight	980g (approx.)(2.1lbs), back box 670g (approx.)(1.5lbs)
Unit color	Stainless steel, vertical hair-line processed.
Remarks	Weather-resistant (JIS C 0920 Protection Class 3 equivalent)

DESCRIPTION VIDEO DOOR STATION (Color, Vandal-resistant)	FIG. NAME PRODUCT/SPECIFICATIONS	UNIT mm	DATE 26 September, 2012
MODEL NO. JM-DVF-L	FIG.NO. J59046-1-3	PAGE 1/3	REVISION 1

AIPHONE

WIRING DIAGRAM

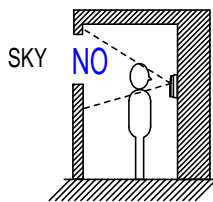


*1. Output specifications

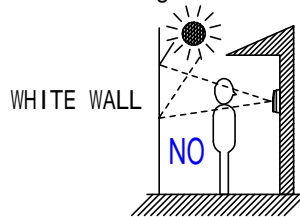
Output method	N/O or N/C dry closure contact
Voltage between terminals	24V AC, 0.5A (resistive load)
	24V DC, 0.5A (resistive load)
	Minimum overload (AC/DC): 100mV, 0.1mA

RESTRICTIONS

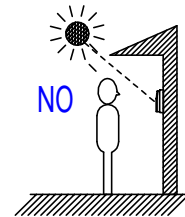
JM-DVF-L door station is exclusively used with JM Series Master stations.
 Avoid to install JM-DVF-L in the following locations;



At the Entrance where background is sky in upper floors of Condominiums, etc.



The background of the standing caller's is white wall.



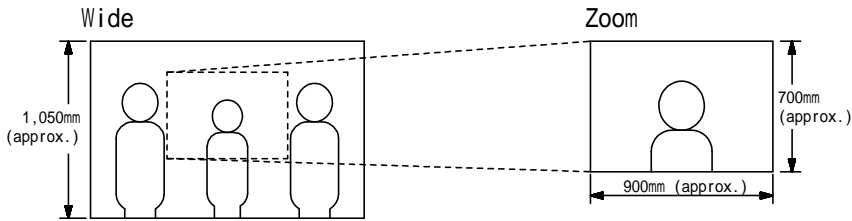
Where the standing location is strongly sunlit.

FUNCTIONS

Initiating a call to and entering communication with Master station
 Calling/communicating with/image checking (with guidance) with Residential station.
 Activating door release by a Residential station(s)

DESCRIPTION VIDEO DOOR STATION (Color, Vandal-resistant)	FIG. NAME WIRING/RESTR./FCN.	UNIT mm	DATE 26 September, 2012
MODEL NO. JM-DVF-L	FIG.NO. J59046-2-3	PAGE 2/3	REVISION 1
			AIPHONE

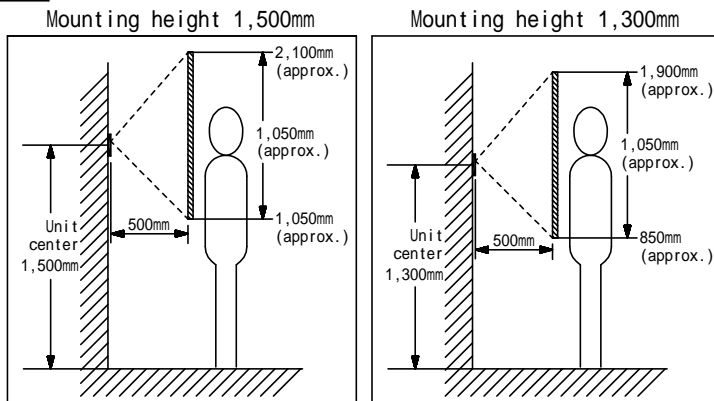
IMAGE VIEW AREA & MOUNTING HEIGHT



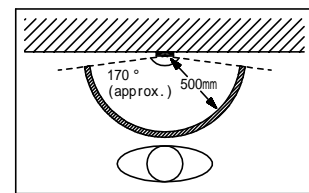
Objects appear smaller due to greater distortion in the surrounding sections compared to the central section, but a wider area is displayed.
Image view area depends on the camera zoom position.

Wide

Vertical



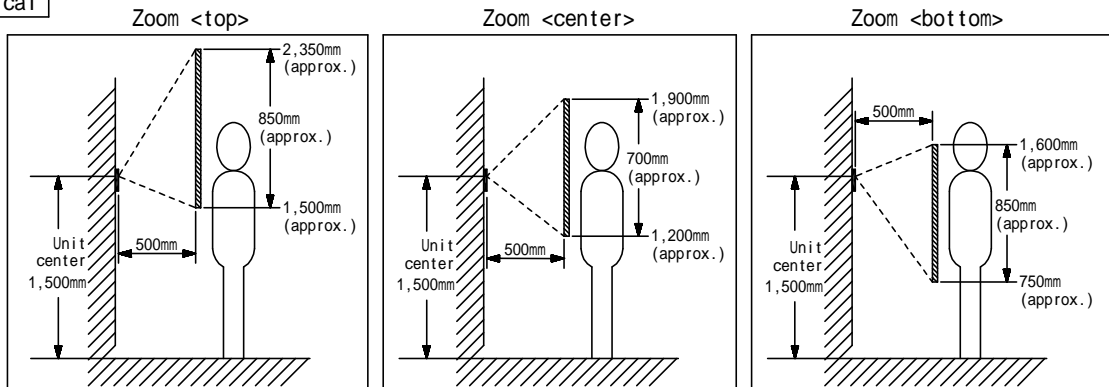
Horizontal



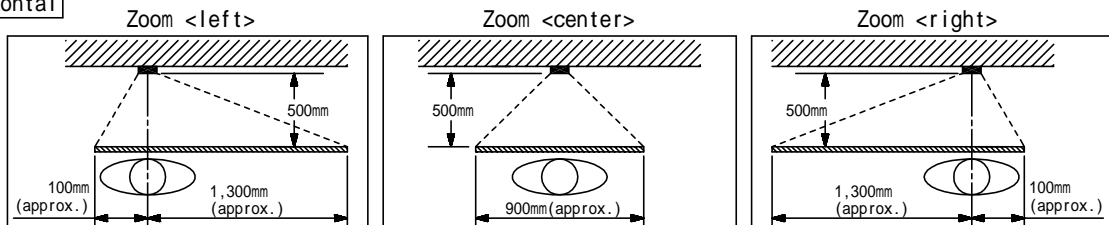
An area over a range of approx. 170° in a 500mm(20") radius from the camera displays. (The display range is a rough estimation and may change due to the installation environment.)

Zoom (Mounting height: 1,500mm)

Vertical



Horizontal



DESCRIPTION VIDEO DOOR STATION	(Color, Vandal-resistant)	FIG. NAME IMAGE VIEW AREA	UNIT mm	DATE 26 September, 2012
MODEL NO. JM-DVF-L		FIG.NO. J59046-3-3	PAGE 3/3	REVISION 1
				AIPHONE