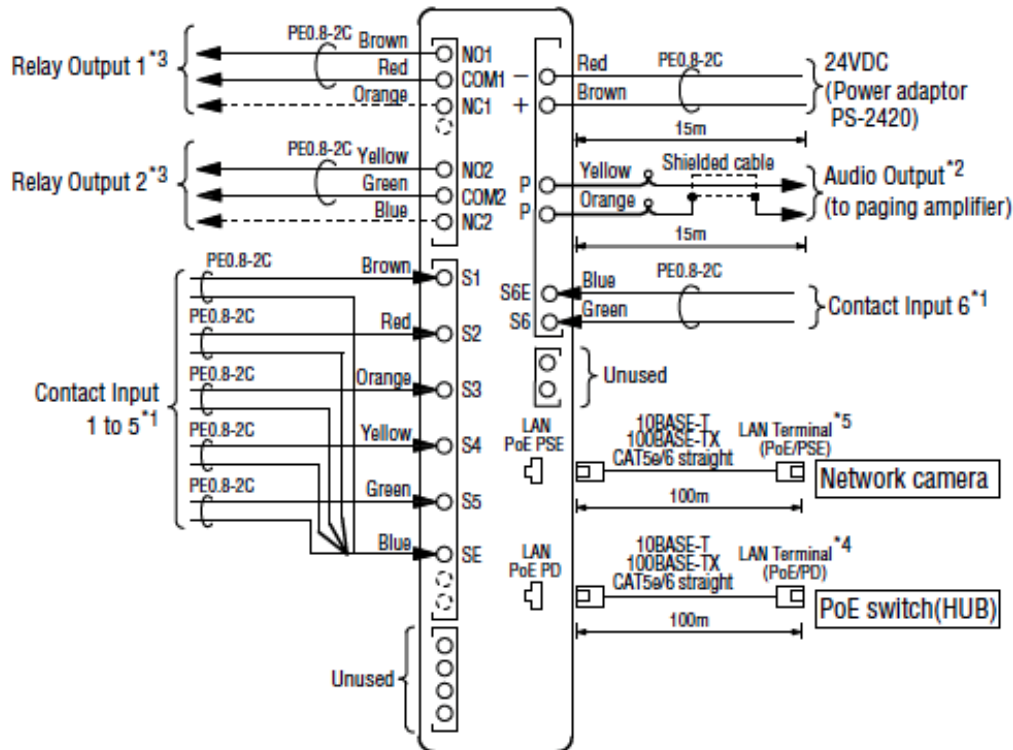


T4001450

Wiring

IX-DV, IX-DVF, IX-DVF-P



*1. Contact Input Specifications

Input method	Programmable dry contact (N/O or N/C)
Detection time	Level detection method
Detection time	200msec-600sec by settings
Contact resistance	Make: 700Ω or less, Break: 3kΩ or more
Terminal short-circuit current	20mA or less
Voltage between terminals	5V DC or less (between open terminals)

*2. Audio Output Specifications

Output impedance	600Ω
Output audio level	300 mVrms (with 600Ω terminal)

*3. Relay Output Specifications

Output method	Form C dry contact (N/O or N/C)
Contact rating audio level	24V AC, 1A (resistive load)
	24V DC, 1A (resistive load)
	Minimum overload (AC/DC) : 100mV, 0.1mA

*4. The intercom unit can be powered by using a PoE switch or Aiphone PS-2420 power supply. In the case "PoE PSE" output of the intercom unit is used to power other devices, IEEE802.3at compatible PoE switch must be used to power the intercom unit. In the case both a PoE switch and Aiphone PS-2420 power supply are used in combination to power the intercom unit, PS-2420 can provide back-up power if the PoE power supply fails. This allows continuous recording function etc. to continue operating.

*5. Works only with LAN PoE PSE (IEEE802.3at) switch.