

1006 Series Electric Strike

General Description

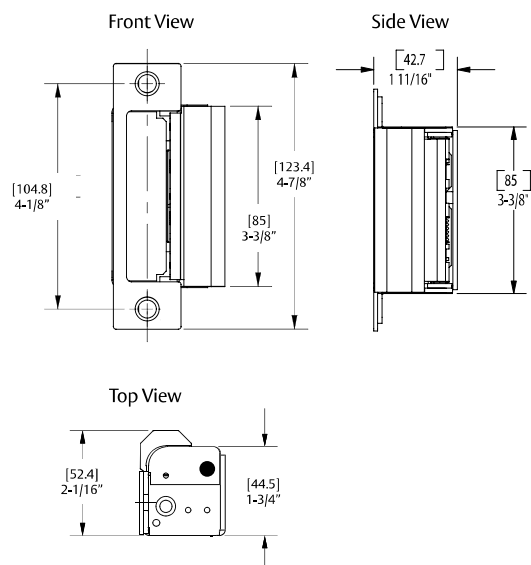
Designed to suit the harshest conditions, the 1006 series electric strike is one of the strongest on the market today. It has been cycle tested to 2 million operations and is ideal solution for institutional environments. It is designed to work with latch bolts up to 30mm. making it flexible to work with a wide variety of locksets and is available in fail safe or fail secure configurations.

Key Features

- Stainless steel construction
- Tamper resistant
- Fail Secure (standard)
- Multi voltage 12 or 24Vdc
- Non-handed
- Internally mounted solenoid
- Accommodates latchbolts up to 30mm (with 4mm door gap)
- **TRICARE**® 5 Year Warranty

Optional Features

- Fail Safe
- LBM - Latchbolt monitor
- LBSM - Latchbolt strike monitor



1006 Series Electric Strike Technical Information

Voltage	12-24Vdc
Current	450mA @ 12Vdc - 250mA @ 24Vdc
Monitoring	Latchbolt Monitor, Strike Monitor (Both Optional)
Solenoid	Solenoids rated for continuous use
Strength	1300kg Static Strength rating
Endurance	Cycle tested to 1,000,000 operations
Body	Stainless Steel Construction
Keeper	Stainless Steel
Standard Finishes	Satin stainless steel

Ordering Information

Product Description	Part Number
12-24V Fail Secure Electric Strike - non monitored	111006-000
12-24V Fail Safe Electric Strike - non monitored	111006-010
12-24V Fail Secure Electric Strike - latch bolt monitor	111006-030
12-24V Fail Safe Electric Strike - latch bolt monitor	111006-040

Standards and Compliance



Approved to UL1034 (highest level)

