

# EF934 Series Glass Door strike

## General Description

The unique glass door strike is one of a kind offering selectable voltage between the 12 and 24 volts using a sliding switch: Easy, safe voltage selection is assured. Integrated TVS diode provides surge protection for direct and alternating currents. The glass doors strikes awaits in the open position to encapsulate the door upon closure. The built-in shock absorbing function of the glass door strike ensures a gentle closing and locking action.

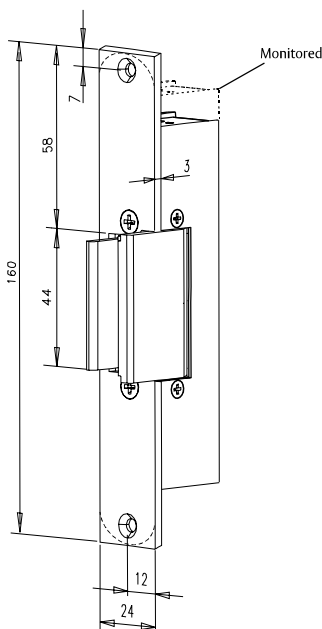
## Key Features

- Vertical and horizontal mounting possible
- 12 to 24Vdc field selectable
- Adjustment to glass leaf thickness 9 - 12mm
- Use on single or pairs (requires two locks) of glass doors with frames around the opening
- Non-handed
- Built in Diode
- **TRICARE®** 5 Year Warranty

## Applications

- Glass door sets
- Suitable for use with access control systems
- Open In/open out door sets

Note: Door stop Required



## EF934 Series Electric Strike Technical Information

Voltage	12-24Vdc field selectable
Current	210mA @12Vdc - 105mA @24Vdc
Monitoring	Latch (Optional)
Holding force	375kg Static Strength Rating
Environment	Operational temperature range -15°C to +40°C
Body	High purity Zinc alloy construction
Keeper	Brass
Glass Door Thickness	9-12mm

## Specification Statement

The EF 934 glass door strike must have selectable voltage between the 12 - 24 volts using a simple sliding switch. It must have integrated TVS diodes for surge protection. It must also have built-in shock absorbing function ensuring gentle closing and locking actions. It must operate in both vertical and horizontal positions, and be adjustable for glass doors from 9 -12mm.

## Ordering Information

## Standards and Compliance

CE CE Approved

## Product Description

EF934U-N 12-24V Glass Door Strike 9-12 mm Non Monitored

## Part Number

151025-000