

ES200 Series Electric Strike

General Description

The ES200 series electric strikes are high security products manufactured from stainless steel and designed for use with all access control systems. The strikes are suitable for use with hinged doors which require either fire or security control as part of a building management system.

These strikes are flexible and can be changed from fail safe to fail secure, mounted on the left or right hand side of the door and are available in 12 or 24Vdc.

They offer a strong, dependable and long-lasting electric strike solution.

Key Features

- Fail safe/fail secure changeable on site
- High security
- 4 Hour fire rating
- 850kg holding force
- 1 million cycles endurance rating
- Cast stainless steel body
- Stainless steel locking pins
- Low Current consumption - Max 175mA @12Vdc
- Mounting kit supplied as standard
- **TRIGARE**® 5 Year Warranty

Applications

- High traffic areas
- Fire rated door sets
- Open in/open out doors
- Suitable for use with all access control systems





Standards and Compliance

S3 (Security) Australian Lock Standard (AS4145.2.1993)

D3 (Durability) Australian Lock Standard (AS4145.2.1993)

BSI BS 5872 Approved

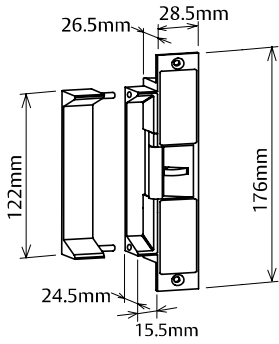
 Successfully fire rated up to 4hrs on fire door assemblies in accordance with AS1905.1, 2005 (Part 1: Fire resistant door sets)

 Approved to UL1034 (highest level)

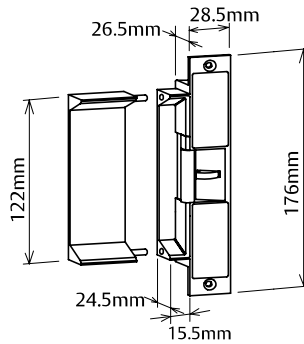
 CE Approved

 C-Tick Certified

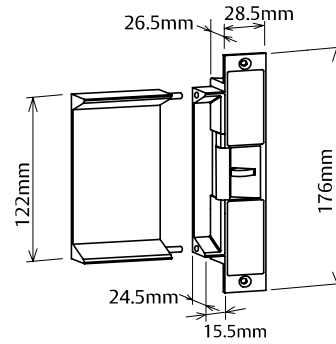
ES200 Series Electric Strike



ES200 with 25mm Extension Lip



ES200 with 50mm Extension Lip



ES200 with 75mm Extension Lip

ES200 Technical Information

Voltage	12 or 24Vdc
Current	175 mA @ 12Vdc - 88 mA @ 24Vdc
Solenoids	Solenoids are rated for continuous use
Monitoring	None
Holding Force	850kg Static Strength Rating
Endurance	Cycle tested to 1,000,000 operations
Latch	Suitable for 15mm latch bolt with 3mm door gap
Environment	Operational temperature range -20°C to +60°C
Body	Solid Stainless Steel Construction
Keeper	Stainless Steel

Specification Statement

The strike should be constructed of stainless steel, have a minimum holding force of 850kg and have an endurance rating of 1 million cycles. The one strike must be changeable from fail safe to fail secure on site where required. The strike should not consume current greater than 175mA at 12Vdc and have a solenoid rated for continuous use. Certifications must include CE, C-Tick and 4 hr fire rating.

Ordering Information

Product Description	Part Number
12V Fail Safe Electric Strike	100201-000
12V Fail Safe Electric Strike with No Extension Lip	100201-010
12V Fail Safe Electric Strike with Extension Lip Holes	100201-020
12V Fail Secure Electric Strike	100202-000
12V Fail Secure Electric Strike with No Extension Lip	100202-010
24V Fail Safe Electric Strike	100203-000
24V Fail Secure Electric Strike	100204-000

Accessories

Product Description	Part Number
13mm Rebate Plate	210100-541
25mm Extension Lip (40.5mm total)	220200-505
50mm Extension Lip (65.5mm total)	220200-506
75mm Extension Lip (90.5mm total)	220200-507
Dummy Fixed Striker	100200-000
Mounting Kit	220200-519