

# ES100 Series Electric Strike

## General Description

The ES100 is a cost efficient robust electric strike with a solid construction of one-piece cast aluminium body and stainless steel striker. The ES100 offers the same level of security and reliability usually provided by more expensive electric locking solutions.

Extension lips are available to accommodate the installation of electric strikes on door frames with different thickness. The ES100 product range of patented electric strikes are suitable for use with all access control installations where flexibility, security and lower cost are required.

## Key Features

- Fail safe/fail secure changeable on site
- Stainless steel striker for extra strength and durability
- Stainless steel locking pins
- Multi Voltage 12Vdc and 24Vdc
- Optional mounting kit
- Installation template
- Suitable For 15mm latch with a 3mm door gap
- Australian designed
- **TRIGARE**® 5 Year Warranty

## Applications

- Exposed areas
- High traffic areas
- Open in/open out doors
- Suitable for use with all access control systems



## Standards and Compliance



Successfully fire rated up to 4hrs on fire door assemblies in accordance with AS1905.1, 2005 (Part 1: Fire resistant door sets)



Approved to UL1034 (highest level)



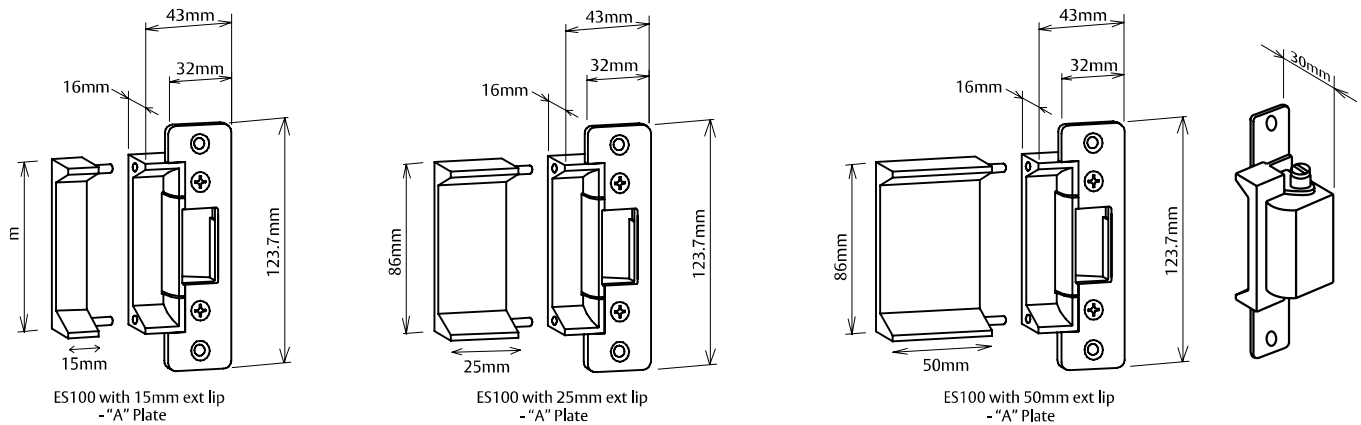
CE Approved



C-Tick Certified

Weather Resistant IP56

# ES100 Series Electric Strike



## ES100 Technical Information

<b>Voltage</b>	12Vdc and 24Vdc
<b>Current</b>	250 mA @ 12Vdc - 125mA @ 24Vdc
<b>Solenoid</b>	Solenoids are rated for continuous use.
<b>Monitoring</b>	None
<b>Holding Force</b>	680 kg Static Strength Rating
<b>Endurance</b>	Cycle tested to 1,000,000 operations
<b>Environment</b>	Operational temperature range -20°C to +60°C Weather resistant construction. (IP56)
<b>Body</b>	Cast Aluminium Construction
<b>Keeper</b>	Stainless Steel

## Ordering Information

Product Description	Part Number
ES101 12/24Vdc PTL W/Res A-Type Rnd Cnr S/Steel F/Plate with Extension Lip Holes	110101-030M
ES101 12/24Vdc PTL W/Res A-Type Rnd Cnr S/Steel F/Plate Lipless	110101-070M

**Note:** For additional face plate options see page 12.

### Abbreviation Key

<b>PTO</b>	Power to Open (Fail Secure)
<b>PTL</b>	Power to Lock (Fail Safe)
<b>W/RES</b>	Weather Resistant
<b>A-Type</b>	Short style face plate with round corners
<b>H-Type</b>	Long style face plate with square corners
<b>H/RND</b>	Long style face plate with round corners (Accessory)
<b>LIPLESS</b>	No Lip on the Lock body
<b>S/STEEL</b>	Stainless Steel
<b>F/PLATE</b>	Face Plate

## Accessories

Product Description	Part Number
15mm Extension Lip	220100-506
25mm Extension Lip	220100-507
50mm Extension Lip	220100-508
Mounting Kit	220200-518
13mm Rebate Plate	210100-523

## Specification Statement

Where Power to Lock and Power to Open functions may be required in the same building, the strike must be interchangeable from either "Power to Lock" or "Power to Open" on site.

The electric strike should not consume current greater than 250 mA @ 12Vdc - 125mA @ 24Vdc and have a solenoid suitable for continuous use. Certifications must include CE, C-tick and 4hr fire rating.

The strike should have a minimum holding force of 680kg, and an endurance rating of 1 million cycles.