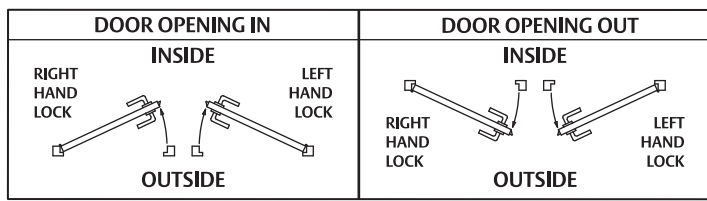


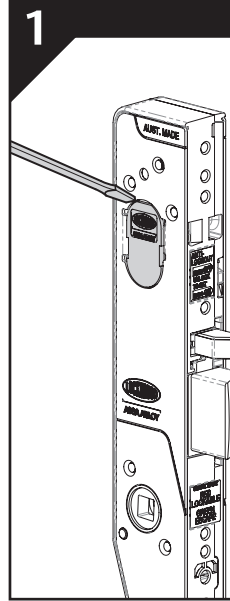
P/No. 3782-121 01/16

### HAND OF DOOR ACCORDING TO ENGLISH PRACTICE



- Determine hand of lock required from chart above.
- Ensure only holes required by handing, function and furniture are cut into door.
- Disregard instructions referring to features not required.
- The lock is supplied in passage mode. The anti-lockout function is de-activated.
- The lock is always hold back capable, no setting is required. Hold back can be activated at any time - unless anti-lockout is selected.

### LOCK SETTING

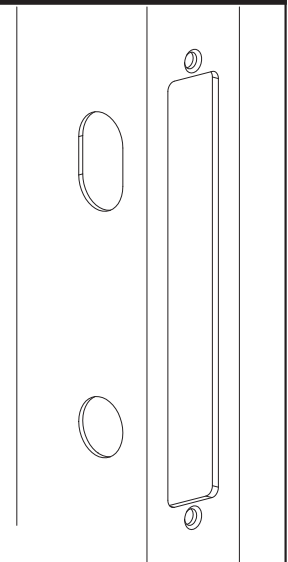


- Where cylinders or turn knobs are required, remove the cylinder plugs from the lock using a small screwdriver.
- Set the required lock function as per **SETTING AND OPERATING INSTRUCTIONS**.

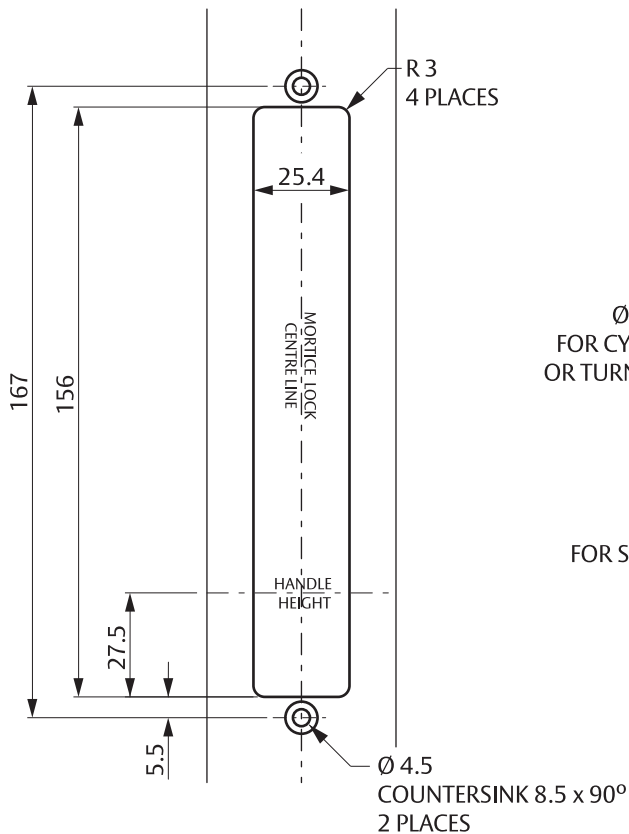
### 2

### DOOR PREPARATION

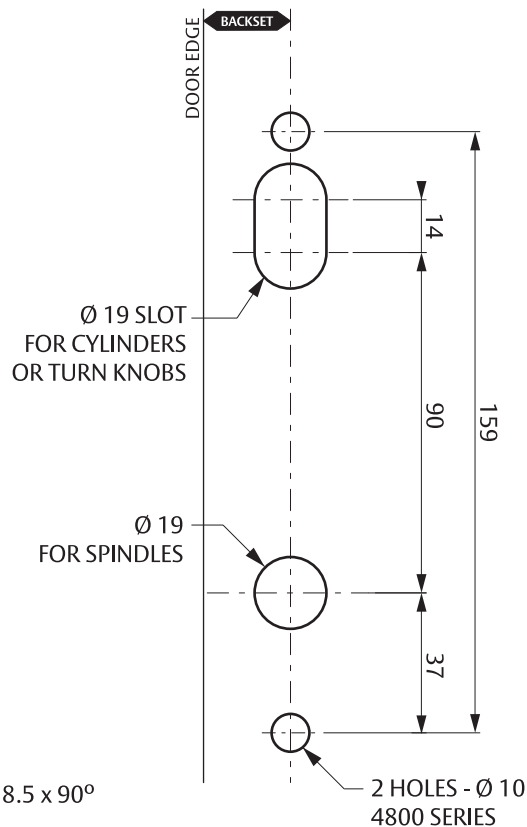
- Establish height that lock will be on door.
- Cut face plate window to the dimensions shown. Drill and countersink fixing holes as shown.
- Determine what lever, cylinder or turn knob holes are required.
- Drill required furniture holes from both sides of door.



#### DOOR EDGE



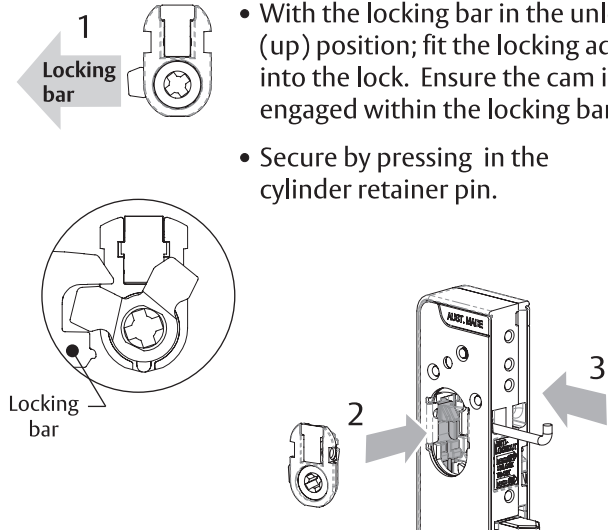
#### SIDE OF DOOR



3A

## LOCKING ADAPTOR INSTALLATION

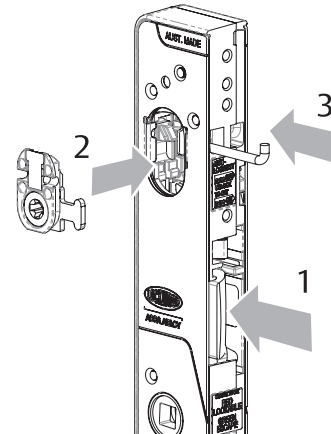
- Rotate the locking adaptor so one leg is pointing towards the locking bar.
- With the locking bar in the unlocked (up) position; fit the locking adaptor into the lock. Ensure the cam is engaged within the locking bar.
- Secure by pressing in the cylinder retainer pin.



3B

## LATCHING ADAPTOR INSTALLATION

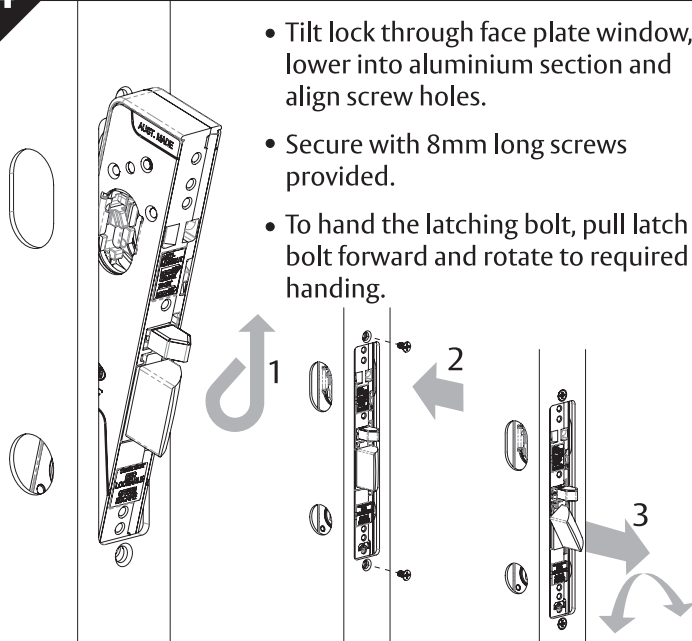
- Depress the latch bolt and fit the latching adaptor.
- Secure by pressing in the cylinder retainer pin.
- **Note : The face plate must be fitted to ensure correct function.**



4

## LOCK INSTALLATION

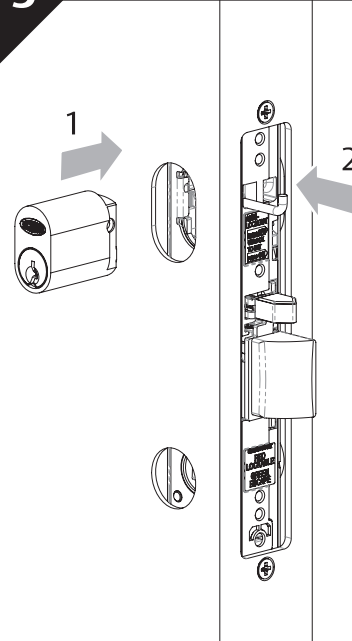
- Tilt lock through face plate window, lower into aluminium section and align screw holes.
- Secure with 8mm long screws provided.
- To hand the latching bolt, pull latch bolt forward and rotate to required handing.



5

## CYLINDER INSTALLATION

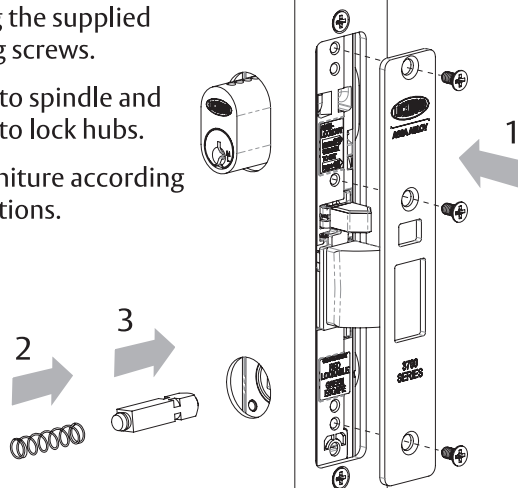
- Place the cylinder into the lock.
- Secure by pressing in the cylinder retainer pin, ensuring the pin is flush with the lock case.
- For cylinder cam selection refer to **SETTING AND OPERATING INSTRUCTIONS.**



6

## FACE PLATE AND SPINDLE INSTALLATION

- Fit face plate onto lock using the supplied 8mm long screws.
- Fit spring to spindle and then fit into lock hubs.
- Install furniture according to instructions.



7

## STRIKE INSTALLATION

- Cut strike cutout in door frame.
- Fit strike box inside frame using supplied 8mm long screws.
- Fit strike onto strike box using supplied 8mm long screws.

