

# AU100 Series Escutcheon

ASSA ABLOY's Aperio™ technology is leading the evolution of Online Wireless Door Locks. The new AU100 is a fully commercial grade digital lockset that offers the durability and quality that is synonymous with ASSA ABLOY.

Aperio is well known to provide a cost effective migration to an online electronic access control door. ASSA ABLOY's AU100 is now fully retrofittable with Lockwood mortise variants without modification to the mortice whatsoever.

In addition, for the first time the internal lever and door position can now be wirelessly monitored. A capacitive keypad and proximity reader are also included in the one lock.



Sophisticated battery powered technology communicates wirelessly to a hub. The hub is then wired directly to the access control system and enables standard online access control functionality at significantly reduced costs to that of a hard wired door.

The AU100 features the V3 platform, which enables high frequency entrance doors to operate for two years on a standard set of batteries; maintaining remote opening functions of typically 5 seconds communication time between the Aperio lock and the access control system throughout the battery life.

ASSA ABLOY's AU100 provides the benchmark for premium wireless digital locking. The strong vandal proof keypad is weather rated for outdoor conditions including protection against light rain, sun and dust.



The AU100 features ultra-smooth lever action provided by the ergonomic Lever: 77A. Designed to be compliant with the Australian Disabled Door Act, the AU100 has undergone severe vandal testing and has a strength rating of up to SL8.

# AU100 Series Escutcheon

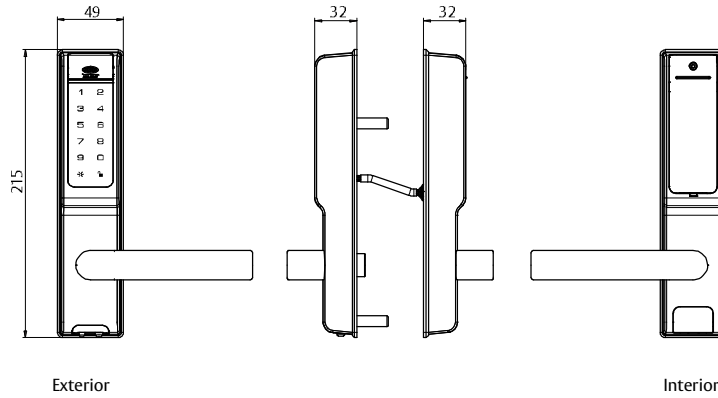


The AU100 is available in a range of form factors including: the popular 530 latch option (non key override) and 60mm and 30mm backset variants.

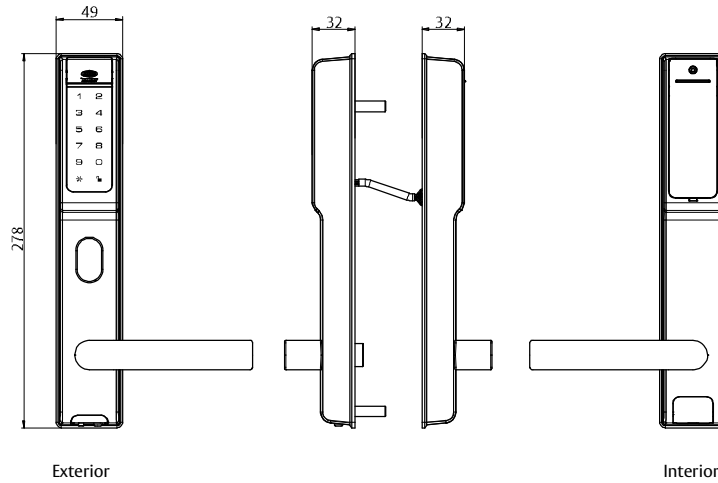
You may also use the 530 version on a Mortice lockset and not use the override cylinder feature.



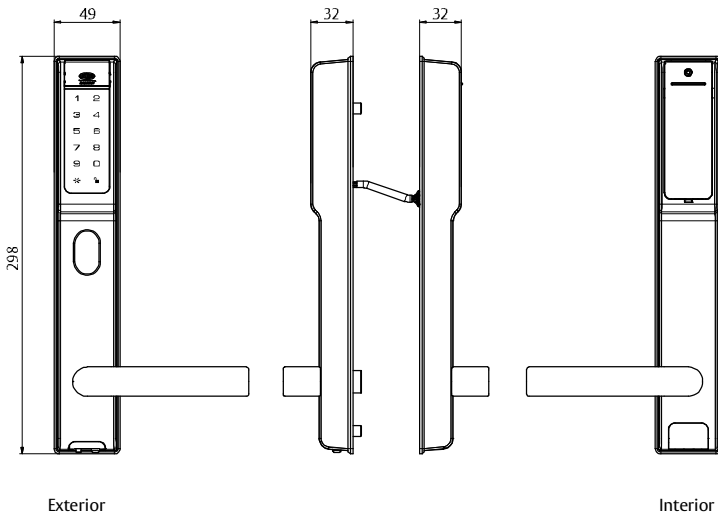
AU100-530



AU100-3772



AU100-5782



# AU100 Series Escutcheon

## Electronic Features

- Wireless online access control
- Authorisation changes in real time
- Audit trails and time zones managed through existing system
- Additional Key Override
- Rex (internal lever monitoring)
- Door position switch
- Smart off line credential cache for last 200 users
- Store last 200 events and audit trails locally in the lock
- Battery powered – up to 40,000 operations
- LED status
- Battery low warning sent to EAC system
- Powerful new electronics with USB interface
- Supports multiple RFID credentials and Seos mobile access
- Heartbeat communication: 5-10 seconds
- Remote door opening/locking functions
- Supports multiple high frequency RFID technologies and Seos mobile access
- Audit trails and time zones managed through existing system

## Mechanical Features

- Emergency egress
- Compatible with Lockwood 3772 and 5782 Series Mechanical Mortice Locks
- Additional key override
- Fire rated
- Multiple lockset formats
- Emergency egress



## Functions

External - lever is always locked.  
To unlock badge card and activate lever

Door automatically re-locks after set time.  
Can also be opened via key override

Keypad – Touch keypad to wake up unit, enter pin and activate lever

Internal - lever is set to escape free egress at all times

REX - Allows the access control to recognise valid egress when the internal lever is pressed followed by DPS

DPS – Allows the access control system to detect DOTL and forced door

## Applications

- Internal doors and semi protected outdoor
- Retrofit mechanical Mortice Locks
- Expand existing access control installations
- New access control installations
- Doors that can't be hard wired
- Heritage listed buildings

## Electronic Technical Information

Battery Type	4 x AA Alkaline
Battery Lifetime	40,000 cycles
Radio Standard	IEEE802.15.4 (2.5GHz)
Encryption	AES128Bit
Wireless Range	5-25m depending on location of Hub & Environment
RFID Technology	Mifare Classic / Desfire, Mifare Classic / Plus iCLASS
iClass, SEOS	85 Non condensating
RFID Reading	UID/sector/block
Card Range	2cm
Operating Temperature	-20°C - 60°C
Humidity	<85 non condensing
Approvals	RCM CE
Finish	Brushed Satin Chrome
Door Thickness	35-50mm

## Product Details

	AU100-530	AU100-3772	AU100-5782
Finish	SC	SC	SC
Backset	60mm	60mm	30mm
Lever	77A	77A	778A
Door Thickness	35-50mm	35-50mm	35-50mm
Body Material	inc Alloy	inc Alloy	inc Alloy
Override Cylinder	No	Yes	Yes
Lock Type	Tubular Latch 530	Suited for 3570 and 3770	Suited for 5580 and 5780
Door Application	Retrofit Latch	Timer door 60mm Backset	Metal or Aluminium narrow Style doors 30mm Backset

## Standards and Compliance



Successfully tested up to 2 hours on fire door assemblies in accordance with Australian Standard AS1905.1 2005 - Part 1: Fire Resistant Doorsets

**SL8**

(Security) Australian Lock Standard (AS4145.2:1993)

**DL8**

(Durability) Australian Lock Standard (AS4145.2:1993)



Australian Electrical Regulatory Compliance



European Electric Compliance

## AU100 Escutcheons only

Product Description	Part Number
Aperio AU100 V3 keypad reader 3772 ver 35-50mm door no lock	AU103MU2SC1/2
Aperio au100 v3 keypad reader 5782 ver 35-50mm door no lock	AU103MU2SC1/3
Aperio au100 v3 keypad reader 530 ver 35-50mm door with 530 latch	AU103MU2SC1/1
Aperio au100 v3 keypad reader 3772 ver 35-50mm door with lock	AU103MU2SC1/2/3772

## AU100 ACCESSORIES

Product Description	Part Number
Aperio hub 1:8 rs485	AH30-3-0
Loom cable	CTXLOOM
530 spindle & accessory pack screw cover 30-50mm	CTXACCPK1
3772 spindle & accessory pack screw cover 30-50mm	CTXACCPK2
5782 spindle & accessory pack screw cover 30-50mm	CTXACCPK3