

CL-150S Cabinet Lock with Spring



Overview

The Lockwood CL-150S electric Cabinet Lock is a compact, versatile and flexible locking solution for Lockers, Cupboards, Drawers and a variety of applications using swing or sliding doors and drawers.

The CL-150S also provides a spring release function negating the need for handles on smaller lockers and cabinets as it pops open the door on release. The Cabinet Lock also includes Lock State Monitoring and 12 or 24VDC operation.

With a Holding Force of 100kg, the CL-150S is the ideal electric locking solution for a host of applications and can be used in conjunction with most Access Control, Intercom, Keypad or Card Reader systems. For added flexibility in different applications and door or cabinet styles, the compact locking mechanism and body also allows for the Strike Plunger to engage into either the Edge or the Top of the Lock body.

The CL-150S is suitable for use with University and School staff or student lockers, Hospital, Aged Care and Clinic medicine cabinets and drawers, Office and Retail display cabinets, Filing Cabinets and drawers and Post boxes, just to name a few.



Features

- Spring Loaded Release
- Lock Status/Plunger position Monitoring with NO/NC Output
- 12 or 24VDC Operation
- 100kg Holding Force
- Top or Edge Strike Plunger engagement
- Fail Secure configuration

CL-150S Cabinet Lock with Spring



ASSA ABLOY

Specifications

Voltage	12 or 24VDC
Current Consumption	920mA at 12VDC 450mA at 24VDC
Holding Force	100kg
Minimum Door Width	25cm from hinge to lock
Fail Secure	(PTO) operation only
Monitoring Output	Door/Plunger Position – Common (COM)/Normally Open (NO)/Normally Closed (NC)
Durability	Tested to 400,000 cycles
Operating Temperature	-10°C to +70°C

Specification Statement

The electric Cabinet or Drawer lock shall be surface mounted and enable engagement of the Strike Plunger either into the edge or top of the lock body. The lock shall provide a Spring release function which pushes open the cabinet or locker door therefore negating the need for a door handle. The Lock shall provide Lock/Door Position Monitoring Output and a Holding Force of no less than 100kg.

CL-150S Cabinet Lock with Spring

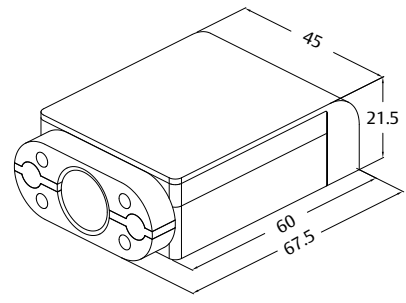
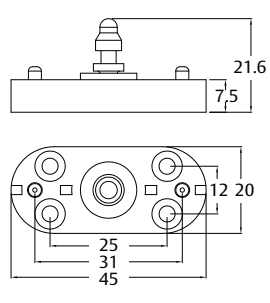
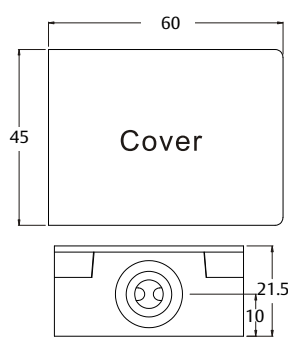


ASSA ABLOY

Ordering

Part Number	Product Description
CL-150S	Lockwood CL-150S Cabinet Lock with Spring Release

Product Dimensions



Unit : mm