

EL110 SERIES CABINET LOCK



INSTALLATION INSTRUCTIONS

DRAWINGS NOT TO SCALE. INFORMATION IN THIS DATASHEET MAY BE CHANGED WITHOUT NOTICE.

IMPORTANT NOTE: Lock is designed to be fitted into cabinets and lockers etc with swing or sliding doors.
Lock is supplied in "Power-to-Open" configuration as the initial factory setting.

- Striker may engage with lock from side or front.
Front Engagement : see Fig.1
Side Engagement : see Fig.2
- Mount lock on inside of cabinet, connect wiring (see Electrical Specification) and power up lock. Lock and striker dimensions are shown in Fig.3. Allow sufficient space between lock unit and cut-out for wires as bunching of wires may cause unit to malfunction.
- Adjust the striker horizontally and vertically to ensure the striker locking recess engages with locking pin in the lock.
- Open and close the door several times, and readjust striker if necessary to achieve a smooth closing operation.
- Configure lock mode of operation (see Fig.4). Lock may need to be removed temporarily to be reconfigured.
- When lock and striker is in place, remove film from double-sided tape on solenoid and affix faceplate onto lock.

ELECTRICAL SPECIFICATIONS

Solenoid Leads Colour	Supply Voltage	Current Draw
Red	12 VDC	175 mA
Blue	24 VDC	88 mA
Black	48 VDC	45 mA

CAUTION! Incorrect supply voltage may cause damage not covered by warranty. Please check supply voltage with a suitable meter to ensure it is within +/- 15% of the nominal voltage shown above with the strike powered.

This product has been designed for use in weather protected areas only. **DO NOT OIL OR LUBRICATE.**

Fig. 1 - Front Engagement

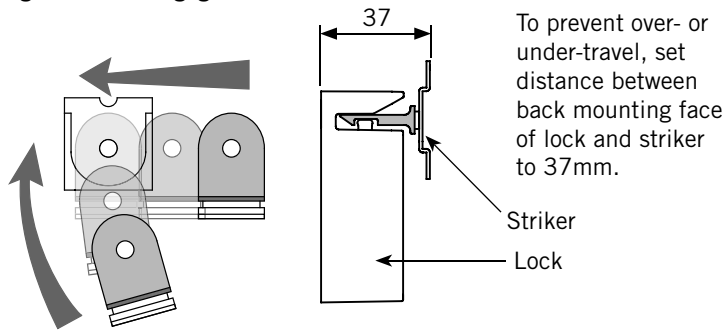


Fig. 2 - Side Engagement

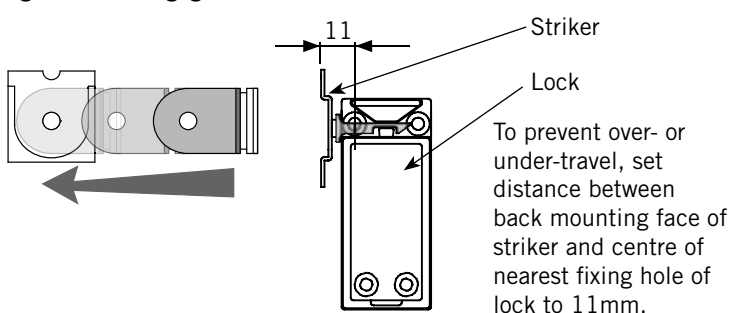


Fig. 3 - Lock and Strike Dimensions

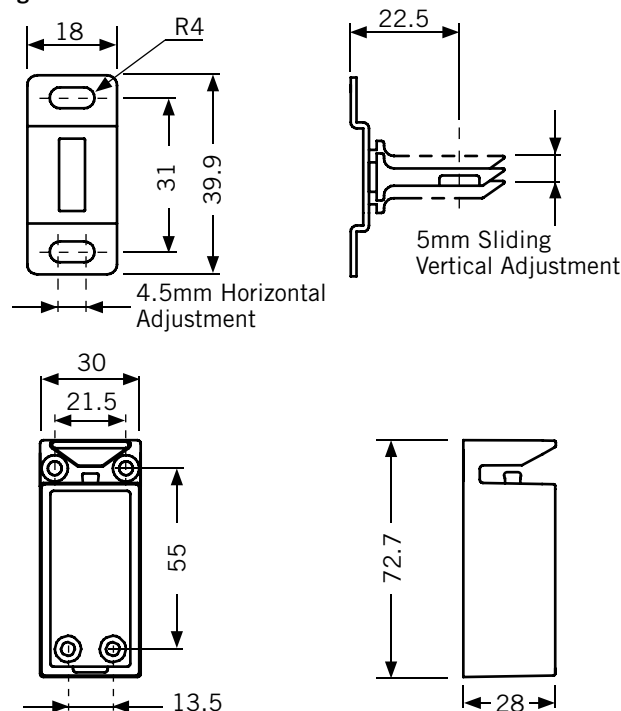
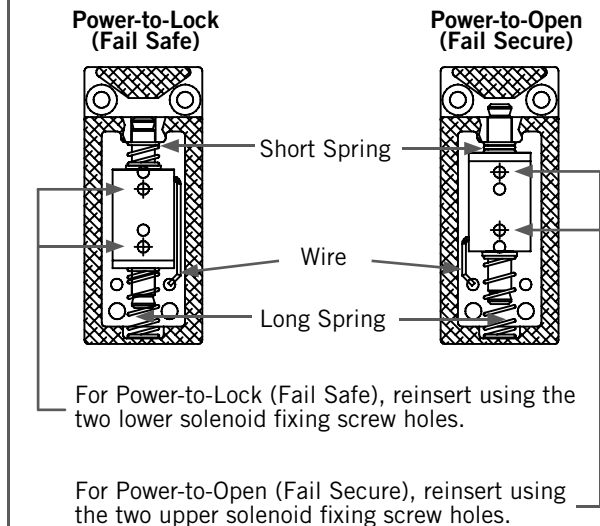


Fig. 4 - Changing Mode of Lock Operation

- Remove two rear solenoid fixing screws.
- Remove solenoid, spring and wire.
- Configure solenoid, spring and wire depending on the lock mode required, as shown below.



5 Year Limited Warranty

ASSA ABLOY Australia guarantees for a period of 5 years in accordance with Trimec's Standard Warranty Conditions, against defects in manufacture, workmanship or materials, provided that all electrical and mechanical installation requirements are adhered to as per this datasheet. All third party and consequential claims are expressly excluded from this warranty.



WARRANTY
TRICARE



☎ 1300 663 904

✉ sales@csmerchants.com.au

🌐 www.csmerchants.com.au