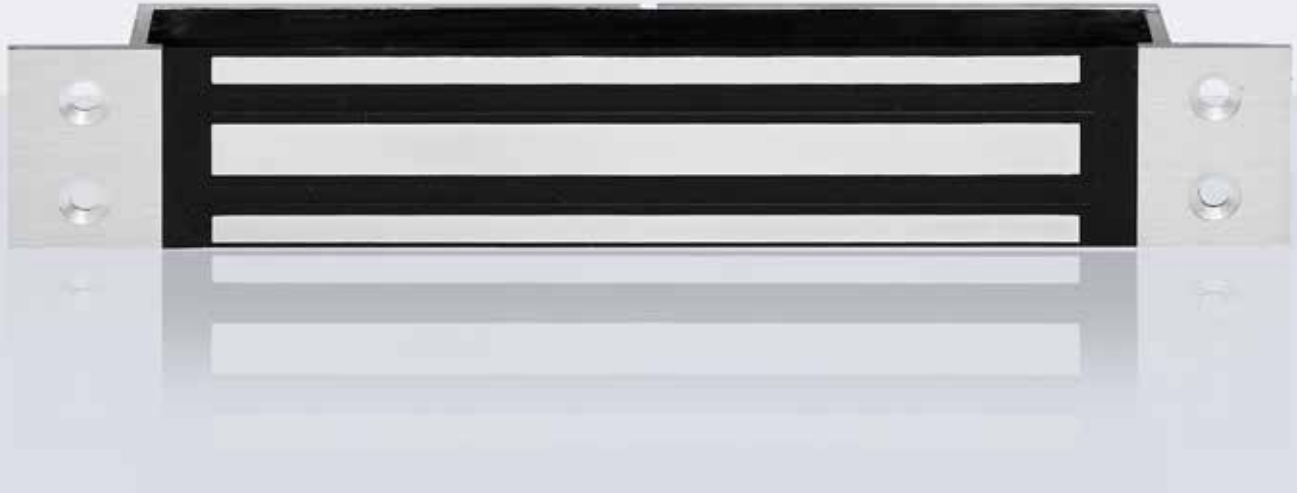


Z4 Recessed Electromagnetic Lock



The Lockwood Padde Series Z4 Recessed Electromagnetic Locks operate with holding forces up to 280kg. Covering a range of applications these magnets are ideal for situations where the magnet needs to be recessed such as swing and sliding doors. With fixing options including wood, aluminium and steel constructions, the range caters to most needs. The electromagnets are available in both monitored and non monitored models, using hall-effect monitoring on some. These electromagnetic locks are CSIRO approved for use on fire doors and are characterised by their high quality and proven reliability in both fire and security applications.



Key Features

- Fail-safe: unlocks when power is removed
- Easy installation: suitable for both new and retrofit usage
- High holding force: refer to the technical data overleaf
- Self-alignment: armature plate pivots to accommodate door drop
- Silent operation: no humming or buzzing
- Dual voltage: site selectable 12 or 24 Vdc
- Monitored versions: hall-effect status monitoring available on some models
- Instantaneous release: smart electronics on the Z4 Recessed Electromagnetic Lock eliminate residual magnetism
- 5 Year Tricare Warranty (Padde Series)

Applications

- Various sliding door applications

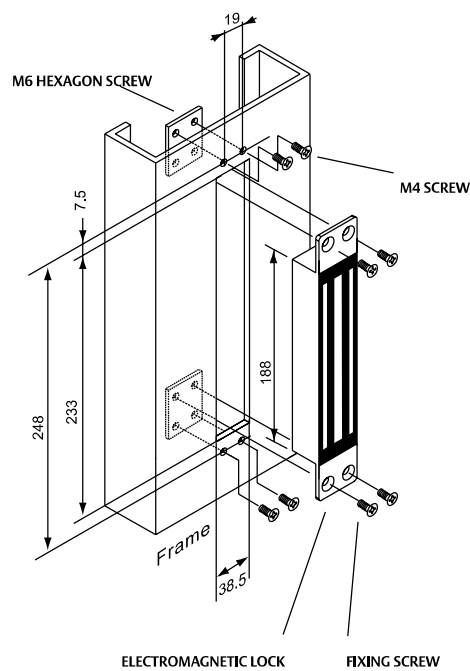
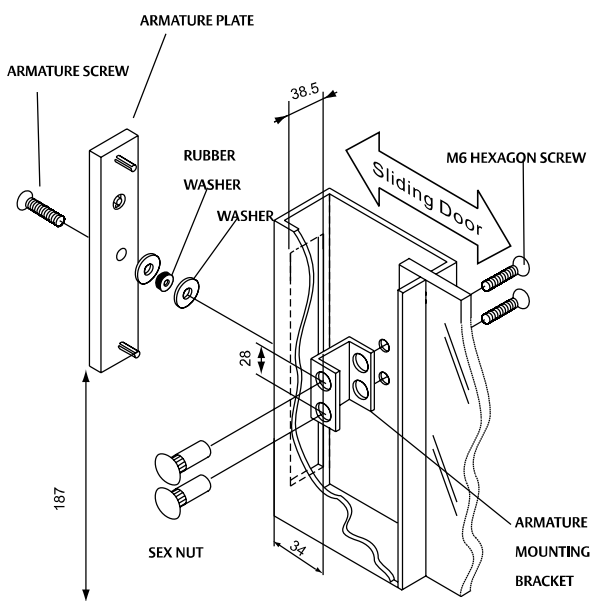
Product Details		
	Z4 Magnet Non Monitored	Z4 Magnet Monitored
Holding Force	250kg-280kg	250kg-280kg
Dimensions	(L)182 x (H)42 x (D)23 mm	(L)182 x (H)42 x (D)23 mm
Voltage	12Vdc/ 24Vdc ±10%	12Vdc/ 24Vdc ±10%
Current	450mA @ (12Vdc) 225mA @ (24Vdc)	450mA @ (12Vdc) 225mA @ (24Vdc)
Monitoring	None	None
Operating Temperature	-25 to 55 Degrees	-25 to 55 Degrees
Operating Humidity	0-95%	0-95%

Standards and Compliance	
	CE Approved
	C-Tick Certified

Z4 Recessed Electromagnetic Lock



Z4 Recessed Electromagnetic Lock



Ordering Information

Part Number	Product Description
EMZ4-RSN	EMZ4 E/Magnet Recessed 12/24Vdc Single Non Monitored
EMZ4-RSM	EMZ4 E/Magnet Recessed 12/24Vdc Single Monitored

Specification Statement

The Z4 Recessed Electromagnetic Lock should be constructed in an aluminium case with heavy duty electromagnet. The range only operates in fail safe mode and relies on a secondary lock or battery backup system. The lock needs to be equipped with “smart electronics” that have zero residual magnetism (instantaneous release). This is crucial for correct operation.