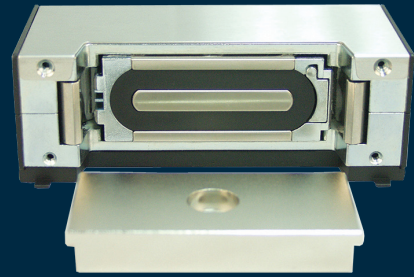


MM15 MEMLOCK® Magnetic & Mechanical Lock

*4,000 lbs holding force,
bracket mounted, magnetic
electromechanical lock*



Unique hybrid design,
with two tons of
holding power.

The hybrid design of this magnetic electromechanical lock includes two springloaded, hardened steel jaws that deliver up to 4,000 lbs of ultimate holding power. In a forced-entry assault, the jaws of the MM15 MEMLOCK clamp down on the armature plate and hold firm, for an unmatched level of access control.

Features

Standard Features

- Efficient, low power usage
- Ideal for mental healthcare and auxiliary detention facilities and other high-risk locations
- Automatic dual-voltage — no field adjustment required
- Mounting plate for easy, accurate installation
- Size optimized for use with door closers
- Accepts AC or DC current
- Ultra-secure collapsing blind nuts mount to door frame for strength and reliability
- Fail Safe, but can be installed with a battery backup power supply
- MagnaCare® lifetime replacement, no-fault, no questions asked warranty

Optional Features

- **G** Gate conduit
- **D** Integrated Door Position Switch (DPS)
- **T** Anti-tamper switch

Accessory

- **TS** Tamper shield



MagnaCare
Warranty



Auto Sensing
Dual Voltage
12/24



PoE
Friendly



Fire Rated



Preload

Specifications

Certifications

- UL 10C Fire Rated, 1 hour
- CAN/ULC-S104 Listed

Electrical

- **AC Current:** 130 mA at 12 VAC; 250 mA at 24 VAC
- **DC Current:** 100 mA at 12 VDC; 200 mA at 24 VDC

Holding Force

- 4,000 lbs [1814 kg]

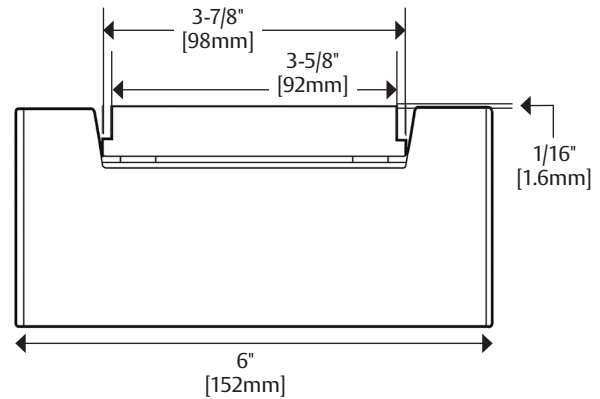
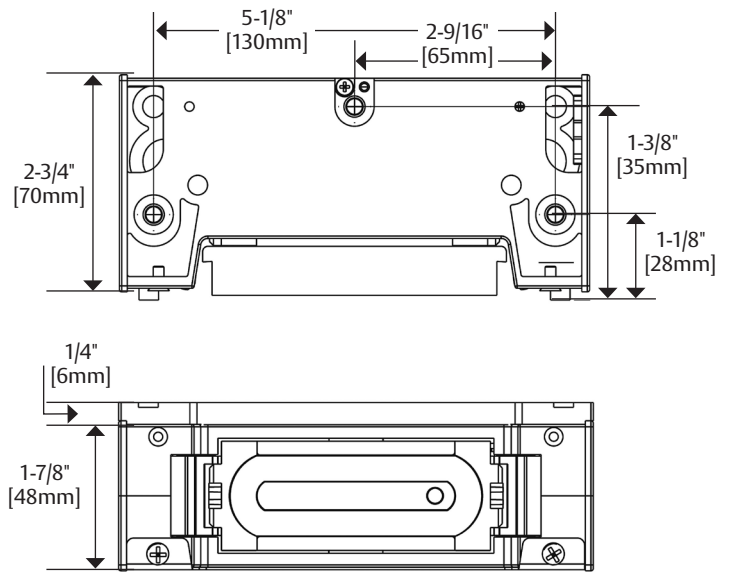
Operating Temperature

- -40° to 140°F [-40° to 60°C]
- Indoor use only

Shipping Weight

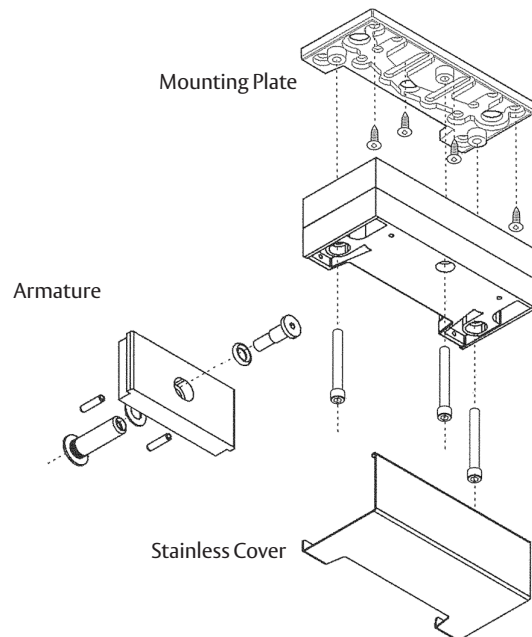
- 6 lbs [2.72kg]

Dimensions



How to Order

MODEL SERIES	MOUNTING METHOD	MONITORING OPTIONS
MM15	G	DT
MM15	(blank) Direct Mount G Gate Conduit	(blank) No Monitoring DT Door Position Switch and Tamper Switch

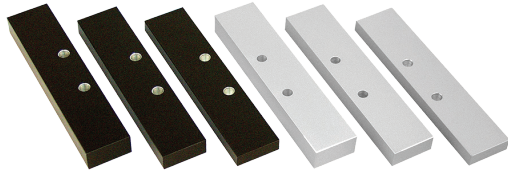


MM15 MEMLOCK® Accessories



SFP-MM15 Stop Filler Plate

- MagnaCare® lifetime replacement, no-fault, no questions asked warranty



PART NUMBER	DESCRIPTION
SFP-1/2BKMM15	SFP-1/2" for MM15, Black Finish
SFP-1/2CLMM15	SFP-1/2" for MM15, Clear Finish
SFP-3/8BKMM15	SFP-3/8" for MM15, Black Finish
SFP-3/8CLMM15	SFP-3/8" for MM15, Clear Finish
SFP-5/8BKMM15	SFP-5/8" for MM15, Black Finish
SFP-5/8CLMM15	SFP-5/8" for MM15, Clear Finish

MM15-TS Tamper Shield

The TS Tamper Shield completely encases the lock face, providing an added layer of protection against attempts to compromise or vandalize the magnetic locking mechanism.

- MagnaCare® lifetime replacement, no-fault, no questions asked warranty



PART NUMBER	DESCRIPTION
MM15-TS	Tamper Shield for MM15 — Stainless Steel

DC-MM15 Dress Cover

- Available in Black, Polished Brass or Satin Brass finish
- MagnaCare® lifetime replacement, no-fault, no questions asked warranty



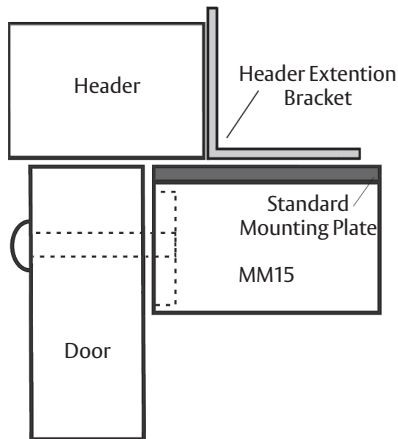
PART NUMBER	DESCRIPTION
DC-MM15BK	DC-MM15, Black
DC-MM15BP	DC-MM15, Polished Brass
DC-MM15BS	DC-MM15, Satin Brass

HEB-MM15 Header Extension Bracket

- MagnaCare® lifetime replacement, no-fault, no questions asked warranty



PART NUMBER	DESCRIPTION
HEB-1BK-MM15	HEB-1" for MM15 Series, Black Finish
HEB-1CL-MM15	HEB-1" for MM15 Series #130, Clear Finish
HEB-2BK-MM15	HEB-2" for MM15 Series, Black Finish
HEB-2CL-MM15	HEB-2" for MM15 Series #130, Clear Finish
HEB-3BK-MM15	HEB-3" for MM15 Series, Black Finish
HEB-3CL-MM15	HEB-3" for MM15 Series #130, Clear Finish



Z-MM15 Z Bracket Kit

- MagnaCare® lifetime replacement, no-fault, no questions asked warranty



PART NUMBER	DESCRIPTION
Z-MM15BK	Z-Bracket—MM15, Black
Z-MM15CL	Z-Bracket—MM15, Clear

