



Smart Locks

The premium digital locking solution for flexibility and peace of mind.

Imagine the possibilities



At Yale, we offer Smart Home security solutions so that you can protect the people and things you love. With over 180 years of security expertise, we are committed to innovation and are constantly expanding our global product offerings.

The key to our success has been using the latest software and hardware advances along with a firm commitment to protecting data security and privacy for our customers.

Yale Access is a mobile app that lets you access and manage your Yale smart products from your mobile. The Yale Access App allows you to lock and unlock your door, share access with your family and friends, view access history, receive notifications on the lock's activity and check the lock's battery life.

The Yale access App works alongside the Yale Connect or Connect Plus Wi-Fi Bridge so that you can see your lock's status and remotely operate it from wherever you are in the world.



Grant entry from wherever you are

When your Yale Smart Lock is paired with Yale Connect or Connect Plus Wi-Fi Bridge, you can use remote access from anywhere in the world to let in family, friends or trusted visitors like the cleaner or dog walker. If someone forgets to lock up when they leave, you can easily take care of it with the tap of a finger.



Auto-lock and unlock as you come and go

The Yale Access App auto-lock feature can automatically lock your door when you leave, either immediately after closing or after a set amount of time. When you return, your door will auto-unlock using geofencing technology, so you don't need to fumble around for your keys.



Know the ins and outs of your home

The 24/7 activity feed will help you check who is coming and when - even when you're not there. You'll know when guests have arrived, what time your children got home, and whether a tradesperson or the cleaner was there to get a job done.



Expecting guests? Send a virtual key

From the Yale Access App, you can send virtual keys to friends, family or people you trust. Guests can come and go as they wish without you having to worry about lost keys.



Use your voice to control your lock

Yale Access works with Amazon Alexa, Apple HomeKit and Google Home. You can control your lock with your voice using Alexa, Siri or Google Assistant.

Contents



Unity Security
Screen Door Lock

Page 3



Unity Entrance Lock

Page 7



Unity Series
Accessories

Page 10



Assure Lock® SL

Page 15



Assure Lock®

Page 17



Access Kit

Page 19



Access App

Page 21



Network Modules

Page 23



Unity Entrance Series

Working every day since 1840, Yale continues to bring you seamless solutions for entering your home, without the hassle of searching for your keys. The Unity Entrance Series includes the Unity Entrance Lock and the Unity Security Screen Door Lock and is your answer to seamless home entry.

When installed with a Yale Connect Plus Wi-Fi Bridge, the Unity Entrance Series features DualDoor™ Technology *. With a single command, users can operate both the security screen door and the main entrance door together. The door lock or unlock command operates both locks (Unity Security Screen Door Lock and Unity Entrance Lock) in a sequence.

The Yale access ecosystem can integrate your Unity Security Screen Door Lock and Unity Entrance Lock together to operate both locks with a single command. The technology works seamlessly, to provide ultimate user convenience. This will allow the user to enter the home without keys and saves the effort of operating the screen door and main entrance door locks together.

The Unity Entrance Series works with the Yale Access App, giving you total control over your lock via your smart device. You can grant access to others, keep track of visitor access and so much more.

You can also add accessories to the Unity Entrance Series, such as the Yale Smart Keypad** to enable PIN code access on your lock.



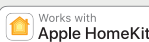
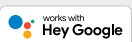
*DualDoor™ Technology requires pairing the Unity Security Screen Door and Unity Entrance Locks with Yale Connect Plus or two Yale Connect Bridges (one per lock) to operate.

**Yale Unity Entrance Lock, Connect Plus and Smart Keypad sold separately.



Yale Access App

Yale Smart Locks are managed through the use of the Yale Access App - giving you total control over your lock via your mobile device.

Works with    

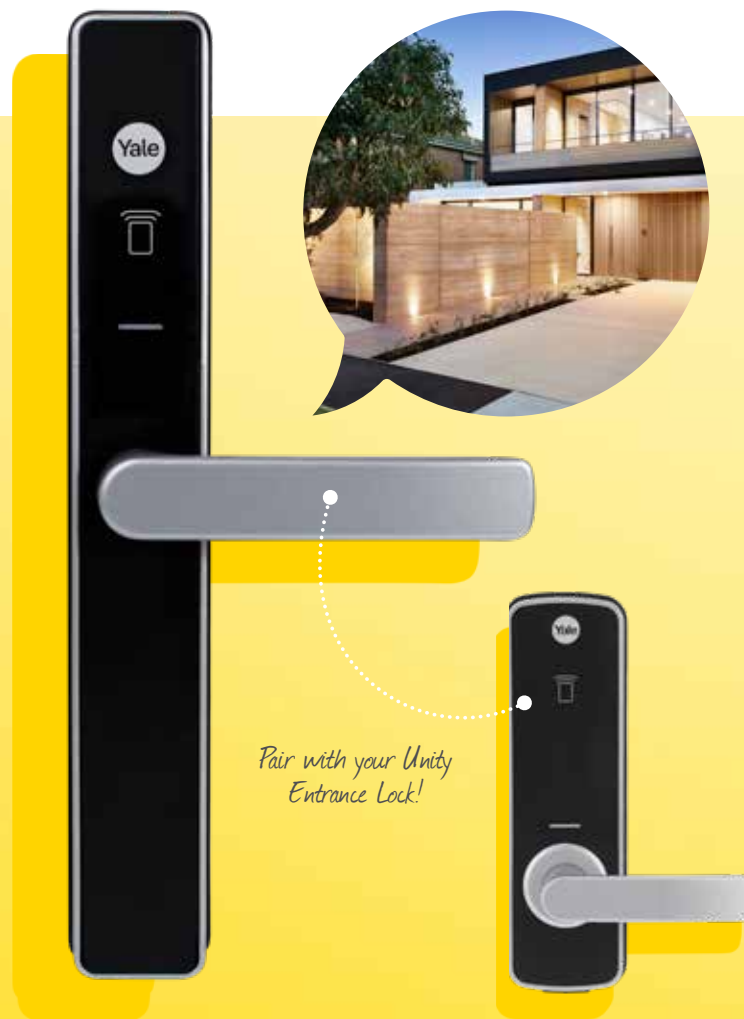
Download the free Yale Access App on iOS and Android.



Disclaimer: Other products' brand names may be trademarks or registered trademarks of their respective owners and are mentioned for reference purposes only. MC11460

Yale Unity Security Screen Door Lock

The Unity Security Screen Door Lock provides seamless entry into your home. It can be paired with your Unity Entrance Lock so that once your screen door unlocks, so too will the the entrance lock*.



DualDoor™ technology

Gain seamless entry when paired with your Yale Unity Entrance Lock and Yale Connect Plus.* Once your security screen door unlocks, your front door will too.



Tailor user access

Use the Yale Access App, Contactless Key Tags or upgrade with the Yale Smart Keypad** to access your lock



Auto unlock/lock

Auto unlock your door as you walk up to it, without the need to take out your phone. The integrated door position sensor tells you if your door is open or closed.

*DualDoor™ Technology requires pairing the Unity Security Screen Door and Unity Entrance Locks with Yale Connect Plus or two Yale Connect Bridges (one per lock) to operate.

**Yale Unity Entrance Lock, Connect Plus and Smart Keypad sold separately.

Unity Security Screen Door Lock



Gone are the days when you have to search around for your keys. Now you can control your front door and your security screen door with the Yale Access App, contactless key tag or Yale Smart Keypad*.

With Yale Access you can:

- Lock and unlock your door via your mobile device
- Grant access to others for one time access
- Grant access for a set period of time or a date range
- Keep track of visitor access

Think of the times when you walk up to your front door and have to search your bag or pockets for your house keys. Now imagine walking up to your front door and your lock unlocks the door as you approach!

Using multiple technologies including Bluetooth, Wi-Fi and GPS, as well as the Yale Access App, the auto unlock feature unlocks your door as you approach.

The Unity Security Screen Door Lock has patented digital deadlocking technology, locking both the internal and external handles of your lock when using your smart device or contactless key tag.

Need a premium security solution? An optional 3 point lock kit is available with your Unity Security Screen Door Lock. Activating these auxiliary locks is as simple as lifting the lever.

Lock alert indications show users the lock mode via an inbuilt LED. The lock has three modes: Unlock (green), Locked (yellow) and Secure (red). You can also press the internal electronic button to lock and unlock from the inside.

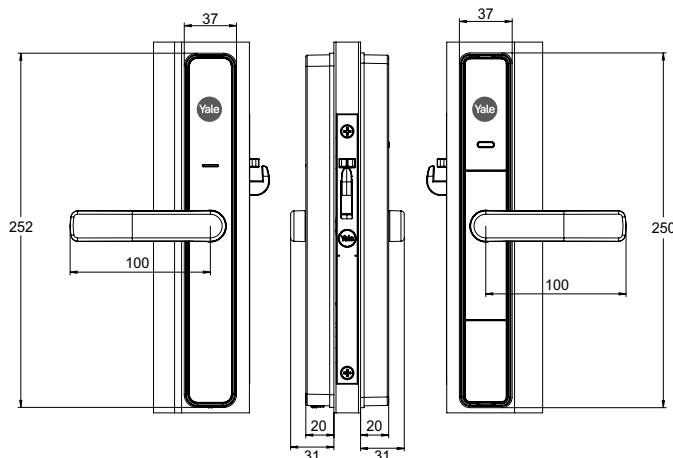
The inbuilt door position sensor checks the status of the door and tells you if your door is securely closed and locked. This avoids inadvertently locking your door while the door is open.

The Unity Security Screen Door Lock works with Amazon Alexa, Apple HomeKit and Google Home. You can control your lock with your voice using Alexa, Siri or Google Assistant.

The Unity Screen Door Lock meets Australian lock standards AS4145.2:2008, SL6 and D7.

*Yale Connect Plus Wi-Fi Bridge and Smart Keypad sold separately.

Unity Security Screen Door Lock



Features & Specifications

- Digital deadlocking
- Certified to SL6 (Security) and D7 (Durability) Australian Lock Standard (AS4145.2.2008)
- Fits industry-standard doors
- Total Control via Yale Access App
- Auto Unlock
- Tailor user access
- Lock alert
- 24/7 Lock Activity Trails
- Door position sensor
- 100% keyfree
- Support for 3 point locking including lift to engage



Technical Specifications

Australian Standard	AS4145.2.2008 SL6 Security D7 Durability
Compliance	Regulatory Compliance Mark (RCM) for Australia and New Zealand
Locking Type	Single point Zinc diecast screen door mortice and locking furniture. Self latching with stainless steel hook deadbolt for improved security performance. Additional 3 point locking kit with hook bolts actuators for premium security.
Door Thickness	18-25mm
Door Preparation	Fits industry standard cut outs/door preparation
Retrofits	Retrofits Lockwood 8654, Whitco Tasman Mk2 and Mk3 & Yale Quattro Screen Door Locks
Handing	Suits left or right hand opening doors
Finish	Silver powdercoat with black nylon with Stainless steel front end plates
RFID	2 x Contactless Key Tags
IP Rating	IP55
Operating Temperature	-25-70°C
Humidity	0-90%
Power	4 x AA Alkaline batteries
Battery Life on lock	Approximately 12 months
Low Battery Warning	20%
Volume Settings	Mute, Low, High
Use	Security Screen Doors, not for use where internal escutcheon is directly exposed to outside elements e.g. an outdoor gate.

Unity Security Screen Door Lock

Display Packs

Description	Part Number
Yale Unity Security Screen Door Lock Silver	YUR/SSDL/1/SIL
Yale Unity Security Screen Door Lock with Connect Bridge Silver	YUR/SSDL/BDG/SIL
Yale Unity Security Screen Door Lock with Smart Keypad Silver	YUR/SSDL/KP/SIL
Yale Unity Security Screen Door Lock with Keypad and Bridge Silver	YUR/SSDL/KIT/SIL

Spare Parts

Description	Part Number
2 x Yale Contactless Key Tags	YDKEYTAG
Standard 3 point kit	8654-3PK
High security 3 point kit	8654-3PK/HS
Projection Bolt 3 point kit	8654-3PK/PBT
Short rod 3 point kit	8654-3PK/SR
Retro fit rod 3 point kit	8654-3PK/RF
Projection Bolt 3 point kit - RF rods	8654-3PK/PBTRF
Strike centre lock (standard)	SP8654-20
Strike centre lock (extra width)	SP8654-21
Strike centre lock (12mm step over)	SP8654-22
Strike aux lock (standard)	SP8654-23
Strike aux lock (12mm step over)	SP8654-24
8654 Strike french door	SP8654-25
8654/MK3 Tasman retrofit strike	SP8654-26
8654 Strike packer 1.5mm - main lock PK = 50	SP8654-27
8654 Actuator bar spacer PK = 50	SP8654-28
8654 Narrow plate main lock strike french/double doors	SP8654-29
8654 Narrow plate auxiliary lock strike french/double doors	SP8654-30
8654 Projection bolt 3PT actuator bar-grey	SP8654-31
8654 Strike centre lock - extra width - 75mm	SP8654-32
8654 Strike centre lock - extra - 95mm	SP8654-33
8654 Narrow plate main strike packer 3mm	SP8654-34
8654 Narrow plate aux strike packer 3mm	SP8654-35
8654 Strike centre lock - bump strike	SP8654-36
8654 Strike centre lock - broad retrofit strike	SP8654-37
8654 Standard 3PT actuator bar-black PK=100	SP8654-55
8654 Auxiliary lock strike pocket template - SS	SP8654-AUX-STP
8654 Main lock strike pocket template - SS	SP8654-MAIN-STP

Unity Entrance Lock



Designed specifically for the Australian market, the Unity Entrance Lock has patented digital deadlocking technology allowing you to lock both the internal and external handles on your door.

The Unity Entrance Lock has three modes: Unlock (green), Locked (yellow) and Secure (red) - all indicated by an inbuilt LED light.

Controllable by either your Yale Access App, Contactless Key Tag or the Yale Smart Keypad*, the Unity Entrance Lock provides you with a range of options to control your lock.

The Yale Access App allows you to lock and unlock your door, grant access to others and keep track of visitor access, all via your smartphone. Grant users one-time access, access for a set period of time or a date range and avoid any lost, stolen or copied keys.

Using Bluetooth, Wi-Fi, GPS and the Yale Access App, the auto unlock feature unlocks your door as you approach it.

The Yale Unity Nexion Retrofit Kit* offers customers the option to upgrade the Lockwood Nexion Mechanical and Nexion Keyless Entrance Locksets to a Yale Unity Entrance Lock. This includes a latch and 3 sizes of strike plates to cover 35-45mm thick jambs. With their metallic finish, the latch and strike plates ensure a clean, high-quality appearance. The latch and strike plates are also designed to accommodate Yale Unity's door position sensor.

This door position sensor checks the status of the door and tells you if your door is open or closed, giving you the peace of mind that your door is secure when locking up.

The Unity Entrance Lock can be upgraded using the Yale Connect or Connect Plus Wi-Fi Bridge*. This allows you to access your lock from wherever you are in the world. Remote features include the ability to lock, unlock, manage user access and update lock settings.

The Yale Connect Bridge enables integration with your Google, Samsung or Alexa smart home hubs. The Unity Entrance Lock is also Apple HomeKit compatible (see Lock Compatibility Table on p.19 for details).

With the Yale Smart Keypad*, you can lock and unlock your door via PIN codes.

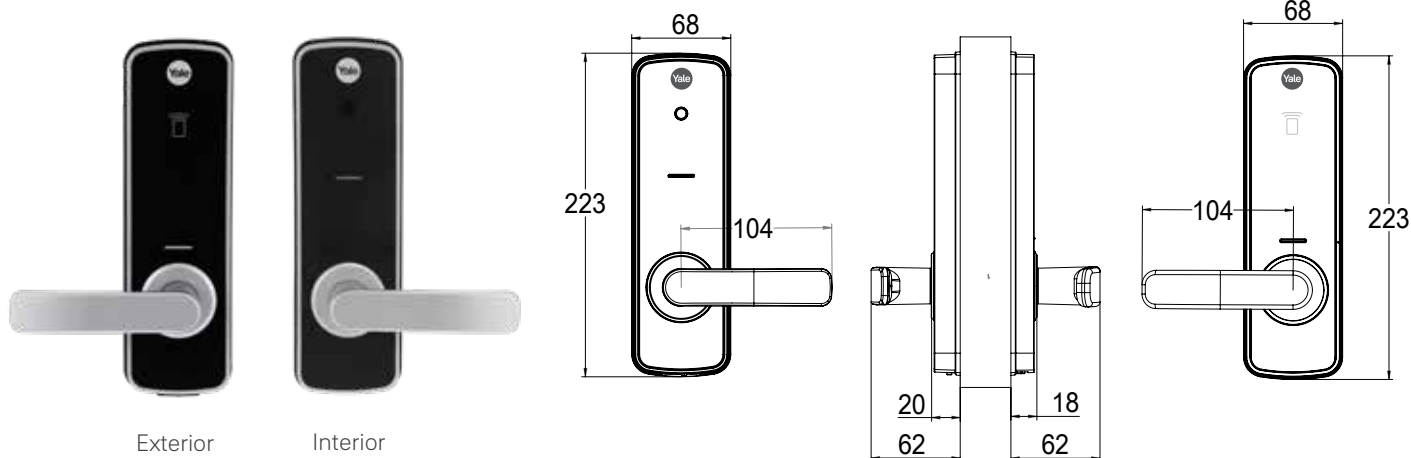
The durable metal Yale Unity Installation Template* is tradesperson friendly - particularly where multiple or ongoing installations are required.

The Unity Lock meets Australian lock standards AS4145.2:2008, SL8 and D8.

***Yale Connect, Connect Plus Wi-Fi Bridge, Yale Smart Keypad, Yale Unity Nexion Retrofit Kit and Yale Unity Installation Template sold separately.**

NOTE: Yale Unity Nexion Retrofit Kit not suitable for use on fire door applications.

Unity Entrance Lock



Description	Part Number
Yale Unity Entrance Lock Silver	YUR/DEL/1/SIL
Yale Unity Entrance Lock With Connect Bridge	YUR/DEL/BDG/SIL
Yale Unity Entrance Lock Silver with Smart Keypad	YUR/DEL/KP/SIL
Yale Unity Entrance Lock Silver with Connect Bridge and Keypad	YUR/DEL/KIT/SIL
Yale Contactless Key Tag	YDKEYTAG
Yale Unity Installation Template	YUR/TEMPLATE
Yale Unity Nexion Retrofit Kit	YUR/NX/KIT
Yale 530 Series Tubular Deadlatch 70mm Backset Satin Chrome	Y530-222SC

Technical Specifications	
Australian Standard	AS4145.2:2008, SL8 Security, D8 Durability, AS1530.8.1-2007 and BAL-40 Bush Fire Level
Compliance	Regulatory Compliance Mark (RCM) for Australia and New Zealand
Lock Type	530 Latch
Door Thickness	35-60mm
Backset	60-70mm backset (70mm latch sold separately – Y530-222SC)
Finish	Silver powdercoat with black nylon
RFID	2 x Contactless Key Tags
Power	4 x AA Alkaline batteries
Battery Life on lock	approximately 12 months
Low Battery Warning	20%
Volume Settings	Off, Low, High
Operating Temperature	-25-70°C
Humidity	0-95%
IP Rating	IP54

Features & Specifications

- Digital deadlocking
- Certified to SL8 (Security) & to D8 (Durability) Australian Lock Standard (AS4145.2:2008)
- Certified to BAL-40 Bushfire Level (AS1530.8.1-2007)
- Fits standard doors 35mm- 60mm thick
- 60-70mm backset latch compatible
- Total control via App
- Auto unlock
- Tailor user access
- Lock alert
- 24/7 Lock Activity trails
- Door Position Sensor
- 100% keyfree



Unity Entrance Lock Fire Rated

Features and Specifications

- Successfully tested for 2 hours on fire door assemblies in accordance with Australian Standard AS1905.1-2015 fire-resistant door sets
- Secure Mode disabled for fire door applications
- Ready to install out of the box. No need to install an additional fire kit to the door or make any adjustments to the Unity Entrance Lock door preparation
- Total control via the Yale Access App allows you to lock and unlock your door, grant access to others and keep track of visitors
- Auto unlock your door as you walk up without the need to take out your phone. The door position sensor tells you if your door is open or closed
- Tailor user access with Yale Access App, Yale Key Tags or upgrade with the Yale Smart Keypad to access your lock
- 100% key free. No cylinder means no lost keys and no pick and bump break-ins

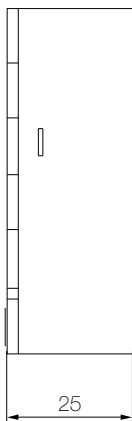
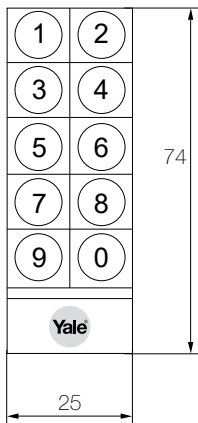
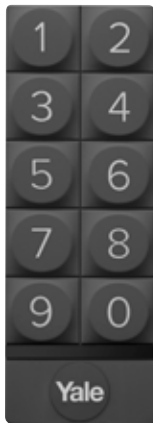


Description	Part Number
Yale Unity Entrance Lock Fire Rated Silver	YUR/DEL/FR/SIL
Yale Unity Entrance Lock Fire Rated Silver with Connect Bridge	YUR/DEL/FR/BDG/SIL
Yale Unity Entrance Lock Fire Rated Silver with Smart Keypad	YUR/DEL/FR/KP/SIL
Yale Unity Entrance Lock Fire Rated Silver with Connect Bridge and Smart Keypad	YUR/DEL/FR/KIT/SIL
Yale Contactless Key Tag	YDKEYTAG
Yale 530 Series Tubular Deadlatch 70mm Backset Satin Chrome	Y530-222SC

NOTE: The Yale Unity Installation template and Yale Unity door sensor and magnet are also compatible with Unity Entrance Lock Fire Rated.

Technical Specifications	
Australian Standard	AS4145.2.2008 SL8 Security D8 Durability AS1530.8.1 2018 BAL-40 Bush Fire Level AS1905.1.2015 Fire Resistant Door sets
Compliance	Regulatory Compliance Mark (RCM) for Australia and New Zealand
Lock Type	530 Latch
Door Thickness	35-60mm
Backset	60-70mm backset (70mm latch sold separately – Y530-2SC)
Finish	Silver powdercoat with black nylon
RFID	2 x Contactless Key Tags
Power	4 x AA Alkaline batteries
Battery Life on lock	approximately 12 months
Low Battery Warning	20%
Volume Settings	Mute, Low, High
Operating Temperature	-25-70°C
Humidity	0-95%
IP Rating	IP54
Use	Entry doors. Not for use on doors where the internal escutcheon is exposed to outside elements. Eg: Outdoor gate

Unity Series Accessory - Smart Keypad



Features and Specifications

- Compatible with Yale Unity Series
- Connects to your Yale Access app to tell you who comes and goes
- 220 PIN codes
- One-touch locking
- Hassle-free installation. No hard-wiring

Description	Part Number
-------------	-------------

Yale Smart Keypad	05/301000/BL
-------------------	--------------

NOTE: Compatible with Yale Unity Series

Technical Specifications

Compliance	Regulatory Compliance Mark (RCM) for Australia and New Zealand
Communication	Bluetooth V4.2
Dimensions	74h x 25w x 25d mm
Power	2 x AAA alkaline batteries
Battery Life	Approximately 3 months
Operating Temperature	-17-50°C
Operating Humidity	0-90%
Number of key codes	220 PIN codes

Unity Series Accessory - Connect Plus Wi-Fi Bridge

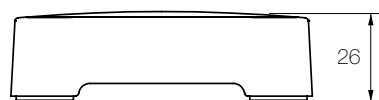
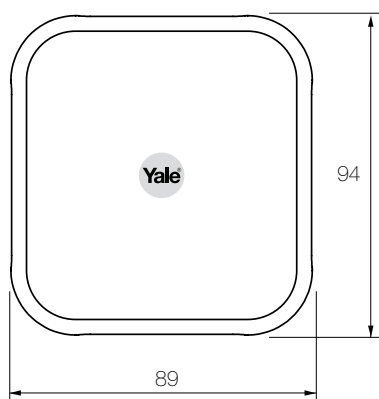


Designed to support up to 16 Yale Access smart devices throughout your home, the Yale Connect Plus Wi-Fi Bridge keeps your devices connected and power points free.*

The Connect Plus Bridge allows you to access and manage your Yale Access smart devices from wherever you are.

The Connect Plus Wi-Fi Bridge works with your smart home and can easily be integrated into your home automation system. This gives you the option of turning on your lights when your door unlocks or even playing your favourite song when you walk through the door.

The Yale Connect Plus Bridge is compatible with voice assistants - easily integrate it into your Google, Samsung or Alexa enabled smart home devices.



Features and Specifications

- Support for 16 Yale Access smart devices
- Expand the capabilities of your Yale Home by enabling new features including DualDoor™ Technology**
- Seamlessly manage you Yale smart devices from anywhere using the Yale Access App
- Enables smart home connectivity with Google Home, Amazon Alexa, Samsung SmartThings
- Simple app-driven set-up process

*Home size, layout and building material can impact performance. Medium and larger sized home may require additional devices for full coverage

** DualDoor™ Technology requires pairing the Unity Security Screen Door and Unity Entrance Locks with Yale Connect Plus or two Yale Connect Bridges (one per lock) to operate.

Description	Part Number
Yale Connect Plus Bridge	AYR-BDG-CB2-ANZ

NOTE: Compatible with Yale Access Enabled Smart Locks

Technical Specifications	
Compliance	Regulatory Compliance Mark (RCM) for Australia and New Zealand
Communication	Wi-Fi 2.4GHz, 5GHz & Bluetooth V4.2
Dimensions	94h x 89w x 26d mm
Power	5 VDC/1.0A power adaptor through USB-C port
Plug Type	I plug
Operating Temperature	0-40°C
Operating Humidity	10-85%
Finish	Matt white with smoked acrylic lens

Unity Series Accessory - Connect Bridge



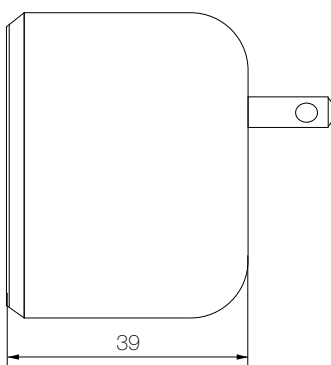
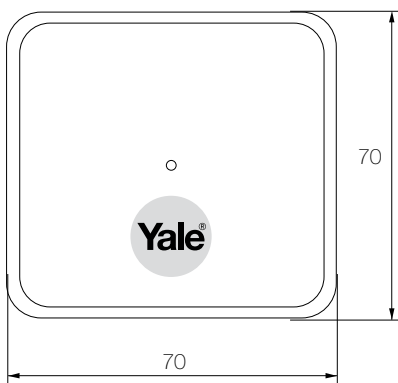
The Yale Connect Bridge allows you to access your lock from wherever you are. You can lock and unlock, and change your PIN codes and settings remotely using your smart device. By integrating the bridge into your home automation system, you can also turn your lights on when your door unlocks or even play your favourite song.

The Yale Connect Bridge enables voice assistant and can integrate into your Google, Samsung or Alexa enabled smart home devices.



Features and Specifications

- Remote operation of your lock
- Enables smart home connectivity with Google Home, Amazon Alexa, Samsung SmartThings

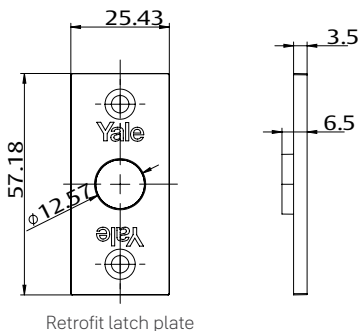
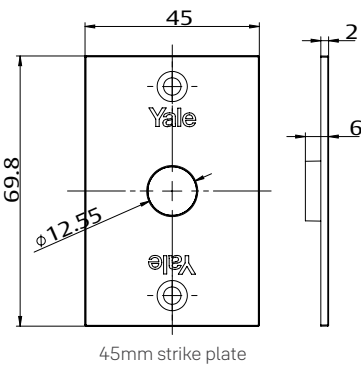
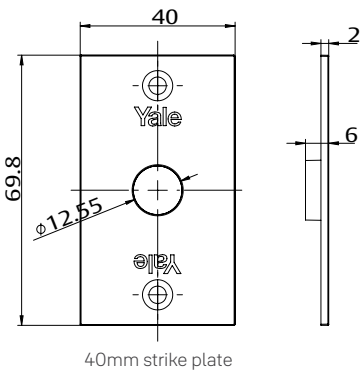
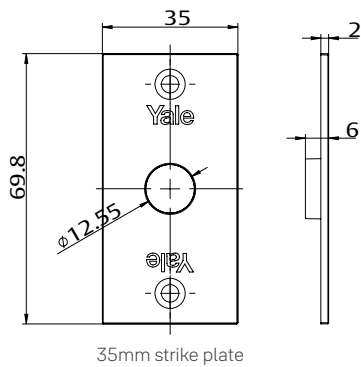


Description	Part Number
Yale Connect Bridge	YAL-AC02-ANZ

NOTE: Compatible with Yale Access Enabled Smart Locks

Technical Specifications	
Compliance	Regulatory Compliance Mark (RCM) for Australia and New Zealand
Communication	Wi-Fi 2.4GHz & Bluetooth V4.2
Dimensions	70h x 70w x 39d mm
Power	100 - 240V AC, 50/60Hz
Plug Type	I plug
Operating Temperature	0-40°C
Operating Humidity	10-85%
Finish	Matt white

Unity Series Accessory - Yale Unity Nexion Retrofit Kit



The Yale Unity Nexion Retrofit Kit* has been designed to offer you the option to upgrade the Lockwood Nexion Mechanical and Nexion Keyless Entrance Locksets to a Yale Unity Entrance Lock.

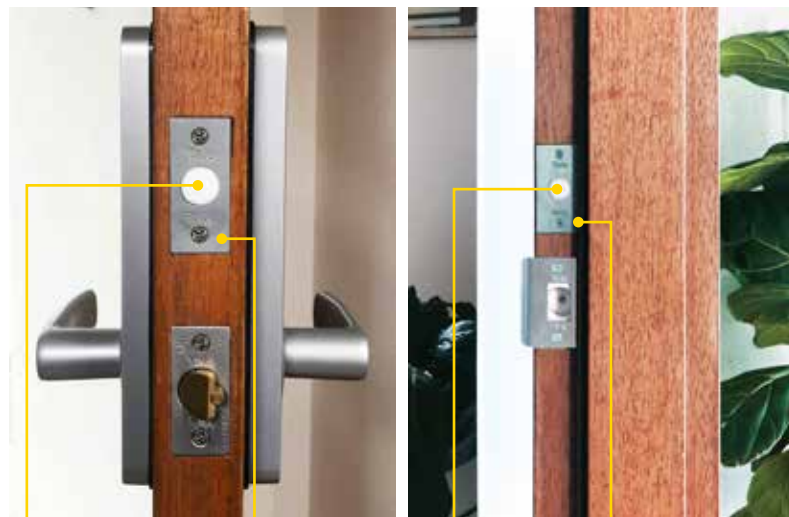
The Kit includes:

- Retrofit latch plate
- Retrofit strike plates (3 sizes, covering 35-45mm thick jambs)
- Latch and strike plate screw set

With their metallic finish, the latch and strike plates ensure a clean and quality appearance when the Nexion is replaced with the new Yale Unity Entrance Lock. The latch and strike plates are designed to support the door position sensor and magnet. The three different strike plate sizes included in the Retrofit Kit provide the option to cater to multiple types of jamb thickness (35-45mm).

*Retrofit Kit not suitable for use on fire door applications.

Description	Part Number
Yale Unity Nexion Retrofit Kit	YUR/NX/KIT



Door position sensor

Retrofit latch plate

Door position magnet

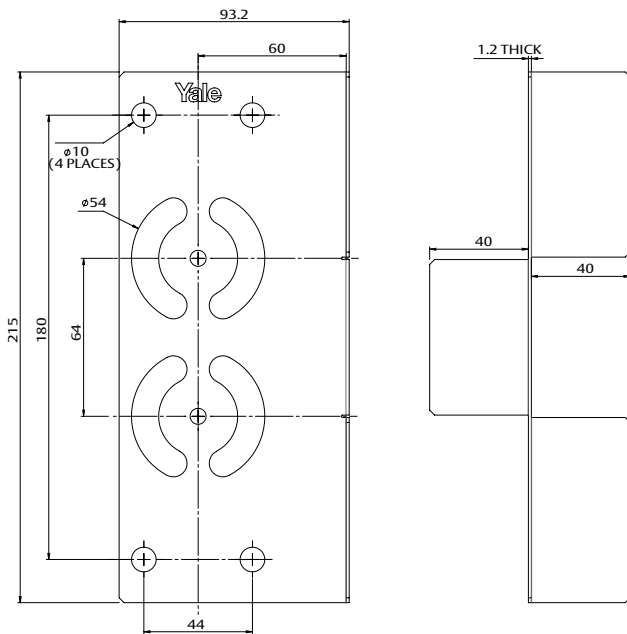
Retrofit strike plate

Unity Series Accessory - Unity Entrance Lock Installation Template

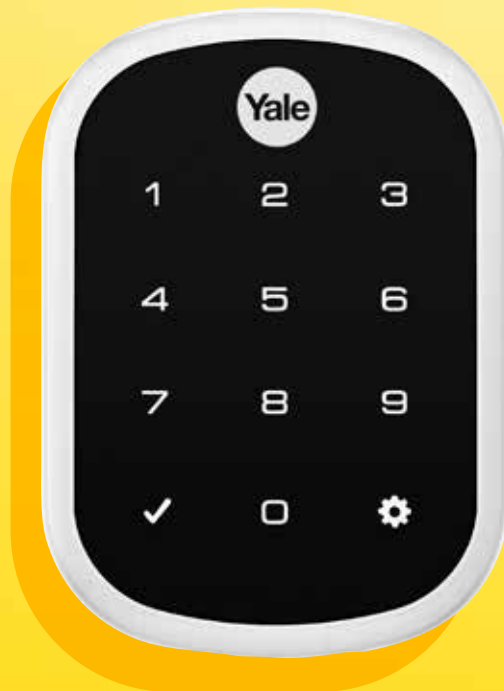


This durable metal template is tradesman friendly, particularly useful where multiple or ongoing installations are required.

Description	Part Number
Yale Unity Installation Template	YUR/TEMPLATE



Assure Lock[®] SL



Never worry about carrying or losing your house keys again! Simply lock and unlock your door with your new touchscreen keypad. You can even create unique PIN codes to share with your family and friends.

The Assure Lock SL can be upgraded with a Yale Module to integrate seamlessly with your home automation or alarm systems. This deadbolt lets you enjoy the convenience of 100% key-free unlocking.

Works with your Smart Home

The Assure Lock SL can be upgraded with a Yale Module (Yale Access, Z-Wave Plus and ZigBee*) to integrate into most home automation systems so that you can control and monitor the lock from anywhere in the world.

*Modules are sold separately

Features & Specifications

- Simple installation
- Create up to 25 unique PIN codes
- Keyless entry
- Suits a standard 54mm timber door
- Adjustable 60-70mm backset deadbolt
- 4 x AA Alkaline Batteries
- 9V battery backup
- Home automation integration capabilities with Yale Network Module
- Available in Satin Chrome and Matt Black finishes



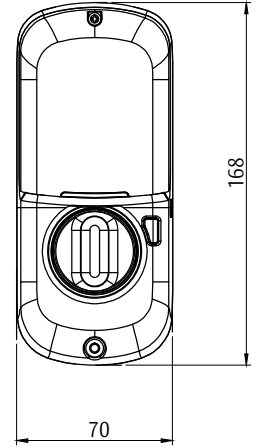
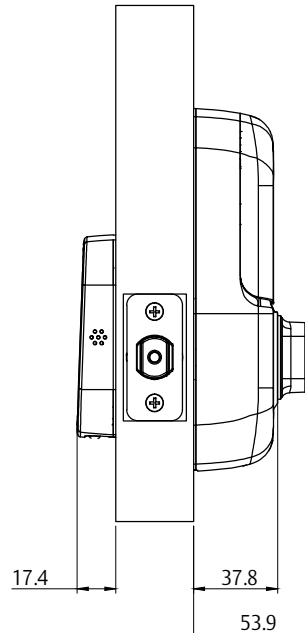
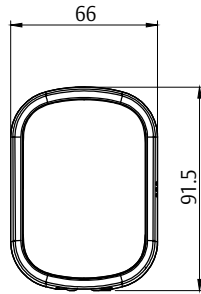
Assure Lock[®] SL



Exterior



Interior



Exterior



Interior

Description	Part Number
Yale Assure Lock SL Satin Chrome	YRD256NRSC
Yale Assure Lock SL Matt Black	YRD256NRMBK

Assure Lock[®] Keyed



Lock and unlock your home without the hassle of keys and create unique PIN codes to share with your friends and family.

The Assure Lock Keyed features an automatic re-lock function so that when the latch is retracted, the lock will automatically lock after a specified period of time.

The Yale Assure Lock digital deadbolt can be upgraded with a Yale module (Yale Access, Z-Wave Plus* and ZigBee*) to seamlessly integrate into most home automation and alarm systems.

*Modules are sold separately

Features & Specifications

- Simple installation
- Create up to 25 Unique PIN codes
- Mechanical key override
- Suits a standard 54mm timber door
- Adjustable 60-70mm backset deadbolt
- 4 x AA Alkaline Batteries



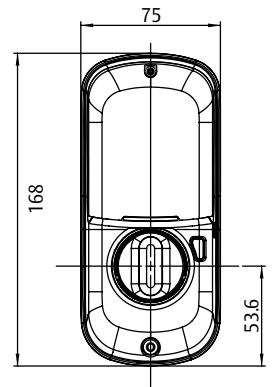
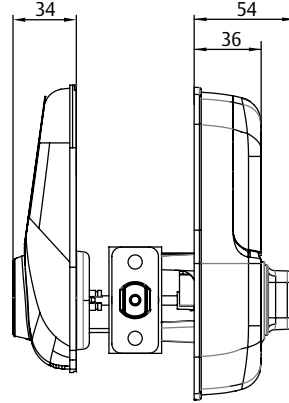
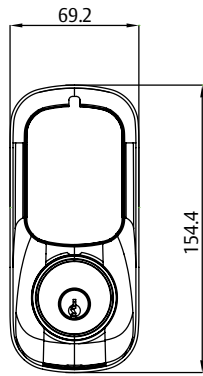
Assure Lock[®] Keyed



Exterior



Interior



Description	Part Number
Yale Assure keyed electronic digital deadbolt satin chrome	YRD226NRSC

Yale Access Kit



The Yale Access Kit allows users with an Assure Series lock to utilise the functions and features of the Yale Access App.

In four simple steps, you can access the features within minutes:

Step 1: Install the Yale Access Module into the back of an Assure Lock

Step 2: Install the door sense to your door jam

Step 3: Plug in the Yale Connect Bridge to your power socket

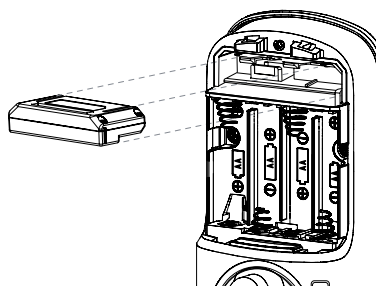
Step 4: Download the Yale Assure App.

The Yale Access Kit enables features such as 24/7 lock activity, auto unlock, auto lock and remote access. Yale's door position sensor checks the status of the door and tells you if your door is securely closed and locked. This avoids inadvertently locking your door whilst the door is open.

Suitable for Assure series locks, this is a quick and simple solution to the first of your smart home devices or to add to an existing solution.

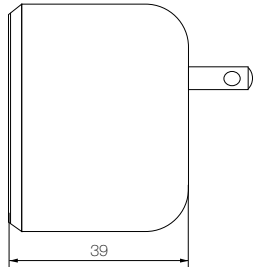
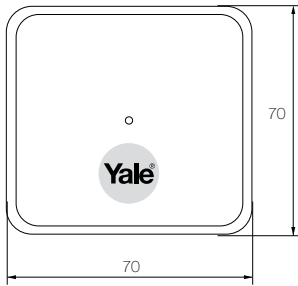
Features and Specifications

- Total control via the App
- Remote access
- Auto unlock/lock
- Door position sensor
- Voice assistant compatible
- Tailor user access
- 24/7 Lock Activity trails



Supported on Assure Lock Range:

Yale Access Kit



Description	Part Number
-------------	-------------

Yale Access Kit with Connect Bridge and Module	YD-ACCESSKIT
--	--------------

*Compatible with Yale Assure series

Technical Specifications	
--------------------------	--

Compliance	Regulatory Compliance Mark (RCM) for Australia and New Zealand
------------	--

Communication	Wi-Fi 2.4GHz & Bluetooth V4.2
---------------	-------------------------------

Dimensions	70h x 70w x 39d mm
------------	--------------------

Power	100 - 240V AC, 50/60Hz
-------	------------------------

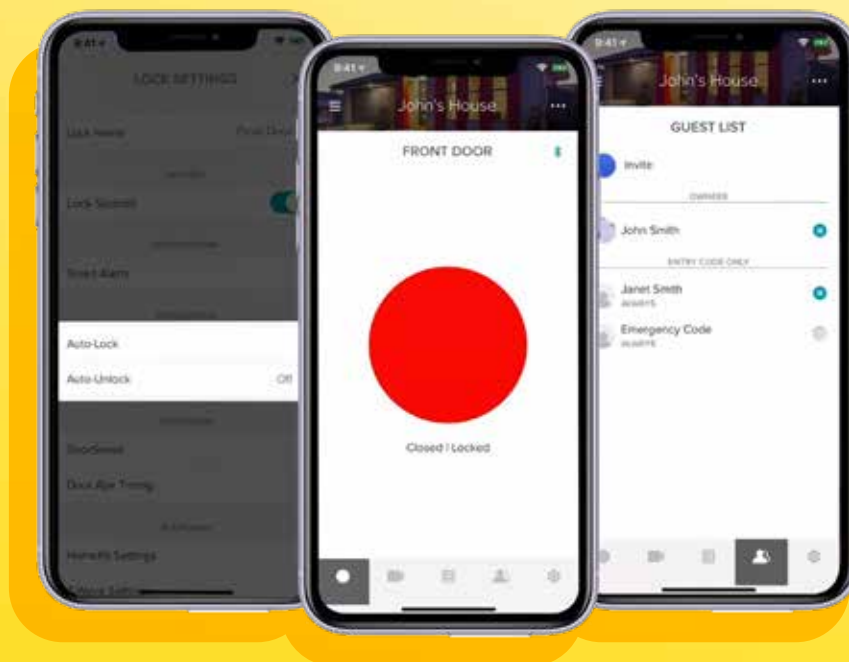
Plug Type	I plug
-----------	--------

Operating Temperature	0-40°C
-----------------------	--------

Operating Humidity	10-85%
--------------------	--------

Finish	Matt white
--------	------------

Yale Access App



Yale Access is Yale's global digital locking solution for the residential market. Yale smart locks can be controlled through the use of the Yale Access App, giving you total control over your lock. Lock and unlock your door, grant access to others and keep track of visitor access all via your mobile device.

With 24/7 lock activity, you can see who accessed your lock and when. Using Bluetooth, Wi-Fi, GPS and the Yale Access App, the auto unlock function unlocks your door as you approach.

Yale's Door Position Sensor checks the status of the door and tells you if your door is securely closed and locked. This avoids inadvertently locking your door while the door is open.

With a Yale lock connected to the Yale Connect Bridge* you can lock and unlock your door from wherever you are and change PIN codes and lock settings remotely. By integrating the bridge into your home automation system, you can turn your lights on when your door unlocks or even play your favourite music.

The Yale Connect Bridge also enables voice assistant and can integrate into your Google, Samsung or Alexa smart home devices.

When connecting the Yale Smart Keypad* to your lock, you can lock and unlock your door via the keypad. Connected via Bluetooth to the lock, you can create unique entry codes to unlock your lock without a traditional key or phone. The keypad is easy to mount outside your door, without the need to hard-wire.

The Yale Access App is a seamless and simple method of controlling and monitoring your lock for peace of mind and security.

*Products Sold Separately

Features and Specifications

- Total control via the App
- Remote access
- Auto unlock/lock
- Door position monitoring
- Voice assistant compatible
- Tailor user access
- 24/7 Lock Activity trails

Lock Compatibility



	Unity	Unity + Bridge	Unity + Bridge + Keypad	Unity Screen Door Lock	Unity Screen Door Lock + Keypad	Unity Screen Door Lock + Bridge	Unity Screen Door Lock + Bridge + Keypad
Local Access via Bluetooth	✓	✓	✓	✓	✓	✓	✓
Remote Access		✓	✓			✓	✓
Digital Deadlocking	✓	✓	✓	✓	✓	✓	✓
Total Control via App	✓	✓	✓	✓	✓	✓	✓
Auto-Unlock / Auto-Lock	✓	✓	✓	✓	✓	✓	✓
Audit Trails	✓	✓	✓	✓	✓	✓	✓
Open with Keycodes			✓		✓		✓
DoorSense/DPS	✓	✓	✓	✓	✓	✓	✓
Works with Apple HomeKit	✓	✓	✓	✓	✓	✓	✓
Works with Amazon Alexa		✓	✓			✓	✓
Works with Google Assistant		✓	✓			✓	✓
Works with Samsung SmartThings		✓	✓			✓	✓

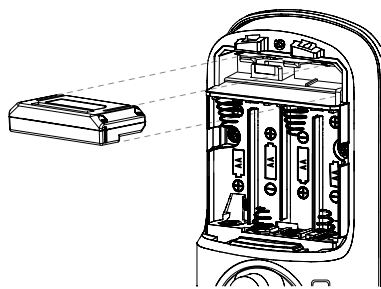


	Assure/Assure SL	Assure/Assure SL + Access Module	Assure/Assure SL + Access module + Bridge
Local Access via Bluetooth		✓	✓
Remote Access			✓
Digital Deadlocking			
Total Control via App		✓	✓
Auto-Unlock / Auto-Lock		✓	✓
Audit Trails		✓	✓
Open with Keycodes	✓	✓	✓
DoorSense/DPS		✓	✓
Works with Apple HomeKit		✓	✓
Works with Amazon Alexa			✓
Works with Google Assistant			✓
Works with Samsung SmartThings			✓

Network Modules



The Yale ZigBee, Z-Wave Network Modules seamlessly integrate into most home automation and alarm systems.



Yale ZigBee & Z-Wave Network Module Features

- Unlock your home with your smartphone.*
- Remote Access Control: with the Yale ZigBee or Z-Wave Network Module you can control your Assure Lock from anywhere via your Home Automation Hub.*

*Requires compatible ZigBee or Z-Wave Home Automation Hub (sold separately). Features may vary based on Hub software.

Description	Part Number
Yale ZigBee Network Module	YRD-ZBM-1
Yale Z-Wave Network Module	YRD-ZWM-1

Supported on the Yale Assure Lock Series.



ASSA ABLOY Australia Head Office
ASSA ABLOY Australia Pty Limited
235 Huntingdale Road, Oakleigh
Victoria, 3166 Australia

1300 LOCK UP (1300 562 587)
customerservice.au@assaabloy.com
assaabloyopeningsolutions.com.au

yalehome.com.au



Disclaimer

Whilst every effort has been made to ensure that the information (including product images and drawings) contained in this brochure is accurate at the time of publication, ASSA ABLOY Australia Pty Limited ("ASSA ABLOY") recommends that you consult ASSA ABLOY or its agents prior to placing an order to ascertain current information on specific products, as ASSA ABLOY reserves the right to make changes without notice. ASSA ABLOY will not be liable for any injury, loss or damage whatsoever, arising from any errors or omissions in the information contained in the brochure or arising from the use or application of the information contained herein. © 2022 copyright by ASSA ABLOY All rights reserved

ASSA ABLOY Australia Pty Limited ABN 90 086 451 907 © 2022_03 | MC13188

Part of ASSA ABLOY

