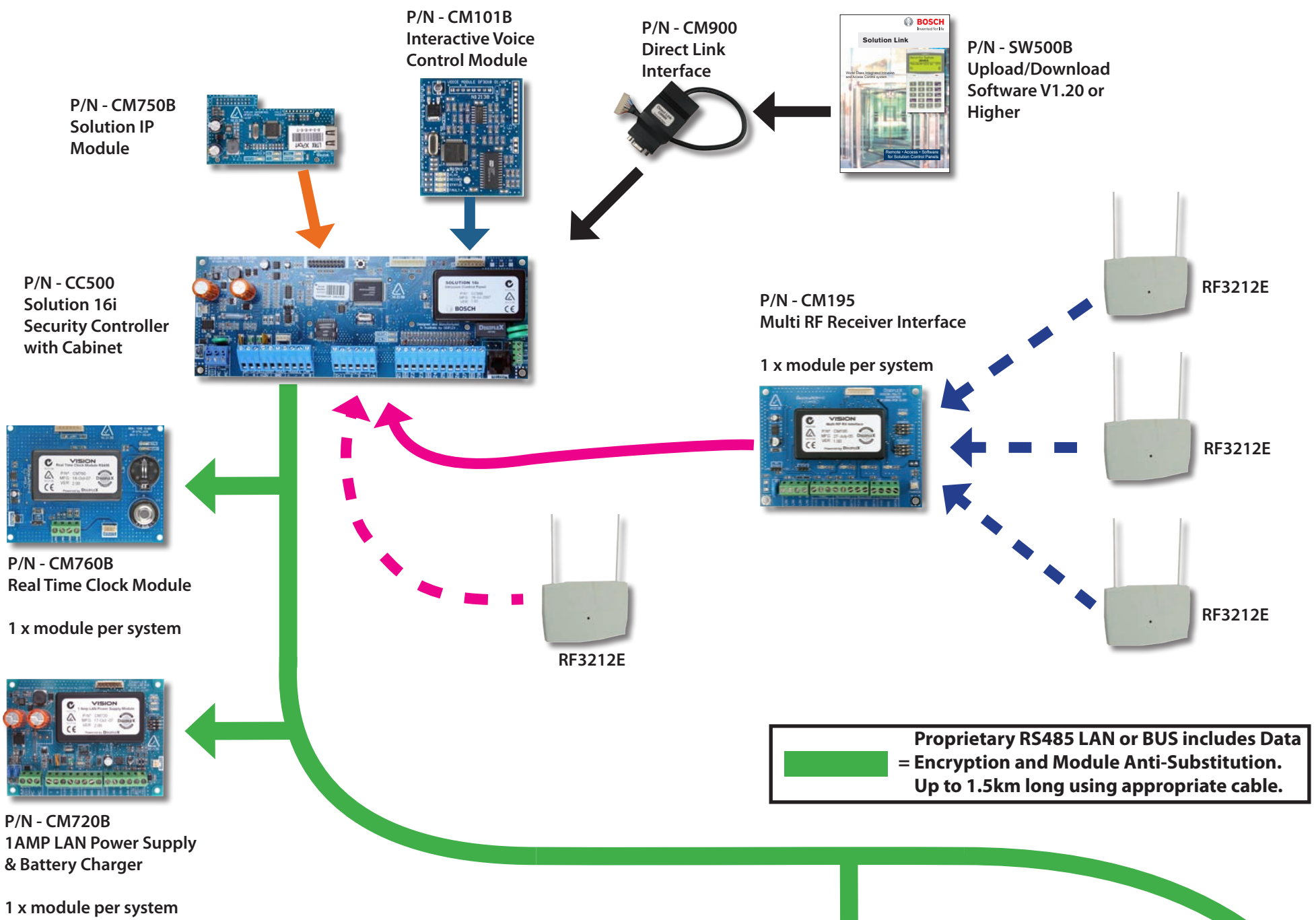


Solution 16i Product Matrix

Showing Products Available as of September 2009 - Firmware Release V2.10



Proprietary RS485 LAN or BUS includes Data = Encryption and Module Anti-Substitution. Up to 1.5km long using appropriate cable.

ZONE CONFIGURATION TABLE				
Device	Single EOL	Alarm + Tamper	Split EOL	RF Zones
Solution 16i	8	8	16	Up to a maximum of 16 zones
Total Zones	8	8	16	
Solution 16i + CM704B Expander	8	8	16	Up to a maximum of 16 zones
Total Zones	16	16	16	

Any combination of ICON, ICON Prox Keypads or Night Arm Stations can be fitted to the Solution16i panel.

A maximum of 8 keypad style devices are supported per system.



P/N - CM710B
4 Way LAN Relay Output Card
1 x module per system

