

NDA-U-WMP Wall mount plate

www.boschsecurity.com



BOSCH
Invented for life



- ▶ Enables weatherproof (IP66) installation for outdoor & IR variants of the AUTODOME IP 5000i
- ▶ Modular design for fast and easy installation
- ▶ Weather resistant finish to maintain cosmetic appearance
- ▶ Vandal resistant design for indoor and outdoor use

The modular camera mounts & accessories are a family of mounts, mounting adapters, pendant interface plates and surveillance cabinets which can be used with a wide range of Bosch cameras. The accessories are easy to install and can be combined to simplify installation in multiple locations whilst retaining the same look and feel.

Functions

Wall mount plate

The wall mount plate enables weatherproof (IP66) installation for outdoor & IR variants of the AUTODOME IP 5000i.

It provides a safe and robust solution to mount cameras directly to a wall, ceiling or together with the following accessories:

- NDA-U-CMT Corner mount adapter
- NDA-U-PMAL Pole mount adapter large

Certifications and approvals

Environmental

Salt mist	IEC60068-2-52
Impact	IK10
Ingress protection	IP66

Parts included

Quantity	Component
1	Wall mount plate
1	Quick Installation Guide

Technical specifications

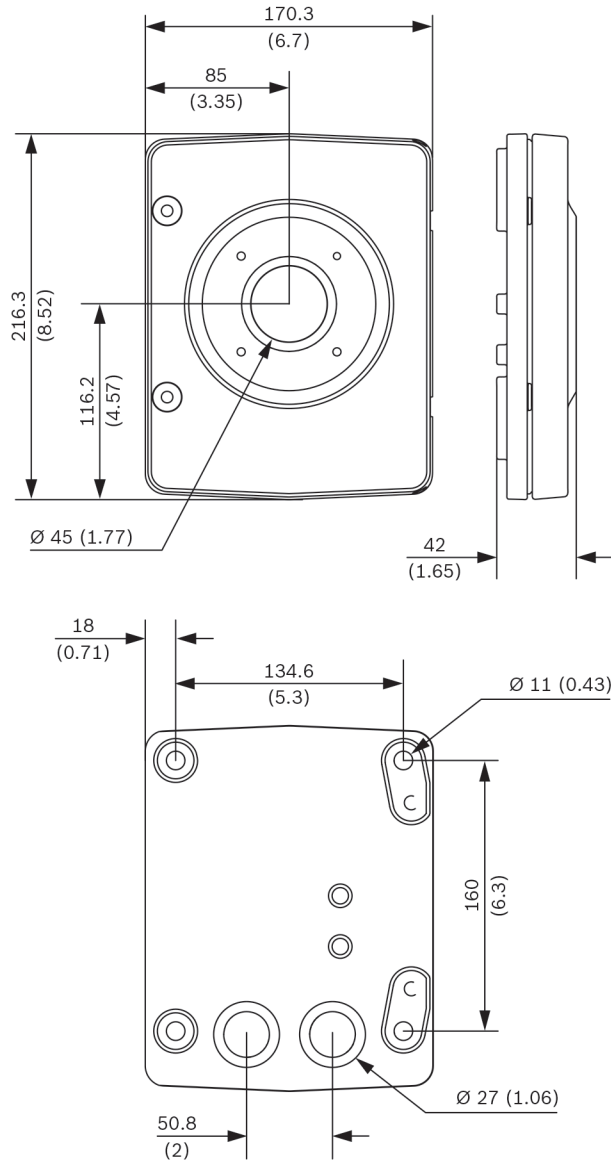
Mechanical

Dimensions (W x H x D)	170 x 216 x 47 mm (6.7 x 8.5 x 1.9 in)
Weight	1425 g (3.14 lb)

Mechanical

Standard Color White (RAL 9003)

Construction Material Aluminum alloy



Dimensions in mm (inch)

Ordering information

NDA-U-WMP Wall mount plate

Back plate for universal wall mount, corner mount and pole mount, white, IP66
Order number **NDA-U-WMP**

Accessories

NDA-U-WMT Pendant wall mount

Universal wall mount for dome cameras, white
Order number **NDA-U-WMT**

NDA-U-CMT Corner mount adapter

Universal corner mount, white
Order number **NDA-U-CMT**

NDA-U-PMAL Pole mount adapter large

Universal pole mount adapter, white; large
Order number **NDA-U-PMAL**

NDA-U-PMT Pendant pipe mount, 12" (31cm)

Universal pipe mount for dome cameras, 31 cm, white
Order number **NDA-U-PMT**

Represented by:

Europe, Middle East, Africa:
Bosch Security Systems B.V.
P.O. Box 80002
5600 JB Eindhoven, The Netherlands
Phone: + 31 40 2577 284
emea.securitysystems@bosch.com
emea.boschsecurity.com

Germany:
Bosch Sicherheitssysteme GmbH
Robert-Bosch-Ring 5
85630 Grasbrunn
Germany
www.boschsecurity.com

North America:
Bosch Security Systems, Inc.
130 Perinton Parkway
Fairport, New York, 14450, USA
Phone: +1 800 289 0096
Fax: +1 585 223 9180
onlinehelp@us.bosch.com
www.boschsecurity.us

Asia-Pacific:
Robert Bosch (SEA) Pte Ltd, Security Systems
11 Bishan Street 21
Singapore 573943
Phone: +65 6571 2808
Fax: +65 6571 2699
apr.securitysystems@bosch.com
www.boschsecurity.asia