

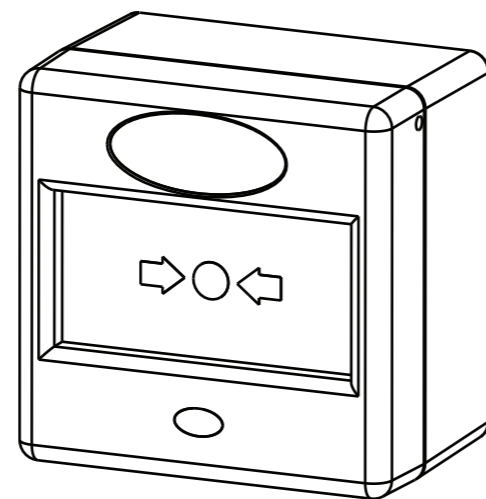
Environmental Advice.
This product is covered by current WEEE regulations. Please consider the effect on the environment when disposing of it. Do not put in a domestic waste bin. Only dispose of at an appointed recycling centre.

FP3/GR/TP-issue01



FP3 Triple Pole Emergency Door Release

GB Patent 2404494



Technical Specifications

Operating Element	Resettable element (Plastic)
Switch Type	3 x Single pole changover.
Operating Voltage	Nominally 12-24 volts D.C
SW1 -SW2 Contact Rating	12A 125/250 VAC
SW3 Contact Rating	3A 125VAC
LED Indication	Red LED with current limiting resistor 12/24 Volt
Terminal Type	2.5mm insertion type, rated 10A/250VAC
IP Rating	IP44 For indoor use only
Temperature Range	-10C to +55C
Materials	Case ABS, operating element Polycarbonate

CQR Security, 125, Pasture Road, Moreton, Wirral, CH46 4TH, United Kingdom
Tel: +44 (0) 151 606 1000 Support: +44 (0) 151 606 6311 Web <http://www.cqr.co.uk>

