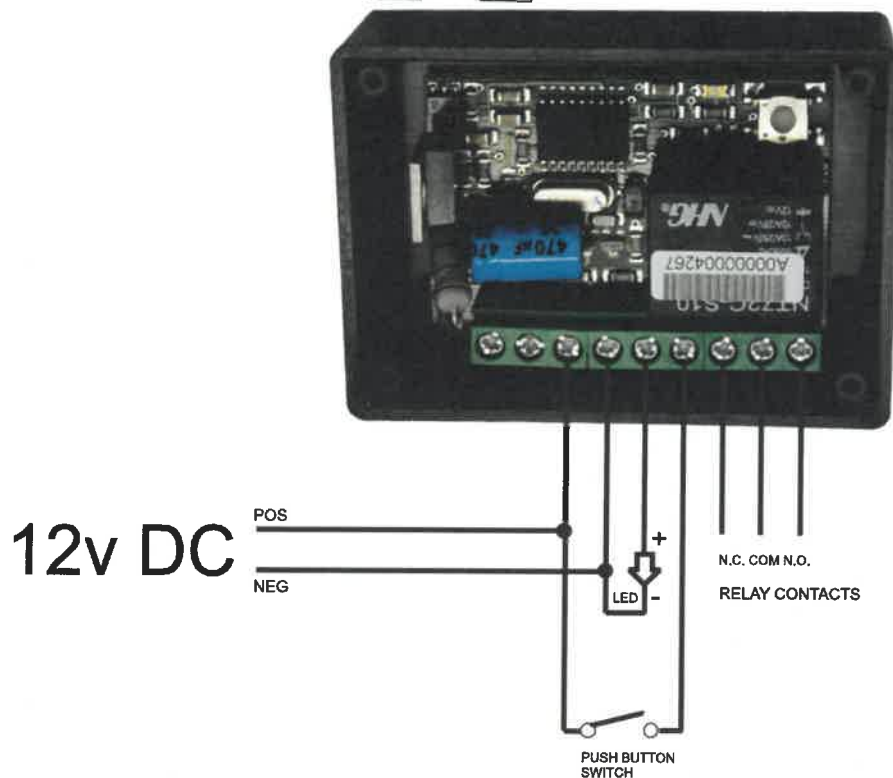


Stepper 12v



Connection Diagram

Specifications

12v DC operation

Potential free relay contacts N.O. and N.C.

LED output

POS trigger input

Features

The Relay and LED will flip flop each time the trigger input is activated

