

# DHI-VTO4202FB-P1

## 2-wire IP Modular Apartment Door Station



- Anodized aluminum front panel.
- CMOS low illumination 2MP HD colorful 168.6° camera.
- Video intercom function.
- Provides 12 VDC, 600 mA power.
- Mobile phone app, talk to the visitor or unlock the door remotely on your phone.
- IK07 & IP65 rated (silicone sealant is required for the shell, see the quick start guide).
- Support surface and flush mount.
- Support H.265 and H.264.
- Standard PoE power supply (if the VTO device with 12 V power output needs to charge the load, it should be connected to a PSE switch that complies with the 802.3.at standard).

### Technical Specification

#### System

Main Processor	Embedded Processor
Operating System	Embedded Linux Operation System
Button Type	Mechanical
Number of Buttons	1
Interoperability	CGI; ONVIF
Network Protocol	UDP; TCP; IPv4; DNS; RTSP; UPnP; SIP; P2P; RTP

#### Basic

Camera	1/2.9" 2 MP CMOS
Field of View	H: 168.6°; V: 87.1°; D: 176.7°
WDR	120 dB
Noise Reduction	3D NR
Video Compression	H.265; H.264
Video Resolution	Main stream:720p; WVGA; D1; CIF Sub stream:1080p; WVGA; D1; QVGA; CIF
Video Frame Rate	25 fps
Video Bit Rate	256 Kbps to 8 Mbps
Light Compensation	Auto IR
Day/Night	Auto(ICR)/Color/B/W; Color/B/W
Audio Compression	G.711a; G.711u; PCM
Audio Input	1 channel
Audio Output	Built-in speaker
Audio Mode	Two-way audio



Audio Enhancement	Echo suppression/digital noise reduction
Audio Bit Rate	16 kHz, 16 bits

#### Function

Communication Mode	Digital 2-wire
Unlock Mode	Remote
Leave Videos	Yes (SD card is inserted in the indoor monitor or door station)
Storage	Supports Micro SD card (up to 256 GB)
Web Configuration	Yes

#### Performance

Casing Material	Aluminum
-----------------	----------

#### Capacity

Card Capacity	3000
Fingerprint Capacity	3000

#### Port

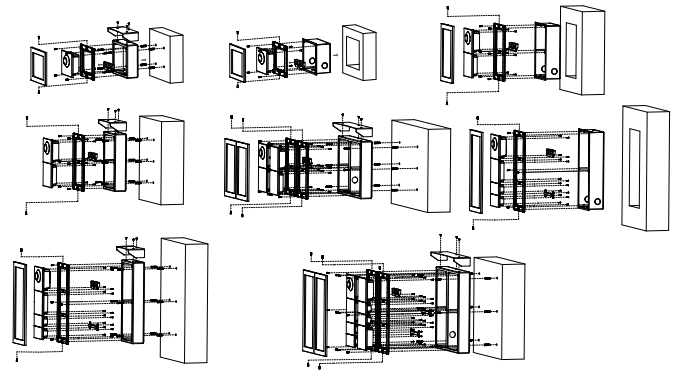
RS-485	1
Alarm Output	1
Power Output	1 port, 12 V/600 mA
Exit Button	1
Door Status Detection	1
Lock Control	1

Network Port	1 × RJ-45 port, 10/100 Mbps network port
Alarm	
Tamper Alarm	Yes
General	
Appearance Color	Black
Power Supply	Dahua 2-wire switch (max. power supply distance is 50 m) 48 VDC, 1 A; PoE (802.3af/at)
Power Adapter	Optional
Installation	Flush Mount; Surface Mount
Certifications	CE
Accessory	Surface mount box (optional); flush mount box (optional); rain cover (optional)
Product Dimensions	100.0 mm × 100.0 mm × 49.4 mm (3.94" × 3.94" × 1.94")
Protection	IK07; IP65
Operating Temperature	-30°C to +60°C (-22°F to +140°F)
Operating Humidity	10%–90% (RH), non-condensing
Operating Environment	Outdoor
Operating Altitude	0 m–3000 m (0 ft–9842.52 ft)
Power Consumption	≤4 W (standby), ≤5 W (working)
Gross Weight	0.43 kg (0.95 lb)
Storage Temperature	0 °C to +40 °C (+32 °F to +104 °F)
Storage Humidity	30%–75% (RH), non-condensing

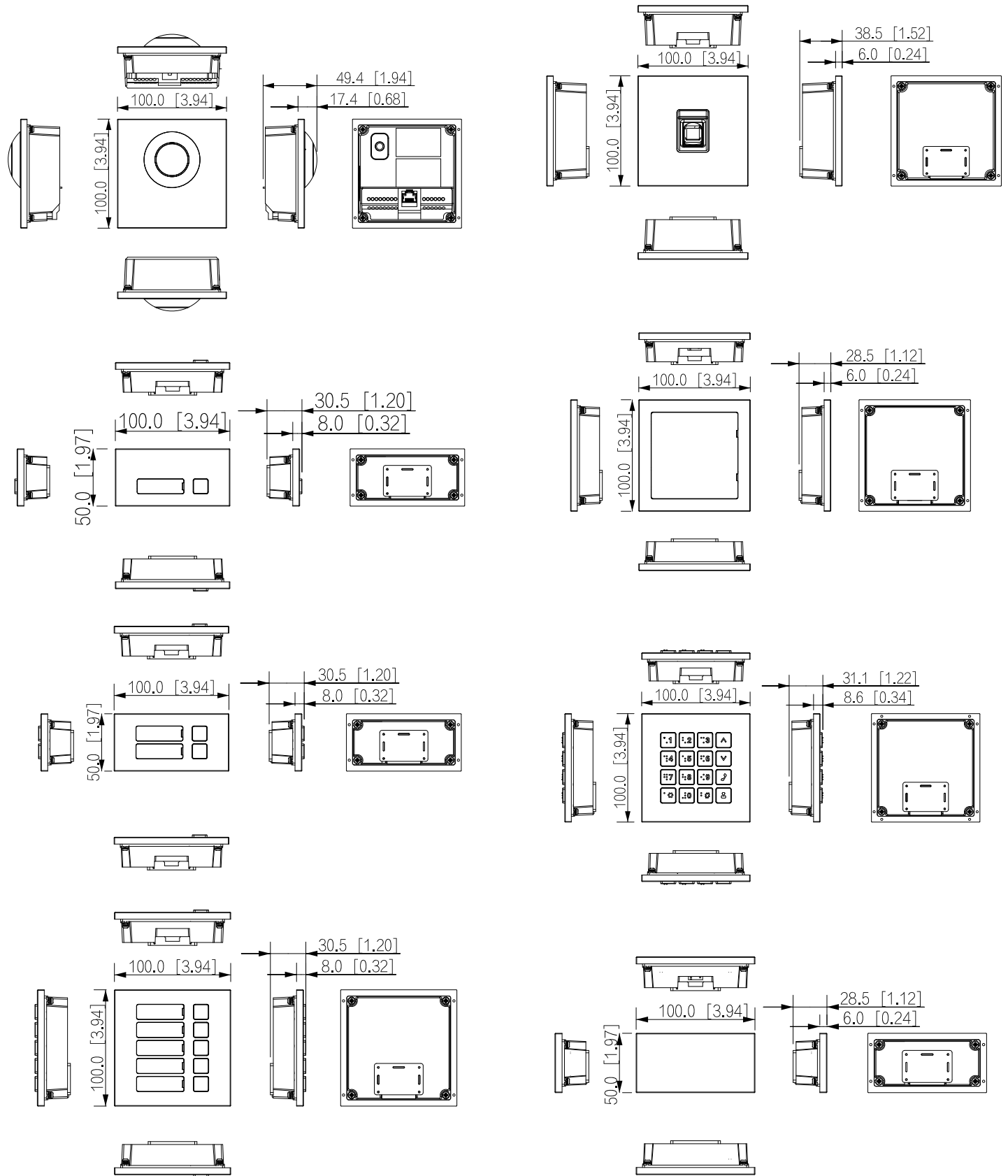
Ordering Information		
Type	Model	Description
Modules	DHI-VTO4202FB-P1	Camera module(Black)
	DHI-VTO4202FB-MB1	One-button module(Black)
	DHI-VTO4202FB-MB2	Two-button module(Black)
	DHI-VTO4202FB-MB5	Five-button module(Black)
	DHI-VTO4202FB-MS	Display module(Black)
	DHI-VTO4202FB-ML	Indicator module(Black)
	DHI-VTO4202FB-MK	Keyboard module(Black)
	DHI-VTO4202FB-MF	Fingerprint module(Black)
	DHI-VTO4202FB-MR	Card swiping module(IC)(Black)
	DHI-VTO4202FB-MR1	Card swiping module(ID)(Black)
	DHI-VTO4202FB-MN	Blank Module(Black)
	DHI-VTO4202FB-MI	Info module(Black)

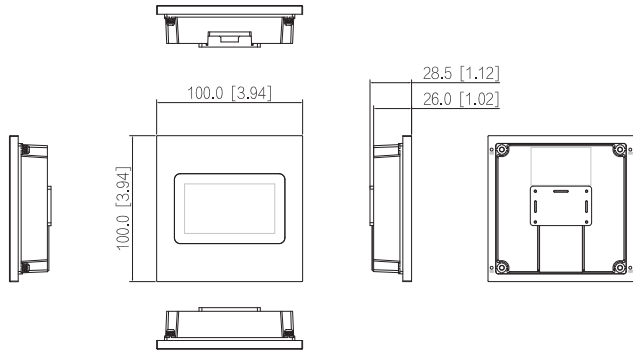
Accessories	VTM76	Vertical one module, surface mounted rain cover(Black)
	VTM26R2	Vertical two modules, surface mounted rain cover(Black)
	VTM27R3	Vertical three module, surface mounted rain cover(Black)
	VTM28R4	Vertical two*2 modules in parallel, surface mounted rain cover(Black)
	VTM29R6	Vertical two*3 modules in parallel, surface mounted rain cover(Black)
	VTM30R2	Vertical two modules with vertical rod, the cable goes out,It has the function of receiving the cable(Black)
	VTM79	Mounting box for 1 module
	VTM127	Mounting box for 2 modules
	VTM128	Mounting box for 3 modules
	VTM78	Front panel for 1 module(Black)
Power Supply	DHI-VTNS2003B-2-A	2-wire Switch
	DHI-VTNS1001B-2-A	2-wire Switch
	VTM25P2	Front panel for 2 modules(Black)
	VTM24P3	Front panel for 3 modules(Black)

## Installation



Dimensions (mm[inch])





## Application

