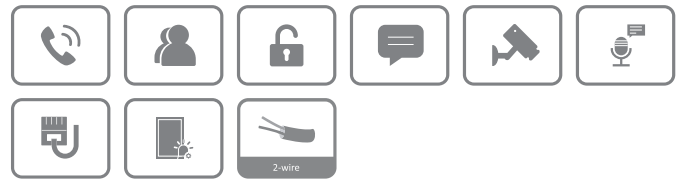


DHI-VTH8642KMS-W

2-wire IP & Wi-Fi Indoor Monitor



- Elegant alluminum alloy design.
- Built-in Linux OS.
- 10" capacitive touch screen, 1024 × 600.
- Displays the camera's image when it receives a call from the door station.
- 6-channel wired alarm zone.
- Sends messages to the management center.
- Wi-Fi connection.
- High-performance speaker and microphone that produces high-quality voice calls.
- 2-wire digital communication.
- H.265 and H.264 video decoding.
- Customizable Do Not Disturb mode.



Technical Specification

System

Main Processor	Embedded processor
Operating System	Embedded Linux operating system
Interoperability	ONVIF; SDK
Network Protocol	RTSP; RTP; SIP; DNS; SSH

Basic

Screen Type	Capacitive touchscreen
Display	10" TFT
Screen Resolution	1024 × 600
Audio Compression	G.711a; G.711u; PCM
Audio Input	1
Audio Output	Built-in speaker
Audio Mode	2-way Audio
Audio Enhancement	Echo suppression
Audio Bit Rate	16 kHz; 16 bit

Function

Communication Mode	Digital 2-wire
Information Release	Receive and view text information released by the management center
Leave Videos	Yes (insert an SD card into the indoor monitor)
DND Mode	Do not disturb period can be set; Do not disturb mode

Number of Extensions	Villa: 3 Apartment: 2 Wi-Fi intercom: 1 main monitor, 2 extension monitors
Wi-Fi	Yes
Wireless Standard	IEEE802.11b/802.11g/802.11n
Wireless Frequency Range	2,412–2,472 MHz
Max Transmission Power	≤20 dBm@2400-2483.5 MHz
Wireless Security Encryption	WPA/WPA2; WPA-PSK/WPA2-PSK
Storage	Micro SD card (up to 64 GB)

Performance

Casing	Metal
--------	-------

Alarm

SOS	Yes
-----	-----

Port

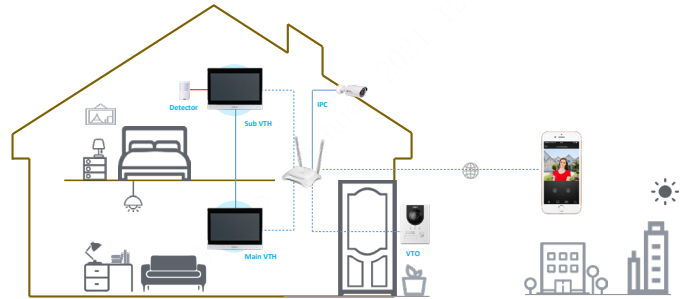
RS-485	1
Alarm Input	6
Alarm Output	1
Door Bell	Yes (use any alarm input port)
Network	One two-wire port and one 10Mbps/100Mbps Ethernet port (one of them can be selected)

General

Color	Silver
-------	--------

Power Supply	48 VDC 1.25 A
Installation	Surface Mount
Certifications	CE; FCC
Dimensions	250 mm × 190 mm × 23.5 mm (9.84" × 7.48" × 0.93")
Operating Temperature	-10°C to +55°C (+14°F to 131°F)
Operating Humidity	10%–95% RH (non-condensing)
Operating Altitude	Beneath 3000 m (9842.52 ft)
Power Consumption	Standby ≤ 3 W; working ≤ 7 W
Net Weight	0.67 kg (1.47 lb)
Gross Weight	0.85 kg (1.87 lb)

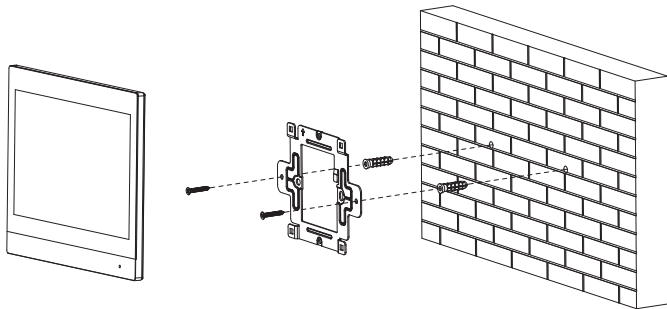
Application



Ordering Information

Type	Model	Description
IP Indoor Monitor	DHI-VTH8642KMS-W	2-wire IP & Wi-Fi Indoor Monitor

Installation



Dimensions (mm[inch])

