

# DHI-KTA02M-V2

## Video Intercom KIT



- 7" TFT screen
- Video intercom function: Unlock, voice call, video call, volume adjustment, doorway monitoring
- System Capacity: 2 door stations + 3 indoor monitors
- Multiple bell sounds
- Support digital wide dynamic range (DWDR)

### Technical Specification

DHI-VTH1020J

#### System

Button Type	Touch button
-------------	--------------

#### Basic

Display	7.0" TFT
Resolution	1024 × 600
Indicator Light	1 indicator light; Green: Power on

#### Function

Communication Method	Analog
----------------------	--------

#### Performance

Casing	PC + ABS
--------	----------

#### General

Color	White
Power Supply	DC 12V/1A
Power Adapter	Included
Installation	Surface mount
Certifications	CE/FCC
Accessory	Bracket (included) 5 m (16.40 ft) cable (included)
Dimensions	133.90 mm × 182.70 mm × 17.70 mm (5.27" × 7.19" × 0.70")
Operating Temperature	-10°C to +55°C (+14°F to +131°F)
Operating Humidity	10%RH–95%RH
Power Consumption	≤ 2W (standby) ≤ 5W (working)
Net Weight	0.25 kg (0.55 lb)
Gross Weight	0.48 kg (1.05 lb)

DHI-VTO1000JM

#### System

Button Type	Mechanical
-------------	------------

#### Basic

Camera	1/4" 1.3 MP CMOS
Field of View	Horizontal: 70° Vertical: 40°
WDR	DWDR
Illuminator Type	Auto IR
Day/Night	ICR auto switch
Audio Input	1 channel to the microphone; pickup distance 0.5 m
Audio Output	1 channel to the speaker
Indicator Light	1 indicator light; Green: Power on

#### Function

Communication Method	Analog
Unlock Mode	Remote unlock

#### Performance

Casing	ADC12
--------	-------

#### Port

Unlock Button	1
Door Status Detection	1

#### General

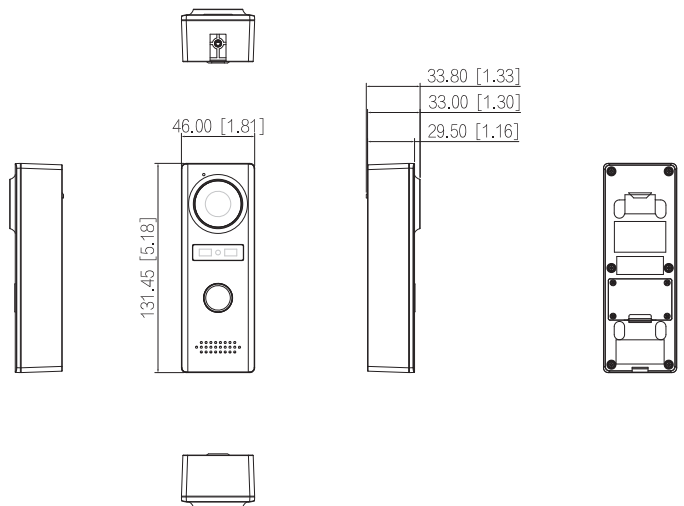
Color	Black
Power Supply	Powered by indoor monitor
Installation	Surface mount
Certifications	CE/FCC

# Video Intercom KIT | DHI-KTA02M-V2

## DHI-VTO1000JM

Accessory	Rain cover (included) 5 m cable (included in kit)
Dimensions	131.45 mm × 46.00 mm × 33.80 mm (5.18" × 1.81" × 1.33")
Protection Grade	IK07;IP66 (Apply silicon sealant to gaps between the device and the wall. Liquid sodium silicate is recommended. For details, see the quick start guide.)
Operating Temperature	-30°C to +60°C (-22°F to +140°F)
Operating Humidity	10%RH–95%RH
Power Consumption	≤ 1W (standby) ≤ 3W (working)
Net Weight	0.18 kg (0.40 lb)
Gross Weight	0.40 kg (0.84 lb)

## DHI-VTO1000JM

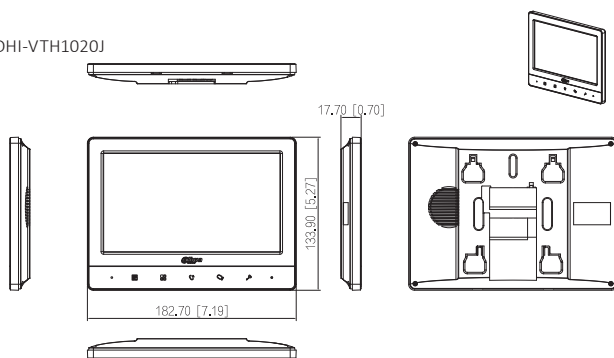


## Ordering Information

Type	Model	Description
Video Intercom Kit	DHI-KTA02M-V2	Video intercom Kit
Inclined Bracket	VTM22A	Horizontally Inclined Bracket
Inclined Bracket	VTM23A	Vertically Inclined Bracket

## Dimensions (mm[inch])

### DHI-VTH1020J



## Application

