

DHI-ARM9A4-P-W2

Dahua Wireless Multi IO Transmitter



- Connection to Hub through RF or network communication.
- 16 alarm inputs, 4 relay outputs.
- 2 auxiliary power outputs with a maximum power of 24W for powering wired detector and siren, and support overload and short circuit detection.
- POE, AC power and rechargeable battery (optional) three power supply options.

Series Overview

The Wireless Multi IO Transmitter allows for seamless connectivity with the Alarm Hub both through wireless radio frequency and a wired network. It serves as a bridge connecting the Alarm Hub to the existing wired detector and siren, so that triggered alarms are sent to the Alarm Hub from the wired detector, and the alarm hub then sends commands to the siren. This enables you to easily incorporate your old wired detectors and sirens into the new wireless alarm system, which significantly reduces the cost of modifications.

Technical Specification

Port

Alarm Input	Supports local 16-channel alarm input, 1 to 6 channels support pulse detection, and 1 to 16 channels support OEOL/EOL/2EOL/3EOL
Alarm Output	Supports 4 local channels(Max 30 VDC, 3A)
Network Mode	Ethernet
Network Port	1 × RJ-45 10/100 Mbps Ethernet port; PoE power supply
Auxiliary Power Output	2 built-in auxiliary output, 14.5V, total 1 A (PoE), 2 A (Non PoE)

Function

Indicator Light	One indicator (indicator status)
Button	1 × switch button, 1 × reset button
Remote Update	Supports cloud update
Low Battery Detection	Yes
Tamper	Yes

Technical

LED Indicator	1 × indicator
Scenario	Indoors

Wireless

Carrier Frequency	433 MHz
Transmitter Power (EIRP)	limit 10 mW
Communication Mechanism	Two-way
Communication Distance	RF: Up to 1,200 m (3937.0 ft) in an open space
Encryption Mode	AES128
Frequency Hopping	Yes

General

Power Supply	100-240 VAC, PoE (802.3at)
Power Supply Type	Type A
Standby Time	Static standby: Up to 30 hrs
Low Battery Threshold	11,000 mV
Battery Restore Threshold	12,000 mV
Power Consumption	220 VAC quiescent current (40 mA Irms) 220 VAC max current@2Aload + charge (315 mA Irms) POE quiescent current (125mA) POE max current@0.75Aload + charge (612 mA)
Operating Temperature	-10 °C to +50 °C (+14 °F to +122 °F)
Operating Humidity	10%–90%
Product Dimensions	304 mm × 235 mm × 90.8 mm (11.97" × 9.25" × 3.57")
Net Weight	1.22 kg (2.69 lb)
Gross Weight	1.78 kg (3.92 lb)
Installation	Wall mount
Casing Material	PC + ABS
Appearance Color	White
Protection	IP30
Certifications	CE

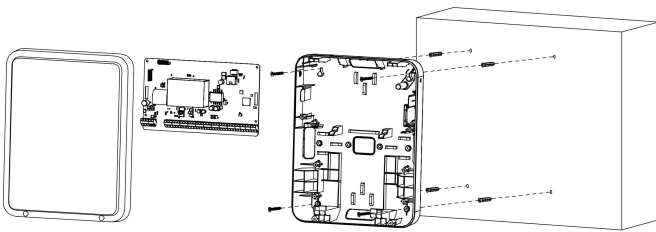
I/O Expansion Module | DHI-ARM9A4-P-W2

Anti-corrosion Level	Basic Protection
Storage Temperature	-10 °C to +55 °C (+14 °F to +131 °F)
Storage Humidity	10%–90%
Packaging Dimensions	Standalone packaging: 269 mm × 140 mm × 280 mm (10.59" × 0.55" × 11.02") (L × W × H) Protective case packaging: 585 mm × 443 mm × 399 mm (23.03" × 17.44" × 15.71") (L × W × H)

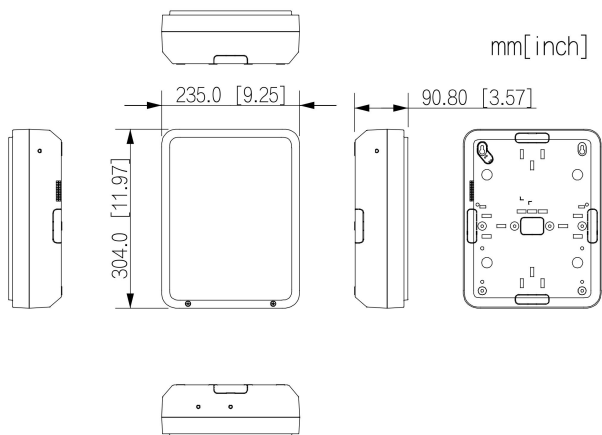
Ordering Information

Type	Model	Description
Wireless Multi IO Transmitter	DHI-ARM9A4-P-W2	Dahua Wireless Multi IO Transmitter

Installation



Dimensions (mm[inch])



Application

