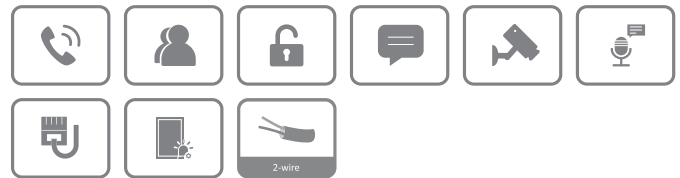


DHI-VTH5422HW-W/DHI-VTH5422HB-W

2-wire IP & Wi-Fi Indoor Monitor



- 7" TFT capacitive touchscreen, 1024 × 600
- 6-channel alarm input and 1-channel alarm output
- Wi-Fi
- Door station and IPC monitor
- H.265 and H.264 video decoding
- 2-wire digital communication



Technical Specification

System

Main Processor	Embedded processor
Operating System	Embedded Linux operating system
Interoperability	ONVIF; SDK
Network Protocol	RTSP; RTP; SIP; DNS; SSH

Basic

Screen Type	Capacitive touchscreen
Display	7" TFT
Screen Resolution	1024 × 600
Audio Compression	G.711a; G.711u; PCM
Audio Input	1
Audio Output	Built-in speaker
Audio Mode	2-way Audio
Audio Enhancement	Echo suppression
Audio Bit Rate	16 kHz; 16 Bit

Function

Communication Mode	Digital 2-wire
Information Release	Receive and view text information released by the management center
Leave Videos	Yes (insert an SD card into the indoor monitor)
DND Mode	Do not disturb period can be set; Do not disturb mode

Number of Extensions	Villa: 3 Apartment: 2 Wi-Fi intercom: 1 main monitor, 2 extension monitors
Wi-Fi	Yes
Wireless Standard	IEEE802.11b/802.11g/802.11n
Wireless Frequency Range	2,412–2,472 MHz
Max Transmission Power	≤20 dBm@2400–2483.5 MHz
Wireless Security Encryption	WPA/WPA2; WPA-PSK/WPA2-PSK
Storage	Micro SD card (up to 64 GB)

Performance

Casing	PC + ABS
--------	----------

Port

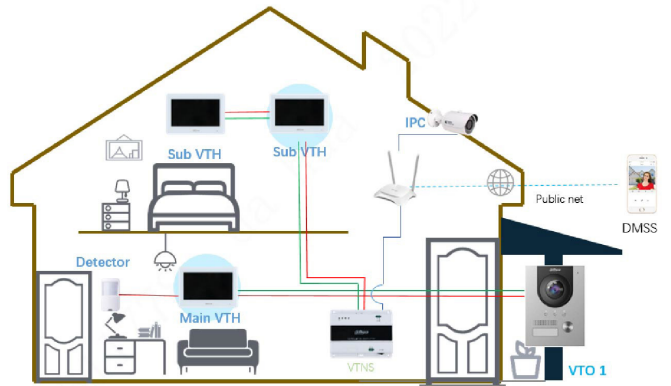
RS-485	1
Alarm Input	6
Alarm Output	1
Power Output	1 (12 V/200 mA)
Door Bell	Yes (use any alarm input port)
Network	One two-wire port and one 10 Mbps/100 Mbps Ethernet port (one of them can be selected)

General

Appearance Color	White/Black
Power Supply	48 VDC 1.25 A
Installation	Surface mount
Certifications	CE; FCC

Dimensions	189.0 mm × 130.0 mm × 26.9 mm (7.44" × 5.12" × 1.06")
Operating Temperature	-10 °C to +55 °C (+14 °F to 131 °F)
Operating Humidity	10%-95% RH (non-condensing)
Operating Altitude	Beneath 3000 m (9842.52 ft)
Power Consumption	Standby ≤ 2 W; working ≤ 6 W
Net Weight	0.35 kg (0.78 lb)
Gross Weight	0.56 kg (1.23 lb)

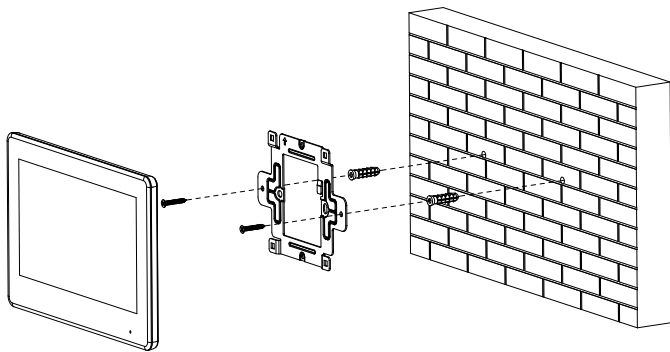
Application



Ordering Information

Type	Model	Description
IP Indoor Monitor	DHI-VTH5422HW-W/ DHI-VTH5422HB-W	2-wire IP & Wi-Fi Indoor Monitor

Installation



Dimensions (mm[inch])

