

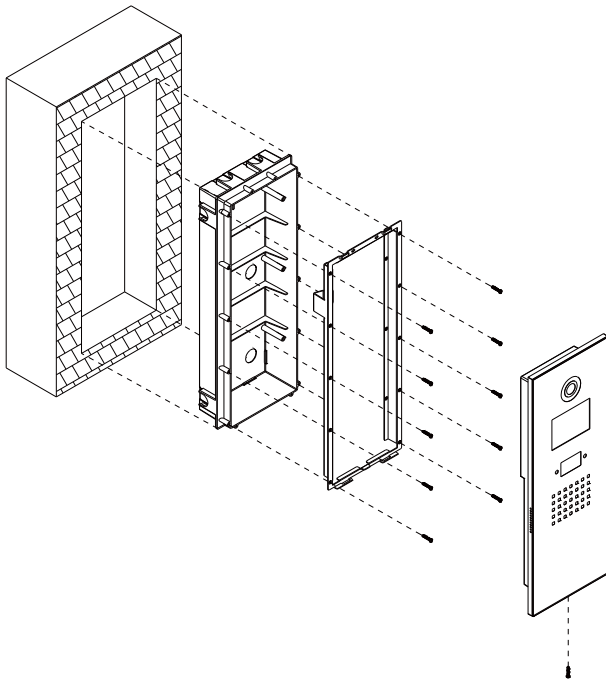
# VTOB102

## VTOB102+Flush Mounted Box

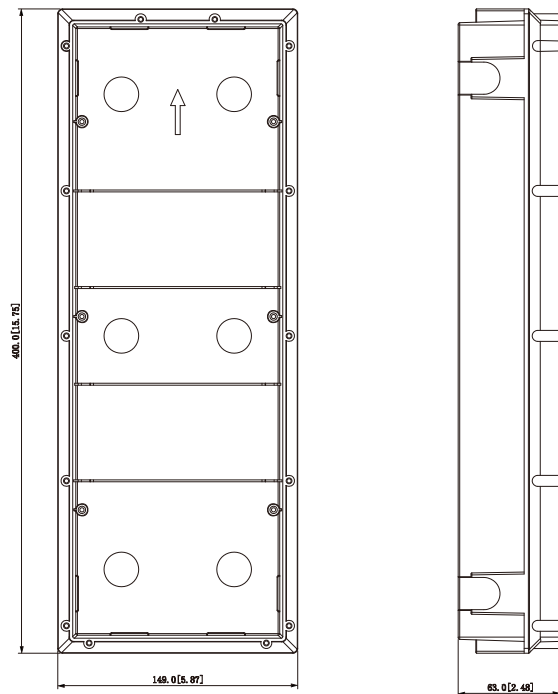


- Material: Flame Retardant ABS +PC
- Dimensions: 149.0mm×400.0mm×63.0mm (5.87"×15.75"×2.48")
- Wall Opening Dimensions: 149.0mm×400.0mm×63.0mm (5.87"×15.75"×2.48")

### Installation



### Dimensions (mm[inch])



- Step1** Embed the plastic flush mounting box into the wall.
- Step2** Connect cables, pass through the mounting bracket and connect the cables in walls.
- Step3** Fix the mounting bracket onto the box with ST3×18 screws.
- Step4** Fix the bare device onto mounting bracket with M3×16 screws.
- Step5** Apply glue between the bare device, box and wall.