

# DHI-VTH2621GW-WP

## IP Indoor Monitor



- 7" TFT capacitive touch screen, 1024 × 600
- 6-channel alarm input and 1-channel alarm output
- Wi-Fi
- Standard PoE
- Outdoor station and IPC monitor
- H.265 and H.264 video decoding
- High performance & cost-effective



### Technical Specification

#### System

Main Processor	Embedded processor
Operating System	Embedded Linux operating system
Network Protocol	IPv4; FTP; UPnP; SNMP; DNS; DDNS; RTSP; RTP; TCP; UDP; SIP

#### Basic

Screen Type	Capacitive Touchscreen
Display	7" TFT
Screen Resolution	1024 × 600
Audio Compression	G.711a; G.711u; PCM
Audio Input	1
Audio Output	Built-in speaker
Audio Mode	2-way voice communication
Audio Enhancement	Echo suppression
Audio Bit Rate	16 kHz; 16 Bit

#### Function

Communication Mode	Full digital
Information Release	Receive and view text information released by the management center
DND Mode	Do not disturb period can be set; Do not disturb mode
Number of Extensions	Villa: 9 Apartment: 4
Wi-Fi	Yes
Wireless Standard	IEEE802.11b/802.11g/802.11n
Wireless Frequency Range	2.4 GHz

#### Performance

Casing	PC + ABS
--------	----------

#### Port

Alarm Input	6
Alarm Output	1
Power Output	1 (12 V/200 mA)
Door Bell	Yes (use any alarm input port)
Network	One 10/100 Mbps Ethernet
Network	One 10 Mbps/100 Mbps Ethernet

#### Alarm

SOS	Yes
-----	-----

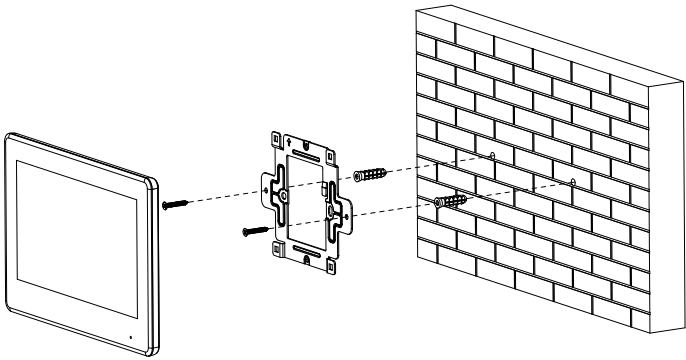
#### General

Color	White
Power Supply	12 VDC 1A; Standard PoE (36–57 V, 0.35 A)
Installation	Surface Mount
Certifications	CE; FCC
Accessory	Bracket and alarm ribbon cable (included)
Dimensions	189.6 mm × 134.6 mm × 26.0 mm (7.50" × 5.30" × 1.00")
Operating Temperature	–10 °C to +55 °C (+14 °F to 131 °F)
Operating Humidity	10%–95% RH (non-condensing)
Operating Altitude	Beneath 3,000 m (9,842.52 ft)
Power Consumption	Standby ≤ 2W; working ≤ 6W

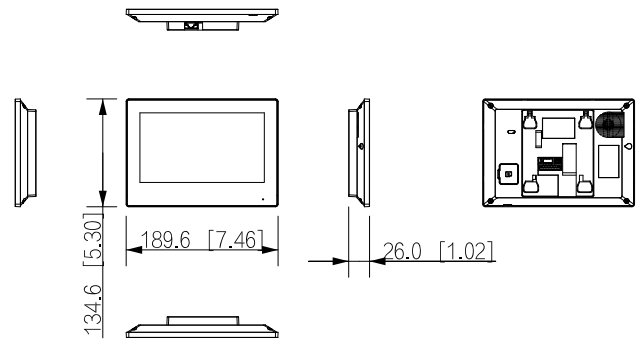
Net Weight	335 g (0.74 lb)
Gross Weight	575 g (1.27 lb)
Gross Weight	575 g (1.27 lb)

Ordering Information		
Type	Model	Description
IP Indoor Monitor	DHI-VTH2621GW-WP	IP & Wi-Fi Indoor Monitor

### Installation



### Dimensions (mm[inch])



### Application

