

# DH-SD65F230IA-HC

2MP 30x Starlight PTZ HDCVI Camera



- 1/1.9" 2Megapixel CMOS
- Powerful 30x optical zoom
- Starlight technology
- Max. 25/30fps@1080P, 25/30/50/60fps@720P
- IP67,IK10



## System Overview

Featuring with powerful optical zoom and accurate pan/tilt/zoom performance, this series provides an all-in-one solution for capturing long distance video surveillance for outdoor applications. With its Starlight Technology, the camera is the perfect solution for lowlight applications. The series combines a day/night mechanical IR cut filter for the highest image quality for variable lighting conditions during the day and True WDR for applications with direct sunlight or glare.

## Functions

### Starlight Technology

Featuring Dahua's Starlight Technology, this camera is ideal for applications with challenging lighting conditions. Its low-light performance delivers usable video with minimal ambient light. Even in extreme low-light conditions, Starlight Technology is capable of delivering color images in near complete darkness (0.002 lux).

### Wide Dynamic Range

Embedded with industry leading wide dynamic range (WDR) technology, vivid pictures are achieved even in the most intense contrast lighting conditions. For applications with both bright and low lighting conditions that change quickly, True WDR (120dB) optimizes both the bright and dark areas of a scene at the same time to provide usable video.

## Environmental

With a temperature range of -40 °C to +70 °C (-40 °F to +158 °F), the camera is designed for extreme temperature environments. The camera complies an IK10 impact rating. Subjected and certified to rigorous dust and water immersion tests, the IP67 rating makes it suitable for demanding outdoor applications.

## Protection

Supporting ±25% input voltage tolerance, this camera suits even the most unstable conditions for outdoor applications. Its 8KV lightning rating provides protection against the camera and its structure from the effects of lightning.

## Technical Specification

### Camera

Image Sensor	1/1.9" CMOS
Effective Pixels	1920(H) x 1080(V), 2 Megapixels
Scanning System	Progressive
Electronic Shutter Speed	PAL: 1/3s~1/30,000s NTSC: 1/4s~1/30,000s
Minimum Illumination	Color: 0.002Lux@F1.5; B/W:0.0002Lux@F1.5
S/N Ratio	More than 56dB
IR Distance	N/A
IR On/Off Control	N/A
IR LEDs	N/A

### Lens

Focal Length	6mm~180mm
Max. Aperture	F1.5~ F4.3
Angle of View	H: 61.2° ~ 2.1°
Optical Zoom	30x
Focus Control	Auto/Manual
Close Focus Distance	10mm ~ 1500mm

### DORI Distance

\*Note: The DORI distance is a "general proximity" of distance which makes it easy to pinpoint the right camera for your needs. The DORI distance is calculated based on sensor specification and lab test result according to EN 62676-4 which defines the criteria for Detect, Observe, Recognize and Identify respectively.

Detect	Observe	Recognize	Identify
1920m(6299ft)	768m(2520ft)	384m(1260ft)	192m(630ft)

### PTZ

Pan/Tilt Range	Pan: 0° ~ 360° endless; Tilt: -20° ~ 90°, auto flip 180°
Manual Control Speed	Pan: 0.1° ~ 300° /s; Tilt: 0.1° ~ 150° /s
Preset Speed	Pan: 600° /s; Tilt: 500° /s
Presets	300
PTZ Mode	5 Pattern, 8 Tour, Auto Pan ,Auto Scan
Speed Setup	Human-oriented focal Length/ speed adaptation
Power up Action	Auto restore to previous PTZ and lens status after power failure
Idle Motion	Activate Preset/ Scan/ Tour/ Pattern if there is no command in the specified period
Protocol	DH-SD, Pelco-P/D (Auto recognition)

### Video

Resolution	1080P(1920x1080)/720P(1280x720)
Frame Rate	25/30fps@1080P, 25/30/50/60fps@720P

Video Output	1-channel BNC high definition video output/ CVBS standard definition video output (switchable)
Day/Night	Auto(ICR) / Color / B/W
OSD Menu	Support
Backlight Compensation	BLC / HLC / WDR (120dB)
White Balance	Auto, ATW, Indoor, Outdoor, Manual
Gain Control	Auto / Manual
Noise Reduction	Ultra DNR (2D/3D)
Digital Zoom	16x
Flip	180°
Privacy Masking	Up to 24 areas

### Certifications

Certifications	CE: EN55032/EN55024/EN50130-4 FCC: Part15 subpartB,ANSI C63.4- 2014 UL: UL60950-1+CAN/CSA C22.2.No.60950-1
----------------	--

### Interface

Video Interface	1
Audio Interface	1 channel in
RS485	1
Alarm I/O	2/1

### Electrical

Power Supply	AC24V/3A(±25%)
Power Consumption	13W, 20W (Heater on)

### Environmental

Operating Conditions	-40°C ~ 70°C (-40°F ~ +158°F) / Less than 95% RH
Ingress Protection	IP67
Vandal Resistance	IK10

### Construction

Casing	Metal
Dimensions	Φ242(mm) x 341 (mm)
Net Weight	4.5kg(9.92lb)
Gross Weight	8.25kg(18.19lb)

**Ordering Information**

Type	Part Number	Description
2MP PTZ Camera	DH-SD65F230IA-HC	2MP 30x Starlight PTZ HDCVI Camera, WDR, PAL
	DH-SD65F230IAN-HC	2MP 30x Starlight PTZ HDCVI Camera, WDR, NTSC
	SD65F230IA-HC	2MP 30x Starlight PTZ HDCVI Camera, WDR, PAL
	SD65F230IAN-HC	2MP 30x Starlight PTZ HDCVI Camera, WDR, NTSC
Accessories	PFB303W	Wall Mount
	PFA111	Mount Adapter
	AC24V/3A	Power Adapter
	PFA140	Power Box
	PFB300C	Ceiling Mount
	PFA120	Junction Box
	PFA150	Pole Mount
	PFA151	Corner Mount
PFB303S	Parapet Mount	

**Accessories**

Included:



PFB303W  
Wall Mount



PFA111  
Mount Adapter



AC24V/3A  
Power Adapter

Optional:



PFA140  
Power Box



PFB300C  
Ceiling Mount



PFA120  
Junction Box



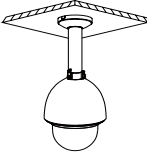
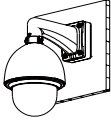
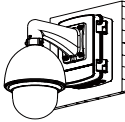
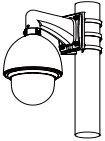
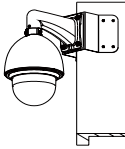
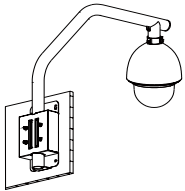
PFA150  
Pole Mount



PFA151  
Corner Mount



PFB303S  
Parapet Mount

Ceiling Mount	Junction Mount
PFA111 + PFB300C	PFA111 + PFB303W + PFA120
	
Power Box Mount	Pole Mount
PFA111 + PFB303W + PFA140	PFA111 + PFB303W + PFA150
	
Corner Mount	Parapet Mount
PFA111 + PFB303W + PFA151	PFA111 + PFB303S
	

**Dimensions (mm)**

