

DH-SD6C430U-HN

4Mp Full HD 30x Network IR PTZ Dome Camera



Features

- 30x optical zoom
- H.265&H.264 Encoding, Ultra-low bit rate transmission
- Max. 25/30fps@4M(2592×1520) & 50/60fps@1080P resolution
- WDR, Day/Night(ICR), Ultra DNR, Auto iris, Auto focus
- Multiple network monitoring: Web viewer, CMS(DSS/PSS) & DMSS
- Max 400°/s pan speed, 360° endless pan rotation
- Up to 300 presets, 5 auto scan, 8 tour, 5 pattern
- Built-in 2/1 alarm in/out
- Support intelligent 3D positioning with DH-SD protocol
- Micro SD memory, IP66
- IR Distance up to 150m(AC24V)

DH-SD6C430U-HN

Technical Specifications

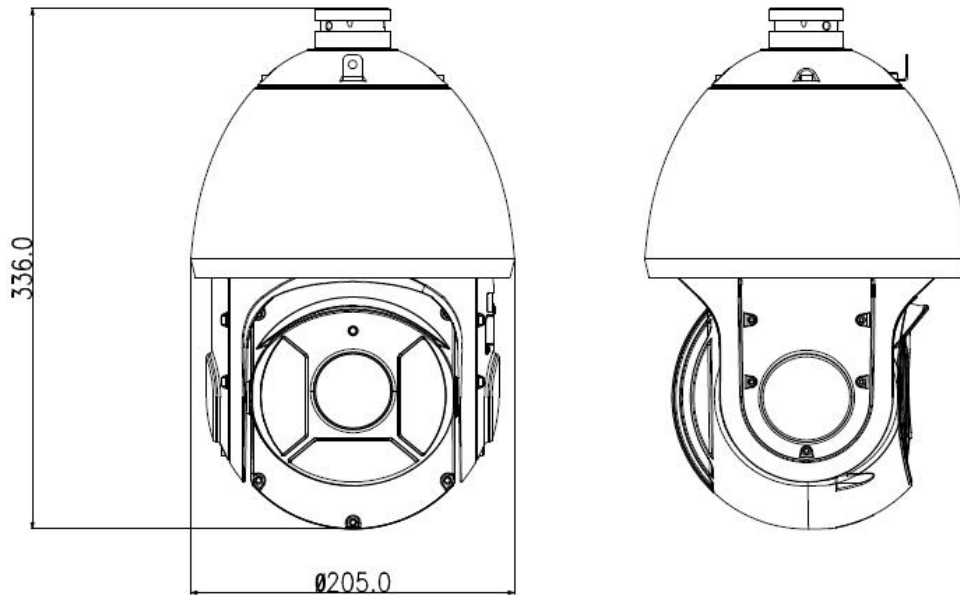
Model	DH-SD6C430U-HN	
Camera		
Image Sensor	1/3" Color CMOS	
Effective Pixels	2688(H) x 1520(V) 4Mp	
Scanning System	Progressive	
Electronic Shutter Speed	1/3 ~ 1/30,000s	
Min. Illumination	Color: 0.05Lux@F1.6; B/W: 0.005Lux@F1.6	
S/N Ratio	More than 50dB	
Video Output	BNC(1.0Vp-p/75Ω), PAL / NTSC	
Camera Features		
Day/Night	Auto(ICR) / Color / B/W	
Backlight Compensation	BLC / HLC / WDR	
White Balance	Auto, ATW, Indoor, Outdoor, Manual	
Gain Control	Auto / Manual	
Noise Reduction	Ultra DNR (2D/3D)	
Privacy Masking	Up to 24 areas	
Digital Zoom	16x	
Lens		
Focal Length	4.5mm ~ 135.0mm (30x Optical zoom)	
Max Aperture	F1.6~F4.4	
Focus Control	Auto / Manual	
Angle of View	H:60° ~ 2.4°	
Close Focus Distance	100mm~ 1500mm	
PTZ		
Pan/Tilt Range	Pan: 0° ~ 360° endless; Tilt: -15° ~ 90°, auto flip 180°	
Manual Control Speed	Pan: 0.1° ~ 160° /s; Tilt: 0.1° ~ 120° /s	
Preset Speed	Pan: 240° /s; Tilt: 200° /s	
Preset	300	
PTZ Mode	5 Pattern, 8 Tour, Auto Pan, Auto Scan	
Speed Setup	Human-oriented focal length/ speed adaptation	
Power up Action	Auto restore to previous PTZ and lens status after power failure	
Idle Motion	Activate Preset/ Pan/ Scan/ Tour/ Pattern if there is no command in the specified period	
IR Distance	150m	
Video		
Compression	H.265/H.264/ MJPEG	
Resolution	4M(2592×1520)/3M(2304×1296)/1080P(1920×1080)/ 1.3M(1280×960)/720P(1280×720) / D1(704×576/ 704×480) /CIF	
Frame Rate	Main Stream	4M(2592×1520)/3M(2304×1296)/1080P(1920×1080)/1.3M

DH-SD6C430U-HN




		(1280×960)/720P(1280×720)
	Sub Stream 1	D1/CIF(1 ~ 25/30fps)
	Sub Stream 2	1080P /960P/720P(1 ~ 25/30fps)
Bit Rate		H.265/H.264: 192K ~ 8192Kbps, MJPEG: 192K ~ 2048Kbps
Audio		
Compression		G.711a / G.711u(32kbps)/ PCM(128kbps)
Interface		1/1 channel In/Out
Network		
Ethernet		RJ-45 (10/100Base-T)
Protocol		IPv4/ IPv6, HTTP, HTTPS, SSL, TCP/IP, UDP, UPnP, ICMP, IGMP, SNMP, RTSP, RTP, SMTP, NTP, DHCP, DNS, PPPOE, DDNS, FTP, IP Filter, QoS, Bonjour, 802.1x
Compatibility		ONVIF PSIA CGI
Max. User Access		20 users
Smart Phone		iPhone, iPad, Android, Windows Phone
Auxiliary Interface		
Memory Slot		Micro SD, Max 64GB
Alarm		2/1 channel In/Out
General		
Power Supply		AC24V
Power Consumption		10.5W/26W, (IR on, Heater on)
Working Environment		AC24V: -40°C ~ 60°C / Less than 90% RH
Ingress Protection		IP66
Dimensions		Φ205.0(mm) x 336.0(mm)
Weight		5.0kg

DH-SD6C430U-HN

Dimensions (mm)



Accessories

		
PFB303W	PFA111	Power Supply

Accessories (Optional)

DH-SD6C430U-HN

						
PFB300C	PFA112	PFA113	PFB301S	PFA120	PFA150	PFA151

Dahua Technology Co., Ltd.

1199 BinAn Road, Binjiang District, Hangzhou, China

Tel: +86-571-87688883

Fax: +86-571-87688815

Email: overseas@dahuatech.com

www.dahuasecurity.com

*Design and specifications are subject to change without notice.

© 2014 Dahua Technology